

Sanitary Systems

**Roth Cariba CI BAF**

**Roth**


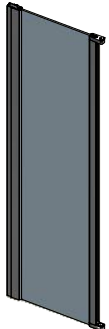
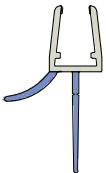
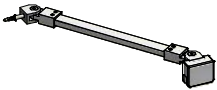
**Assembling Instruction**  
**Montageanleitung**  
**Notice de montage**  
**Montážní návod**

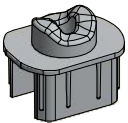


*Shower for life*



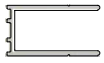
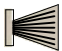



## CI BAF

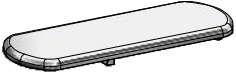
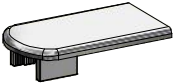
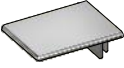









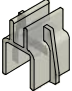
POS.	PREVIEW	PCS	SPARE PART
1.		1	ND02-0974-00-02 (VPE) ND02-0974-05-02 (NPE)
2.		1	ND03-0971-00-02 (VPE) FIX ND03-0971-05-02 (NPE)
3.		1	P6122
4.		1	MB0230 (VPE) MB2388 (NPE)
5.	ACCESSORIES	1	P6319 (VPE) P6990 (NPE)

POS.	PREVIEW	PCS	SPARE PART
1.1		2	MA9747 (VPE) MB2419 (NPE)

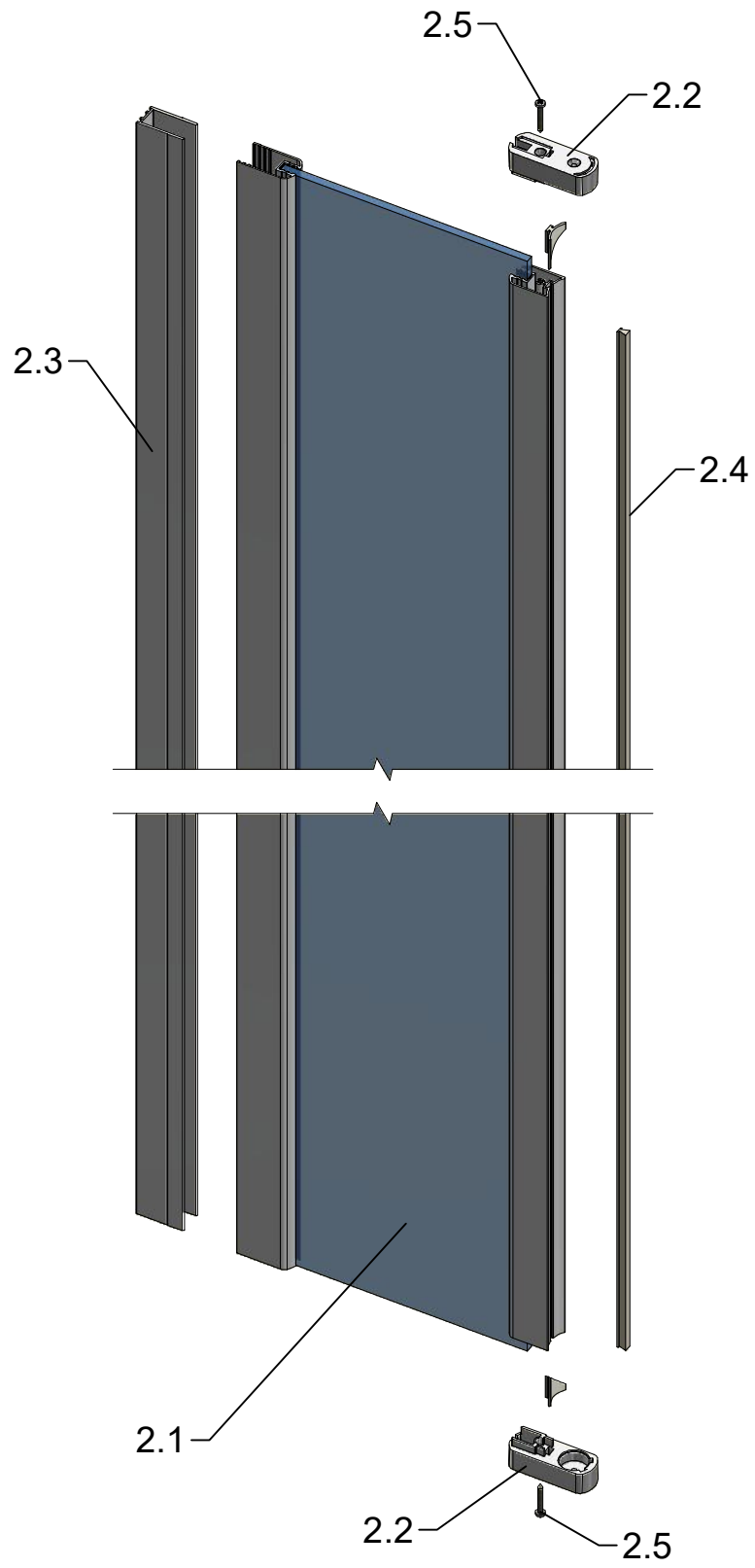
## 2. FIX

POS.	PREVIEW	PCS	SPARE PART
2.1		1	ND03-0971-00-02
2.2		2	MA9742 (VPE) MB2474 (NPE)
2.3		1	P5949 (VPE) P6983 (NPE)
2.4		1	ND01-3398
2.5		2	M3372

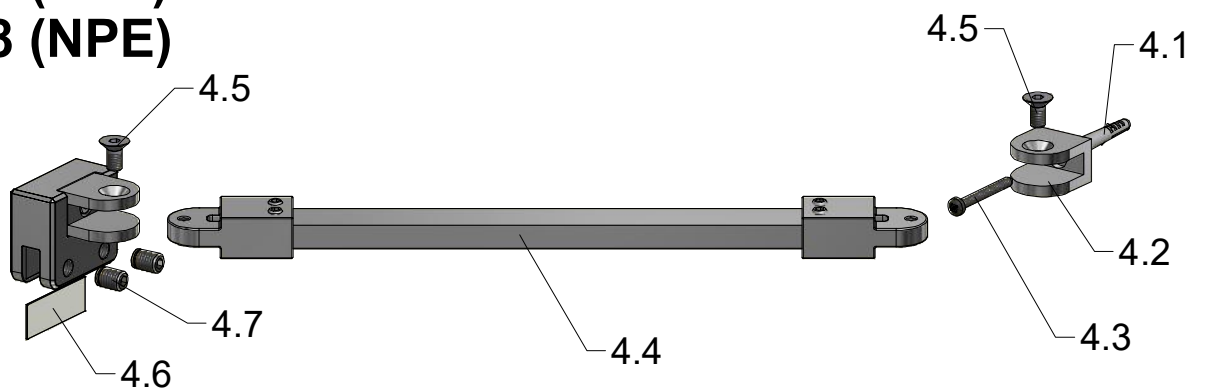
## 5. P6319 (VPE) P6990 (NPE)

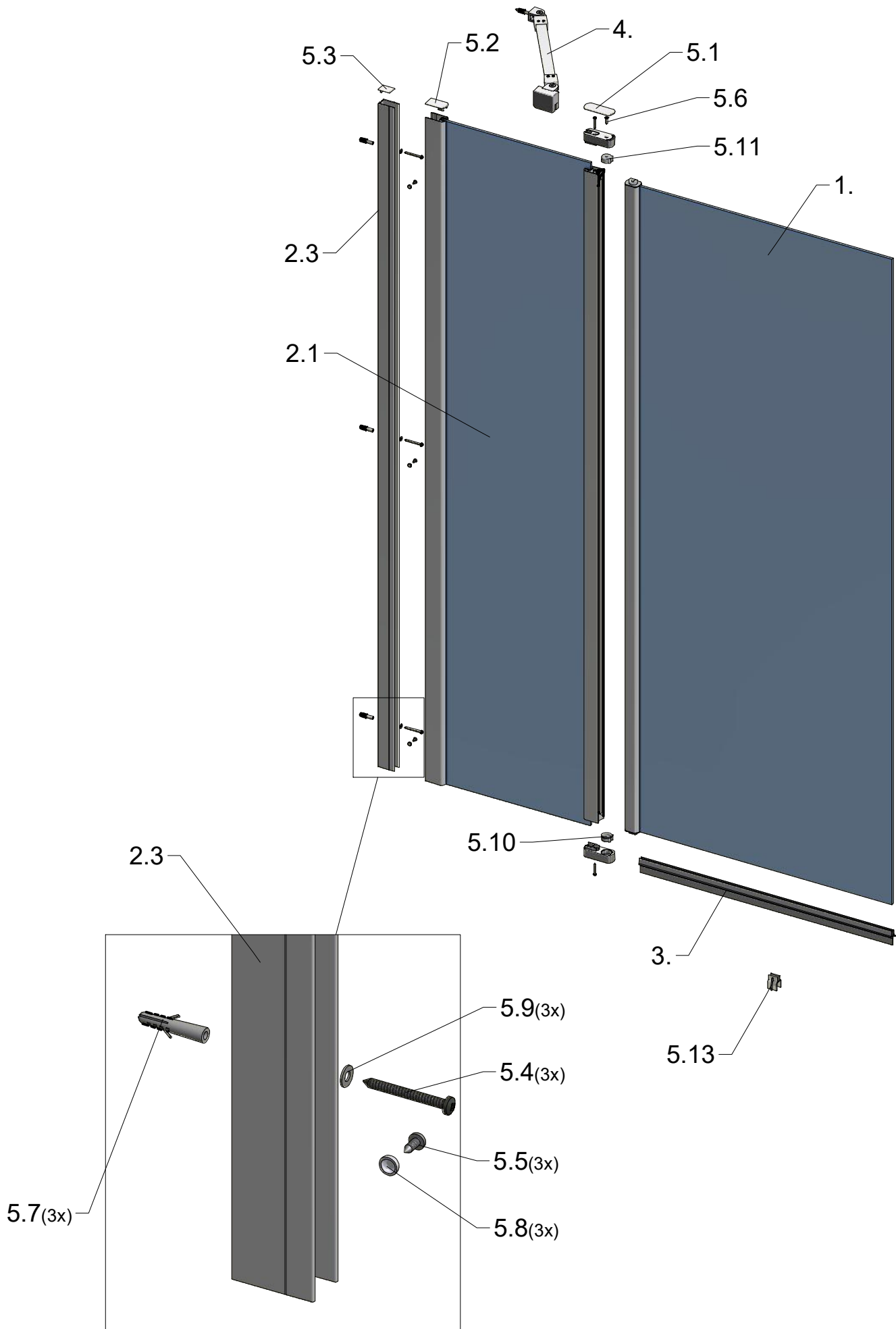
POS.	PREVIEW
5.1	
5.2	
5.3	
5.4	3x 
5.5	3x 
5.6	
5.7	3x 
5.8	3x 
5.9	3x 
5.10	
5.11	
5.12	
5.13	

## 2. FIX

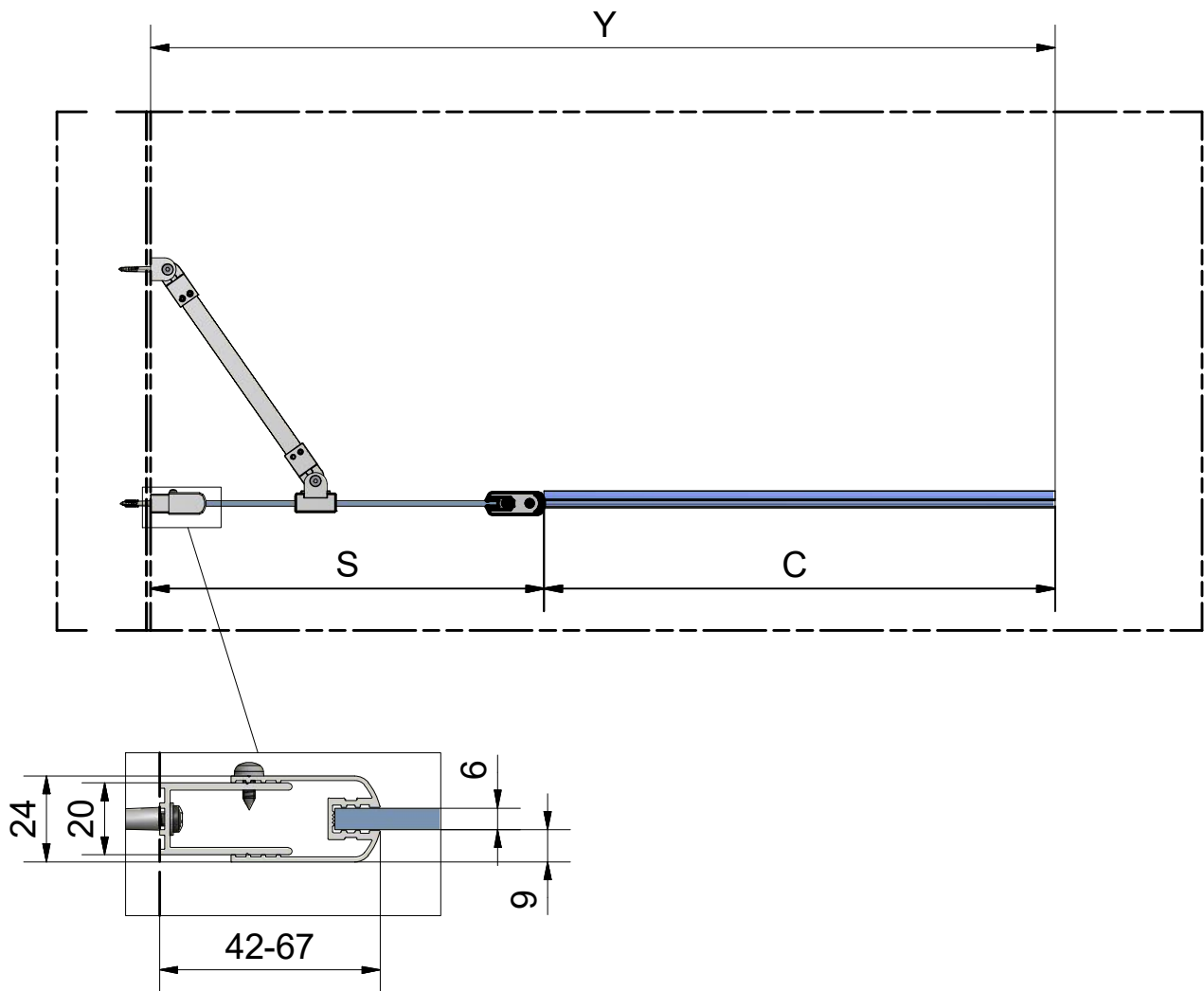


## 4. MB0230 (VPE) MB2388 (NPE)



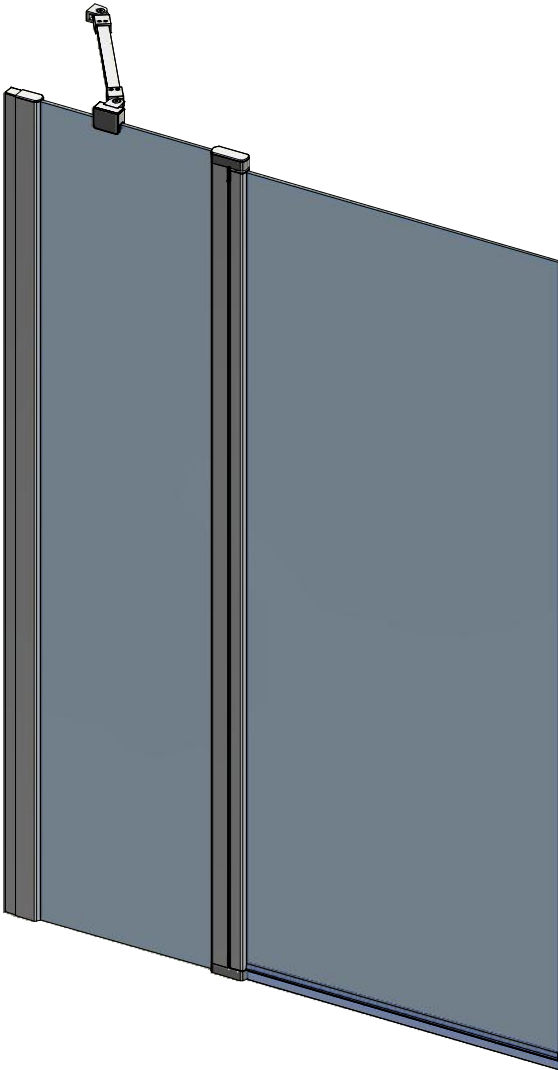


# CI BAF

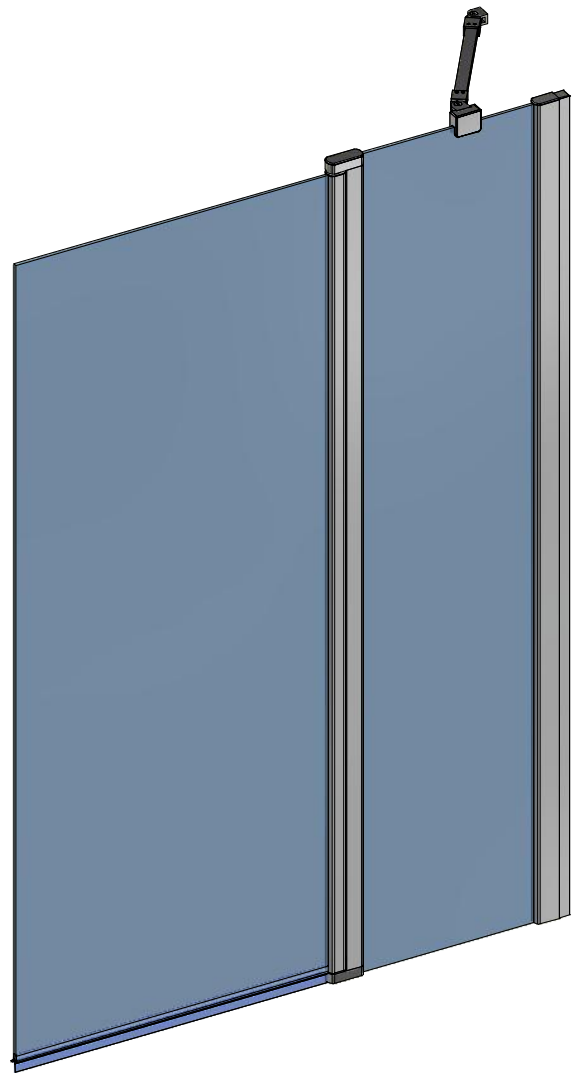


CI BAF				
ID	TYPE	Y (mm)	S (mm)	C(mm)
CI BAF 110150 VPE	1000	990-1015	420-445	570

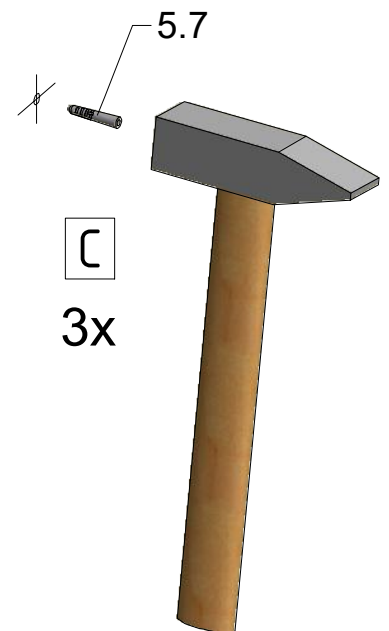
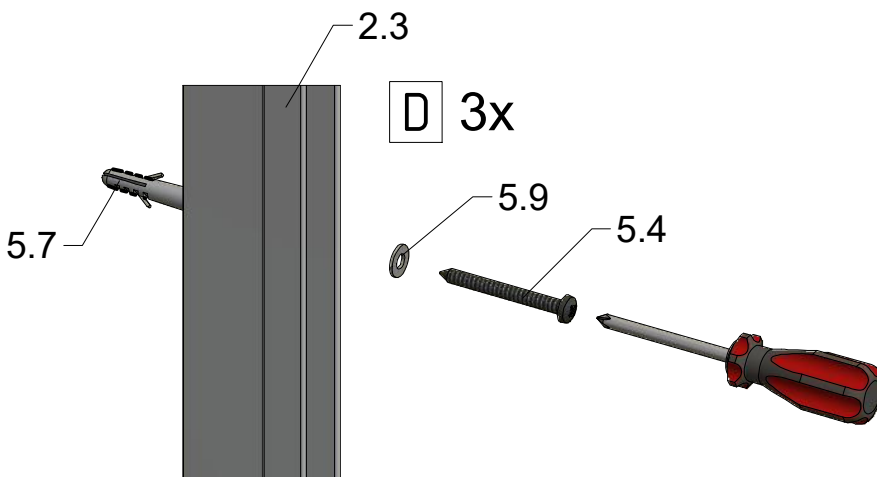
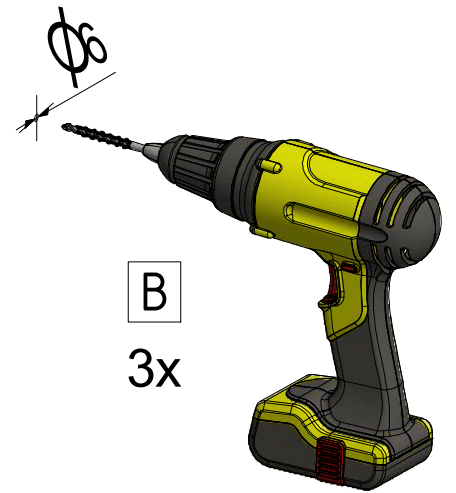
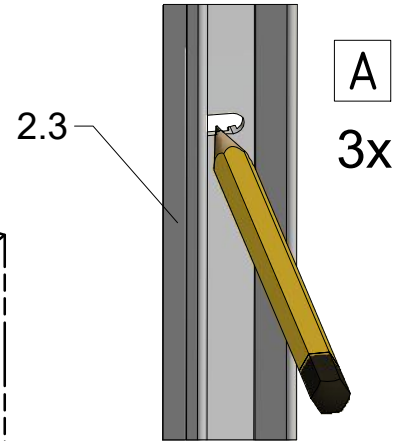
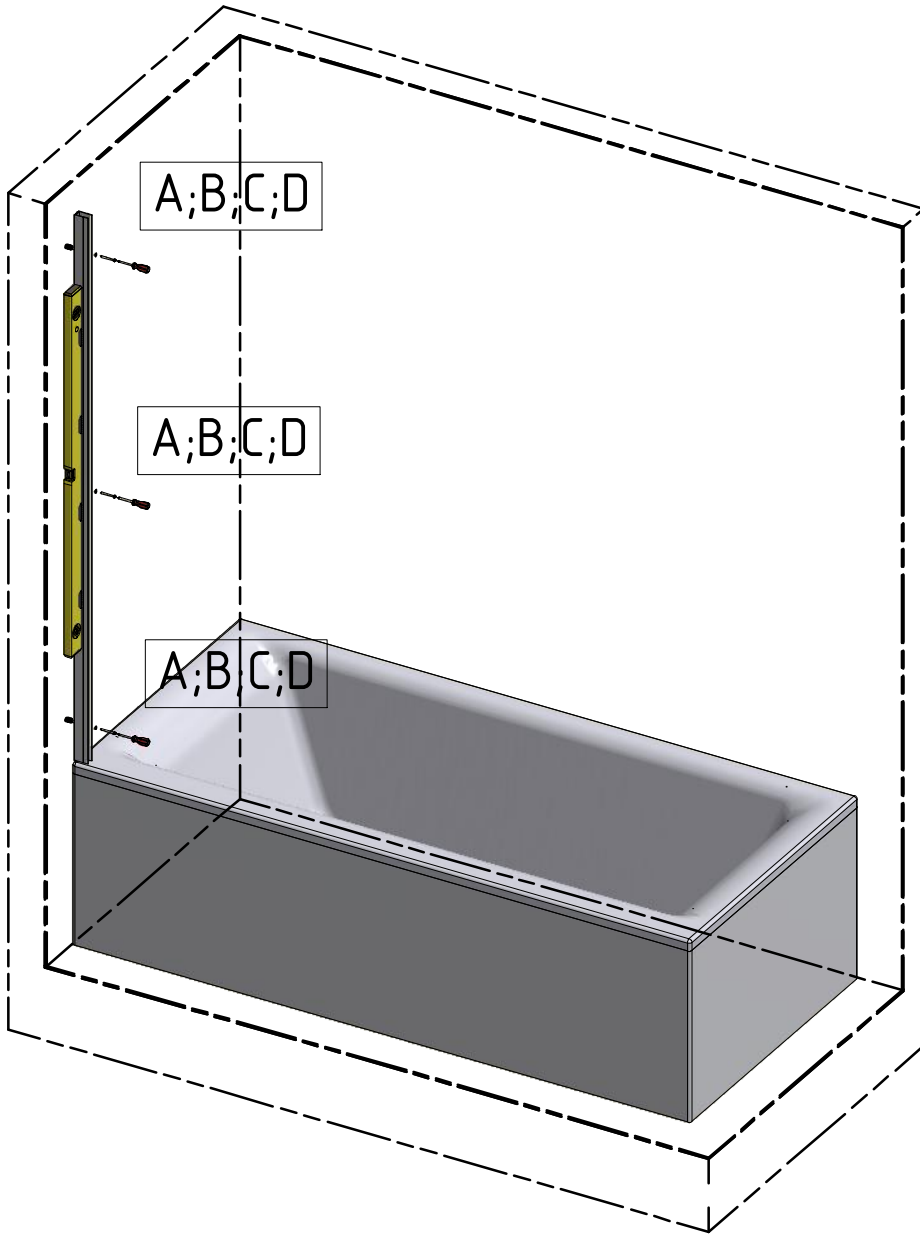
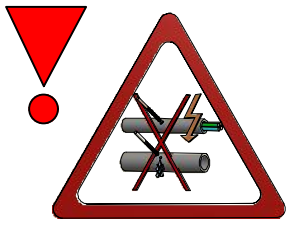
Next step in instructions is for left installation  
(for right installation - proceed in a mirror image)



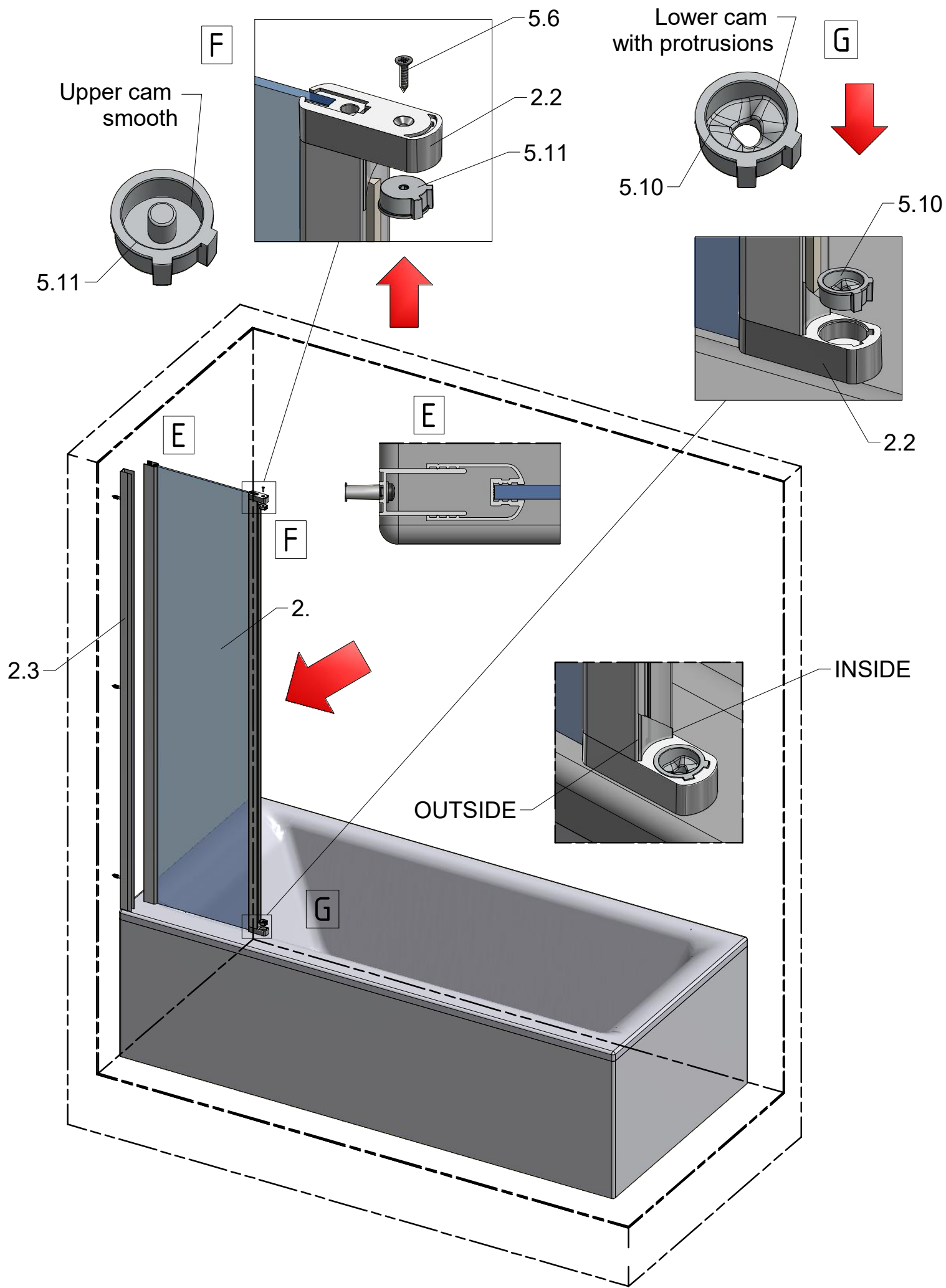
**LEFT Installation**

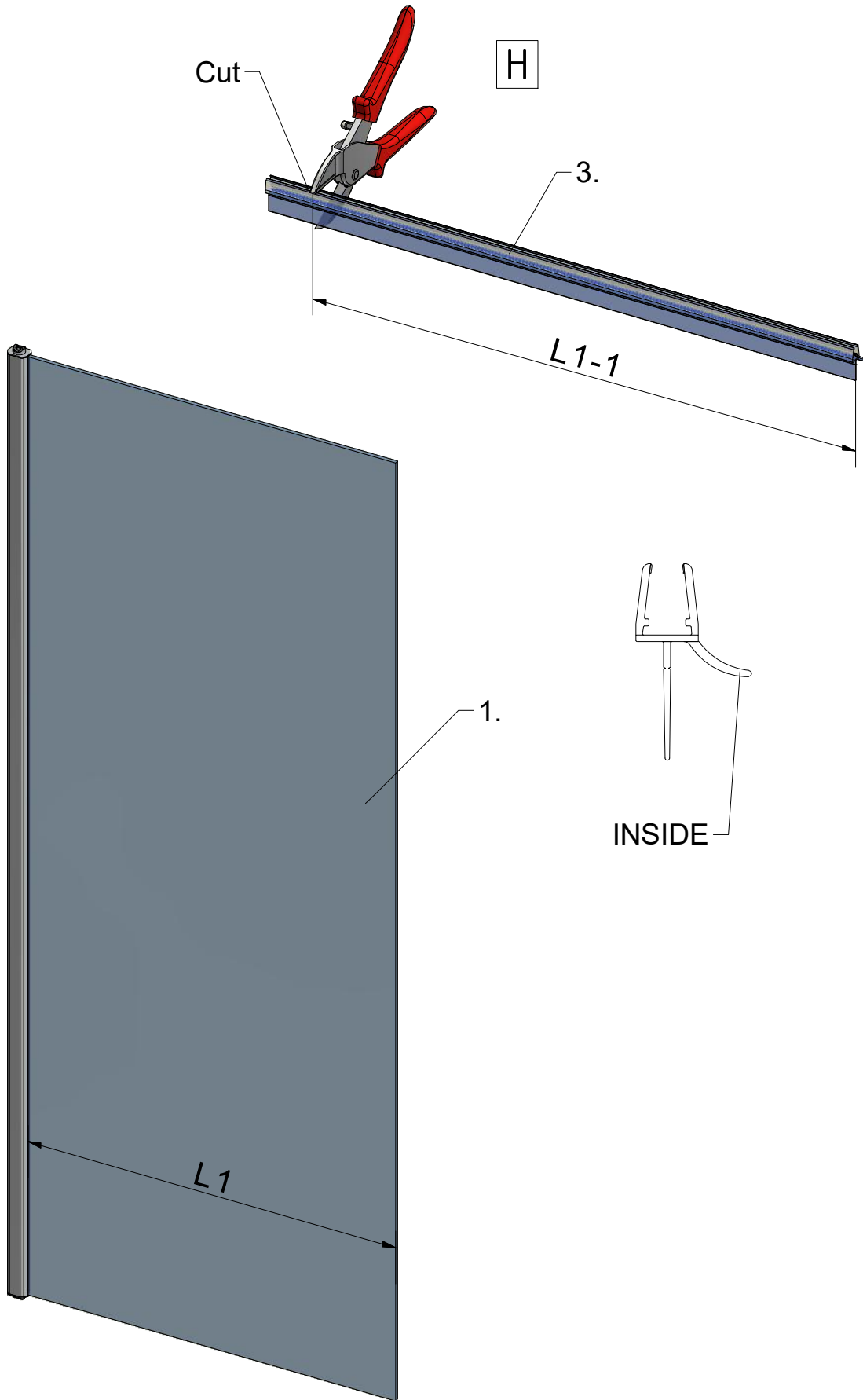


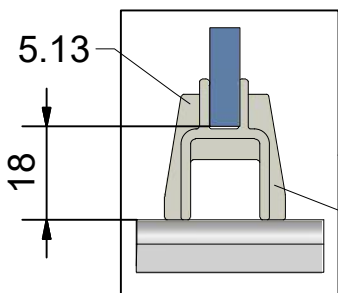
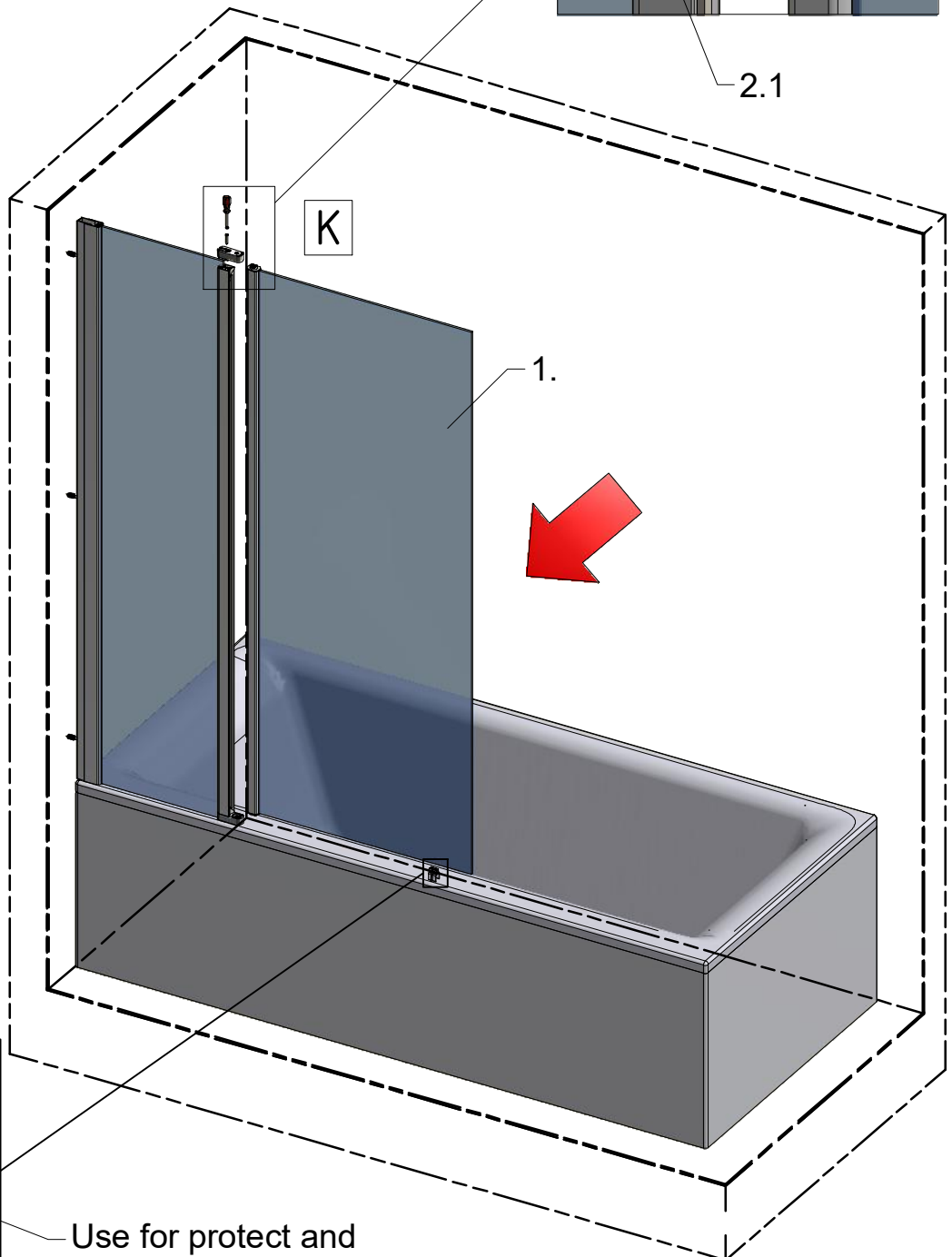
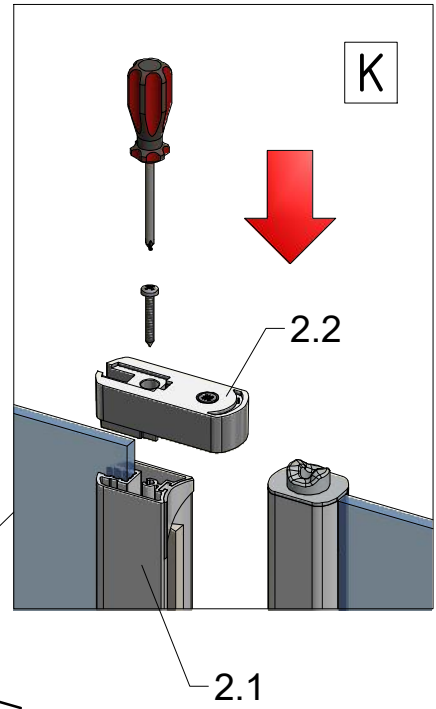
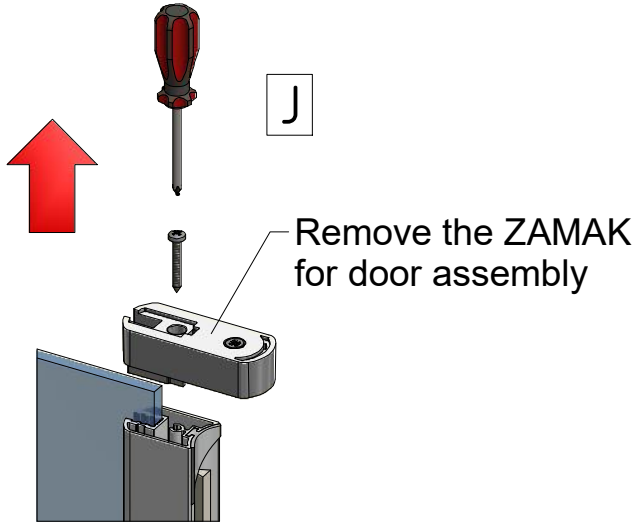
**RIGHT Installation**



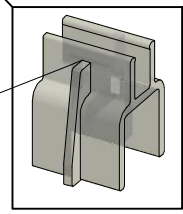
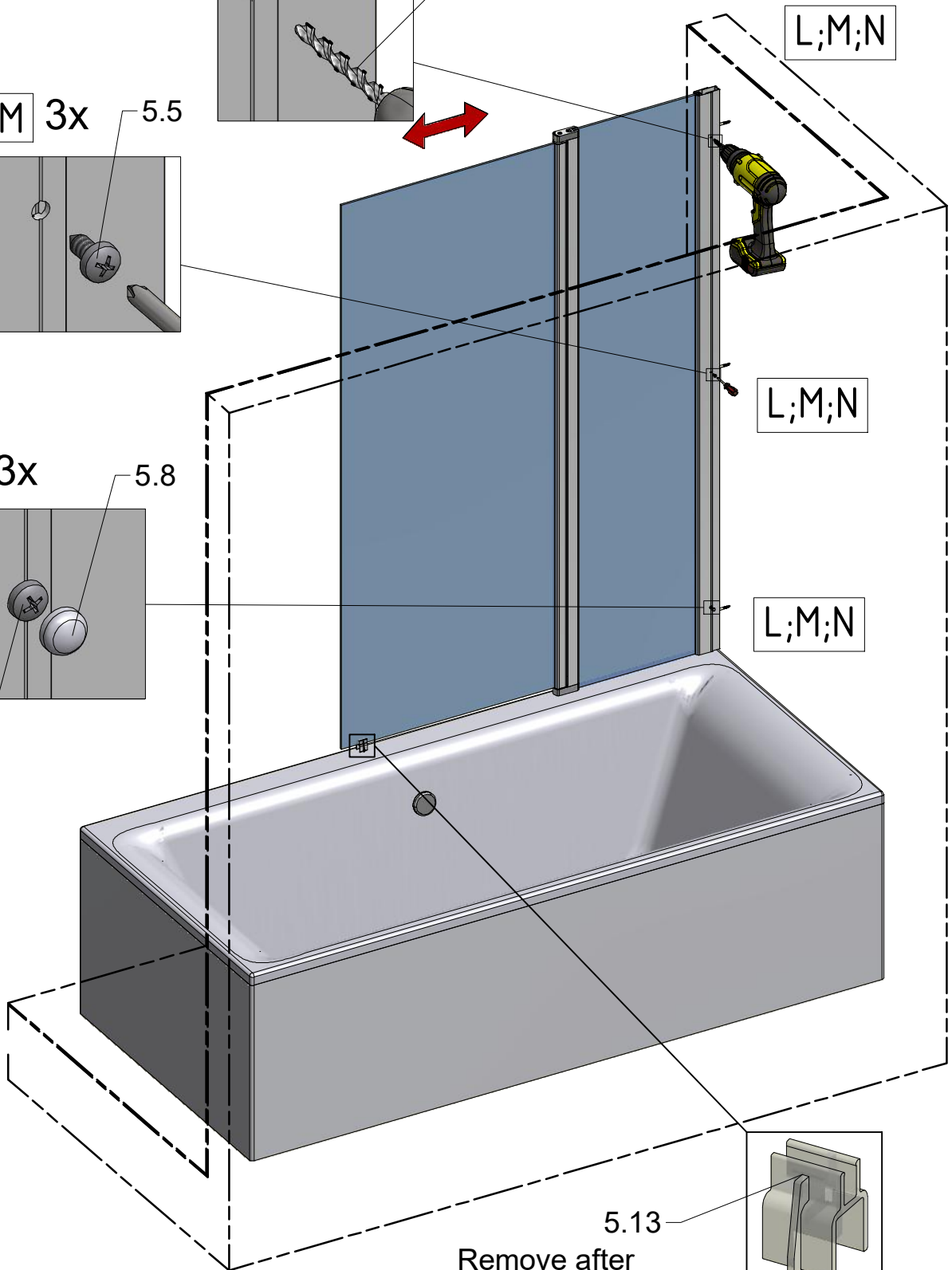
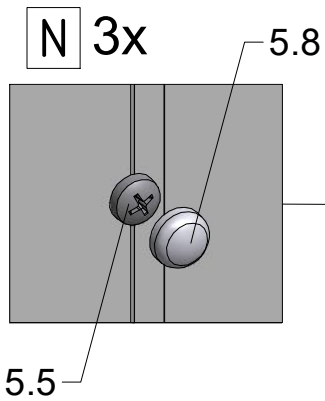
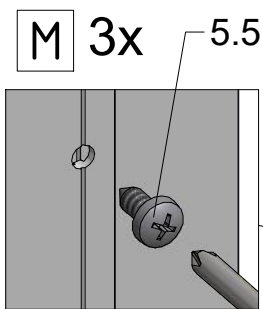
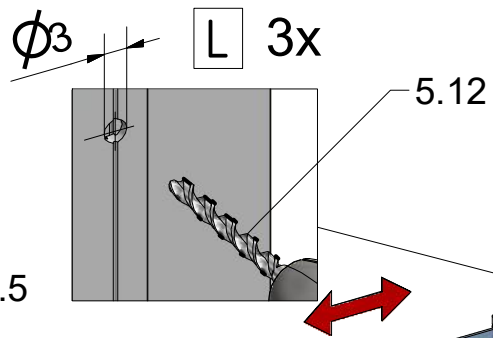
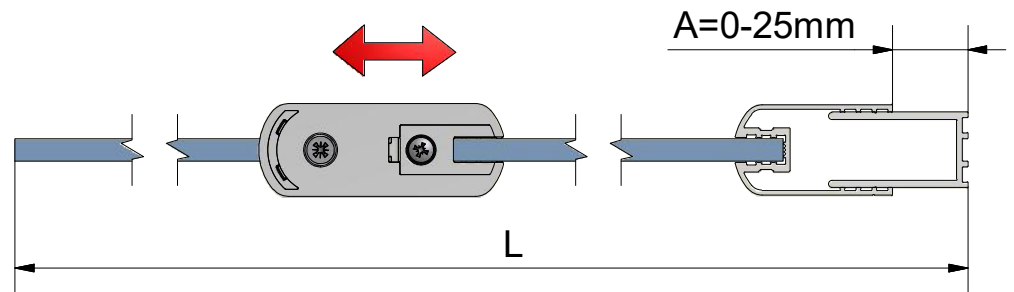




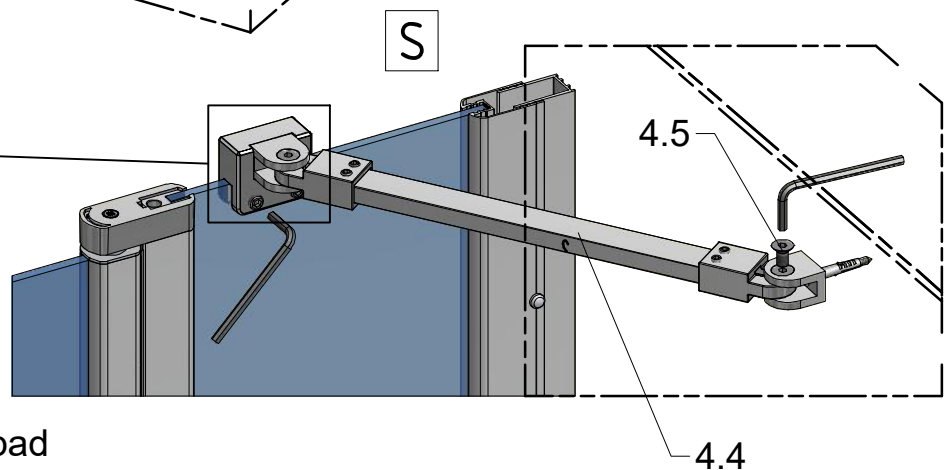
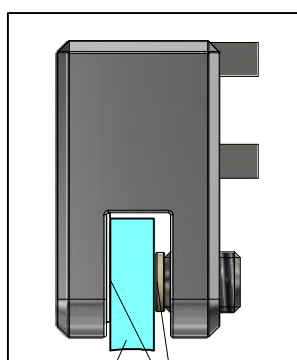
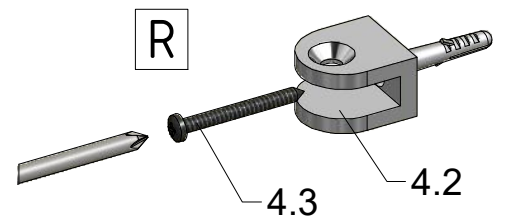
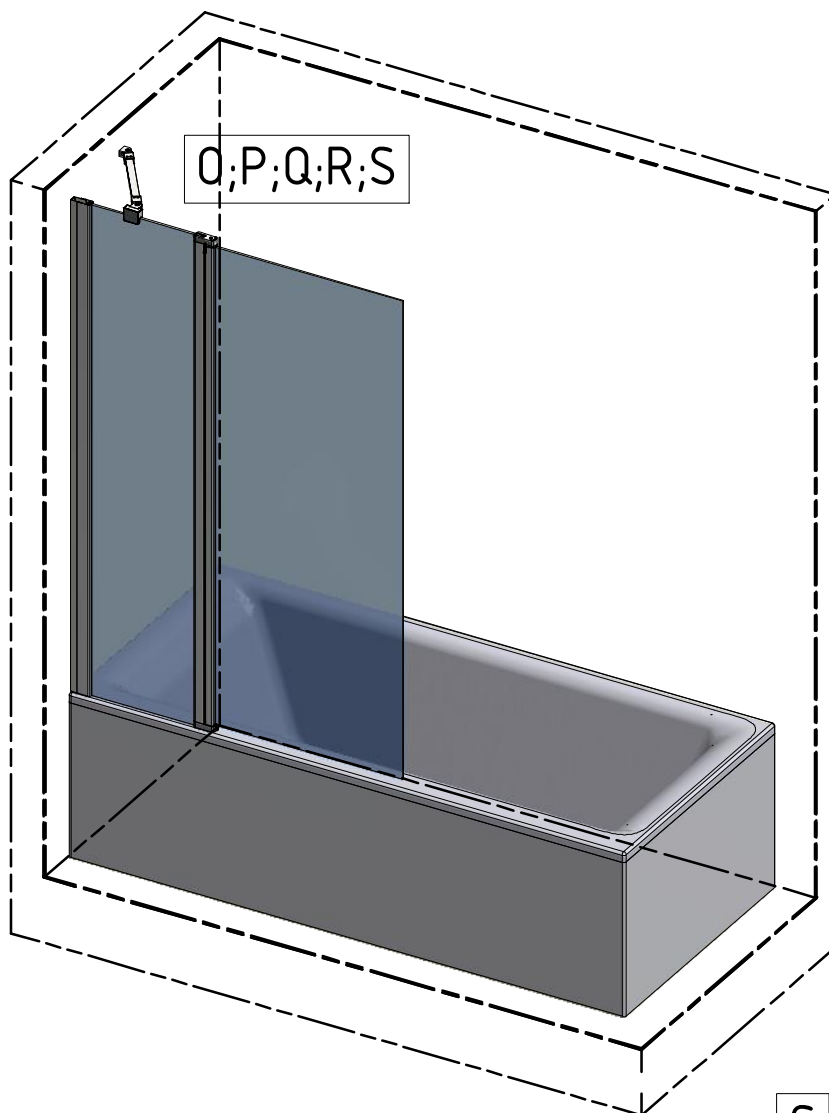
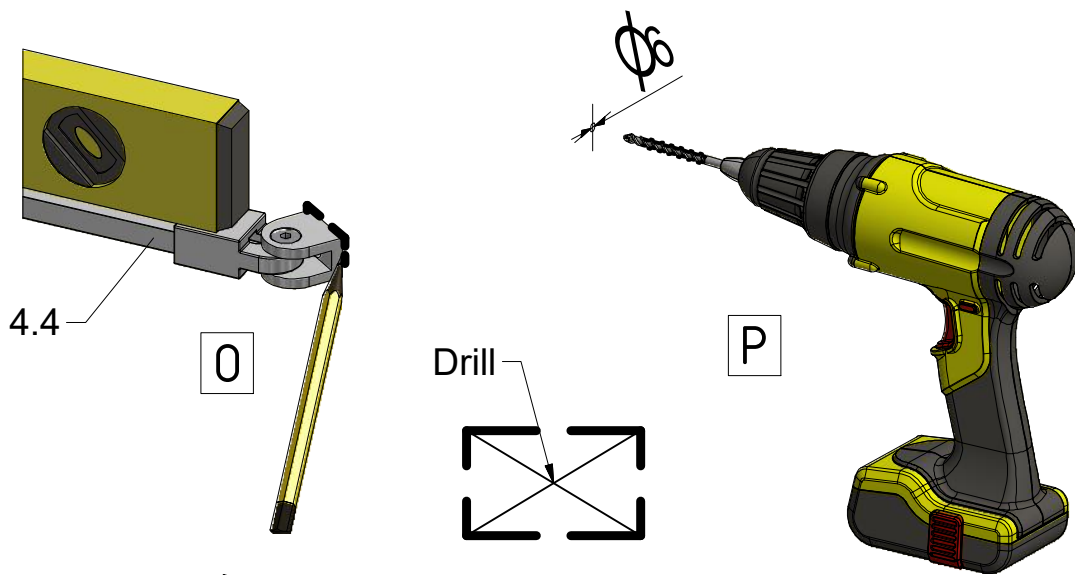


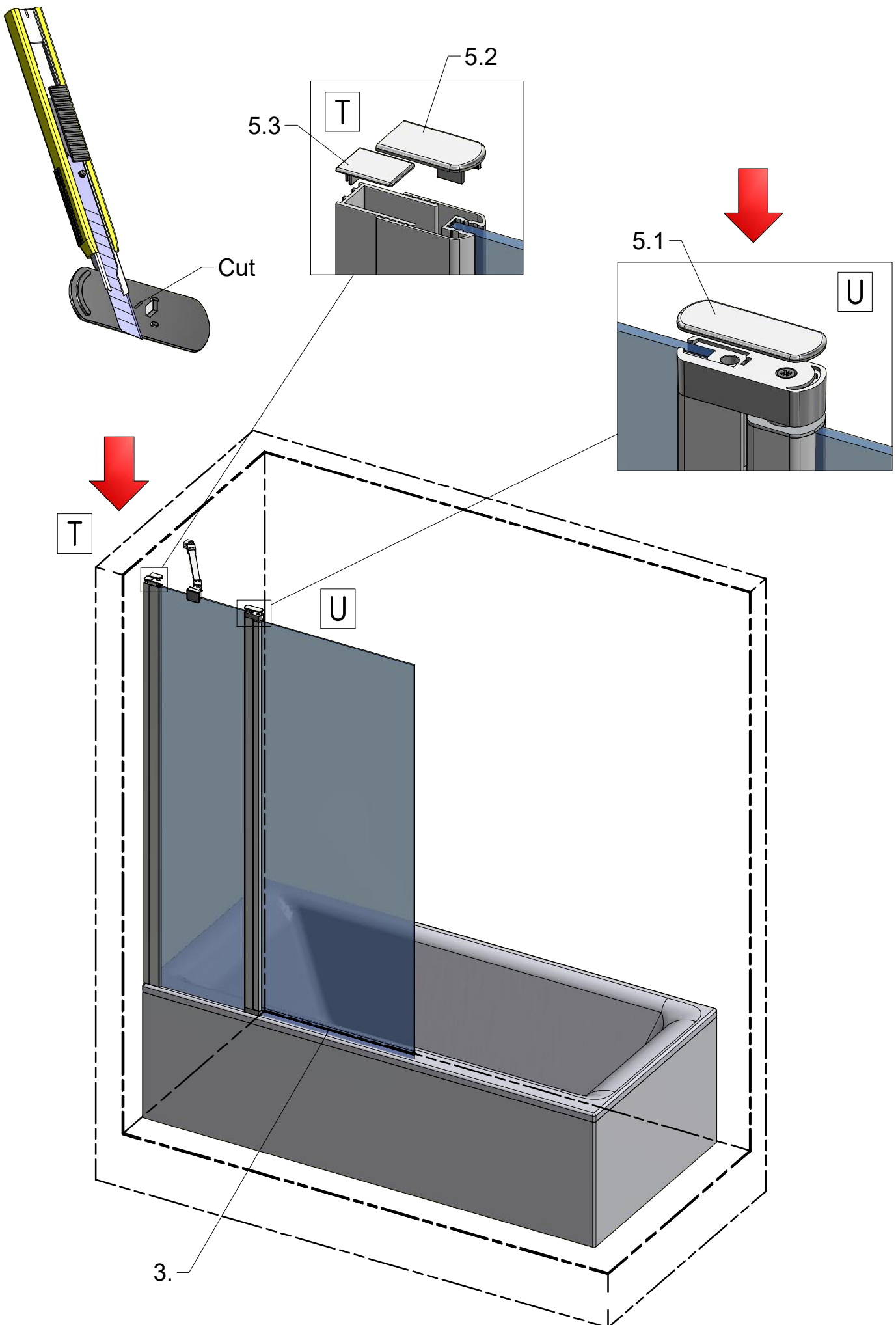


Use for protect and support door glass



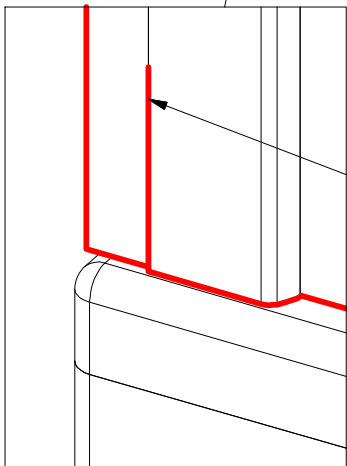
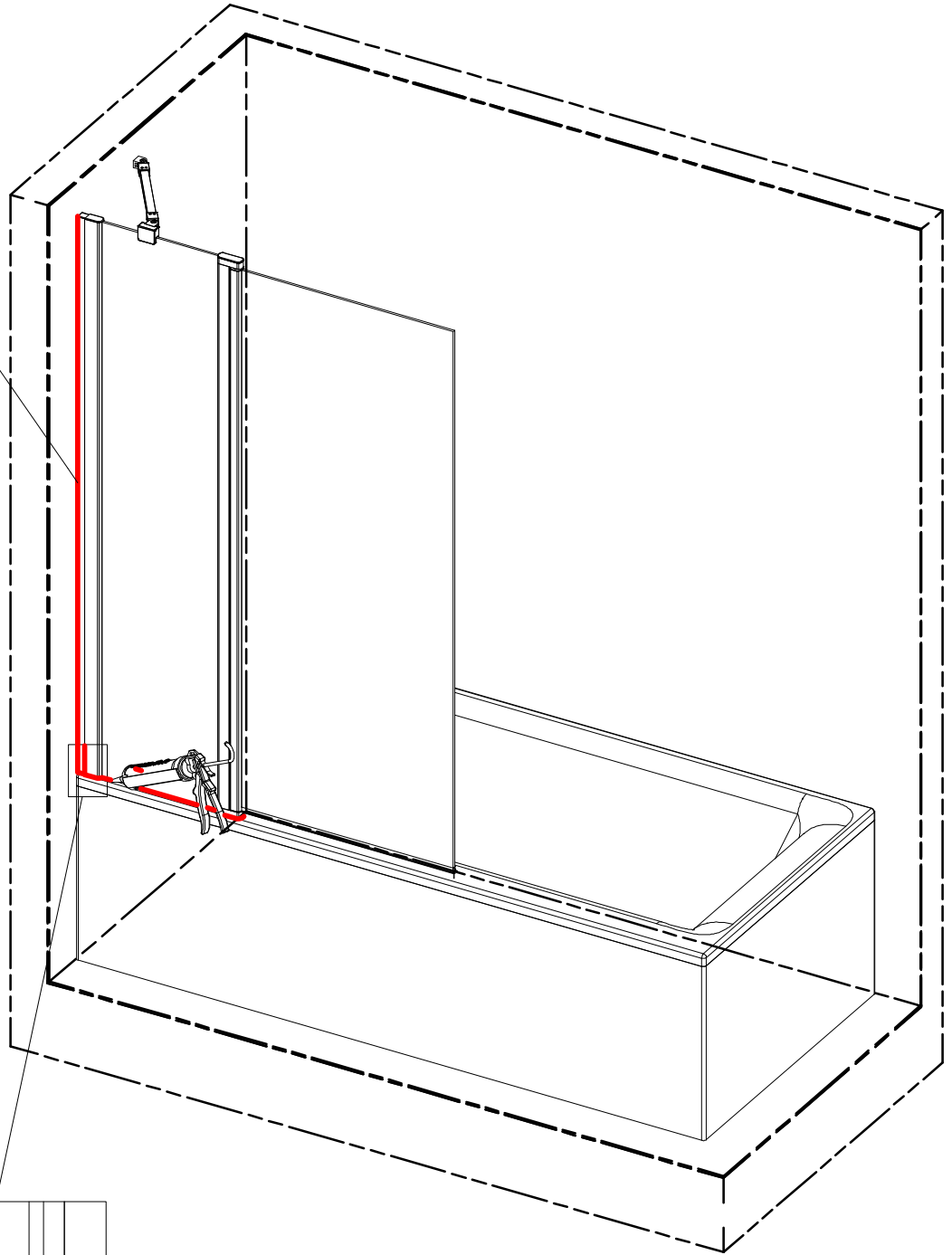
Remove after tightening the screws



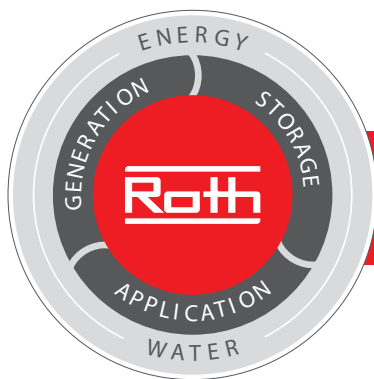




SILICONE



SILICONE  
MIN 100mm



## Roth Energy and Sanitary Systems

### Generation

- Solar systems <
- Heat pump systems <

### Storage

- Storage systems for  
Domestic & heating water <
- Combustibles and biofuels <
- Rainwater and waste water <

### Application

- > Radiant heating  
and cooling systems
- > Pipe installation systems
- > Shower system

# Roth

#### ■ Deutschland

ROTH WERKE GMBH  
Am Seerain 2  
35232 Dautphetal  
Telefon: 06466/922-0  
Telefax: 06466/922-100  
E-Mail: [service@roth-werke.de](mailto:service@roth-werke.de)  
[www.roth-werke.de](http://www.roth-werke.de)

#### ■ Czech Republic

Roth Czech s.r.o.  
Třebořov 160  
569 33 Třebořov  
Tel.: +420 461 353 611  
E-Mail: [objednavky@roth-czech.cz](mailto:objednavky@roth-czech.cz)  
[www.roth-czech.cz](http://www.roth-czech.cz)

#### ■ France

ROTH FRANCE  
CS 20090  
78, rue Ampère - ZI  
77465 Lagny sur Marne Cedex  
Tél.: +420 461 353 611  
[www.roth-france.fr](http://www.roth-france.fr)