

Sanitary Systems

**Shower enclosures | Bathtubs | Shower trays**



**Catalogue  
2024**



The prices listed in the catalogue are recommended and without VAT.

*Shower for life*



## About us

The precise processing of our products has been celebrating success since 1991 (under the name Roltechnik) not only in the Czech Republic, but also in the most demanding markets, such as Germany, Austria, Switzerland and others.

In 2016, Roltechnik became a member of the Roth Industries group. Roth Industries is a family-owned company based in Germany with a 70-year history and more than 1,300 employees worldwide. Roth is a multinational manufacturer of energy and sanitary systems with a worldwide presence.

You can find more information at [www.roth-industries.de](http://www.roth-industries.de)

Above all, this connection taught us higher precision, tightening even the smallest details to perfection and the art of succeeding on the world market. From 1 January 2020 Roltechnik took over the new name **Roth Czech**. By the renaming of Roltechnik name and brand was completed the integration process into the Roth group. Our products are enjoyed by satisfied customers in 25 countries around the world. And more are coming. We care about every detail. We also meet any requirement for an atypical solution. We will always try to accommodate you. We innovate product design in cooperation with the best designers and our technologies certify the most demanding German authorities.





## Shower enclosures

■ <b>Cariba Line - MISTY</b> <span style="background-color: red; color: white; padding: 2px;">NOVELTY</span> 10	■ <b>Melina Line</b>	■ <b>Walk In Line</b>
■ <b>Hitech Neo Line</b>	MI D55 <span style="background-color: red; color: white; padding: 2px;">NOVELTY</span> 22	MI TWF ..... 36
HI PI2 ..... 14	MI PIG + MI PIG <span style="background-color: red; color: white; padding: 2px;">NOVELTY</span> 24	AI TWF ..... 38
HI FXP ..... 16	MI EPF + MI EPF <span style="background-color: red; color: white; padding: 2px;">NOVELTY</span> 25	CI TWF ..... 40
HI SET ..... 17	MI PIV / + MI FXP <span style="background-color: red; color: white; padding: 2px;">NOVELTY</span> 26	CI TWP ..... 42
HI 2B2 ..... 18	MI PIF / + MI FXP <span style="background-color: red; color: white; padding: 2px;">NOVELTY</span> 28	PHILLY LOFT HORIZON ..... 44
	MI D2L / MI D2R ..... 30	ECWALK ..... 46
	MI FX2 ..... 32	
■ <b>Elegant Neo Line</b>	■ <b>Cariba Line</b>	
GR2N ..... 50	CI P55 ..... 62	CI PIV ..... 73
GDO1N + GDO1N ..... 52	CI EPF + CI EPF ..... 64	CI PIL / CI PIR ..... 74
GDO1N + GBN ..... 54	CI PIG + CI PIG ..... 66	CI RFR / CI RFL ..... 75
GDO1N + GZN ..... 55	CI 2CL + CI 2CR ..... 68	CI FXP ..... 76
<b>Belita</b>	CI FXG ..... 70	CI FX0 ..... 78
BI PF2 + BI FXP ..... 56	CI 2BT ..... 71	CI D2L / CI D2R ..... 80
BI PF2 + BI SET ..... 58	CI PIF ..... 72	CI C2L + CI C2R ..... 82
■ <b>Tower Line</b>		
TR1 ..... 86	TCO1 + TCO1 ..... 94	TCN2 ..... 104
TR2 ..... 88	TBD ..... 96	TCB ..... 105
TR2 LIGHT ..... 89	TZOL1 + TZOP1 ..... 98	TDN2 ..... 106
TDO1 + TDO1 ..... 90	TZNL1 ..... 100	TCW1 ..... 108
TDO1 + TB ..... 92	TDN1 ..... 101	TBS ..... 109
TCO1 + TB ..... 93	TCN1 ..... 102	
■ <b>Ambient Line</b>	■ <b>Limaya Line</b>	■ <b>Lega Line</b>
AMR2N ..... 112	LYR4 ..... 130	LLR2 ..... 144
AMD2 ..... 114	LYP2 ..... 132	LLS2 ..... 146
AMD2 + AMB ..... 115	LYP2 + LYSW1AP2 ..... 133	LLDO1 ..... 148
	LYE4 + LYE4 ..... 134	LLDO2 ..... 149
■ <b>Proxima Line</b>	LYE4 + LYSW1S ..... 136	LLDO1 + LLB ..... 150
PXR2N ..... 120	LYE4 + LZ ..... 137	LLDO2 + LLB ..... 151
PXS2L + PXS2P ..... 122	LYE2 + LYE2 ..... 138	LLD2 ..... 152
PXDO1N ..... 124	LYE2 + LYSW1S ..... 140	LLD4 ..... 153
PXBN ..... 125	LYE2 + LZ ..... 141	PD3N ..... 154
PXD2N ..... 126		PD3N + LLBD ..... 156
■ <b>Atypical customized solution</b> ..... 158	■ <b>RothETC</b> ..... 162	■ <b>Profiles and glass</b> ..... 164
■ <b>Additional profiles</b> ..... 160	SHELF UNI ..... 163	
	Cleaning blade ..... 163	

## Shower trays

■ <b>Cast marble</b>		
PRESTOL.....	166	
MARMO NEO.....	168	
DREAM-M.....	170	
TAHITI-M.....	170	
ALOHA-M.....	171	
MACAO-M.....	171	
RECTAN-M.....	172	<b>NOVELTY</b>
■ <b>Acrylic</b>		
FLAT ROUND.....	174	
HAWAII.....	174	
HAWAII-P.....	175	
FLAT KVADRO.....	175	
COLA.....	176	
COLA-P.....	176	
FLAT KVADRO.....	177	
INTEGRO.....	178	
FLAT STONE.....	179	
■ <b>Accessories</b>		
Shower tray legs.....	178	
Shower tray siphons.....	210	
Mounting kit for trays.....	211	
Cleaners.....	211	

## Bathtubs

■ <b>Cast marble</b>			
ALLYSA BLACK / WHITE.....	180	ALEGRIA SILK.....	181
STONE AMORE.....	181		
■ <b>Acrylic</b>			
KUBIC NEO.....	182	VANESSA NEO.....	187
KUBIC NEO SLIM.....	183	ACTIVA.....	188
MALIBU NEO.....	184	MINI.....	189
KUBIC NEO 120 / 130.....	185	EVA SIDE.....	189
KUBIC 190.....	185	ISABELLA NEO.....	190
SAVONA NEO.....	186	HARMONIA.....	190
■ <b>Bath screens</b>			
CI BAE.....	196	SWING.....	203
CI BAF.....	197	SCREEN MINI.....	204
CI 2PL / CI 2PR.....	198	PXV1.....	205
TZVL2.....	200	PXV2P.....	206
TV2.....	201	PXVB.....	207
TV1.....	202		
LLV2.....	208		
LLVB.....	209		
■ <b>Accessories</b>			
Bathtub legs.....	211		
Bath siphons.....	211		
Cleaners.....	211		
■ <b>Vinata®</b>	212	■ <b>Vipanel</b>	224

## Project Line

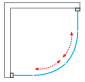
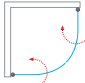
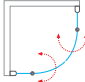
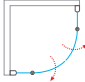
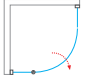
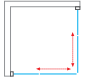

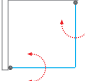
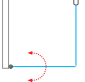
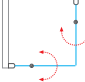
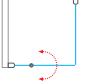
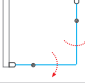
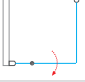


■ <b>Shower enclosures</b>		■ <b>Shower trays</b>		■ <b>Shower boxes</b>	
EI TWF.....	238	DREAM-P.....	250	SIMPLE.....	255
EI TWA, EI TWP.....	239	DREAM FLAT.....	250	SIMPLE SQUARE.....	255
AUSTIN.....	240	ALOHA-P.....	251	LANETA.....	256
DENVER.....	240	ALOHA FLAT.....	251	MARINE.....	256
ALBIS.....	242	SEMIDEEP NEO.....	252	■ <b>Shower sets</b>	
PORTLAND NEO.....	242	VIKI LUX.....	252	FLORIDA (COMBI).....	257
SUNDIS.....	243			SELMA (COMBI).....	257
MADISON NEO.....	244	■ <b>Bathtubs and bath screens</b>			
OBR2, OBS2.....	245	CLASSIC PRO.....	253		
OBD2, OBDO1.....	246	SALVIA.....	253		
OBB.....	247	TULLIP.....	254		
OBZD2, OBZB.....	248	SCREEN.....	254		
LD3, LSB.....	249	SCREEN PRO.....	254		

## Info

■ <b>General informations</b>	259
■ <b>Guarantee conditions</b>	260
■ <b>Technical specifications</b>	261

# Shower enclosures

## summary

TYPE / OPENING	Hitech Neo	Melina	Walk In	Elegant Neo Belita	Cariba	Tower	Ambient	Proxima	Limaya	Lega	Project
<b>QUADRANT</b>											
							112	120		144	242 244 245
						86					
		22			62	88			130		
				50							
											250
<b>SQUARE AND RECTANGULAR</b>											
					82			122		146	243 245
		32			81		119	125		151	246 248
	14	24			66	94			138		
	16	27			67				140	150	
		25			64	90			134		
		29		56	65	92			136		
				52							
				54				125			246
					77	105			133	151	
										151	

TYPE / OPENING	Hitech Neo	Melina	Walk In	Elegant Neo	Cariba	Tower	Ambient	Proxima	Limaya	Lega	Project
<b>SQUARE AND RECTANGULAR</b>											
										156	249
					68	98					
<b>NICHE DOORS</b>											
	17	26			73	102			141	148	
								124			246
		28		58	72	103			137		
				55							
	18				71	104			132	149	
						106					
					74	100					
					78	97					
					79	96					
		30			80		114	126		152	246 248
										153	
										154	249
<b>WALK IN TYPE</b>											
			36 - 47			108					238

## Roth Czech

about us

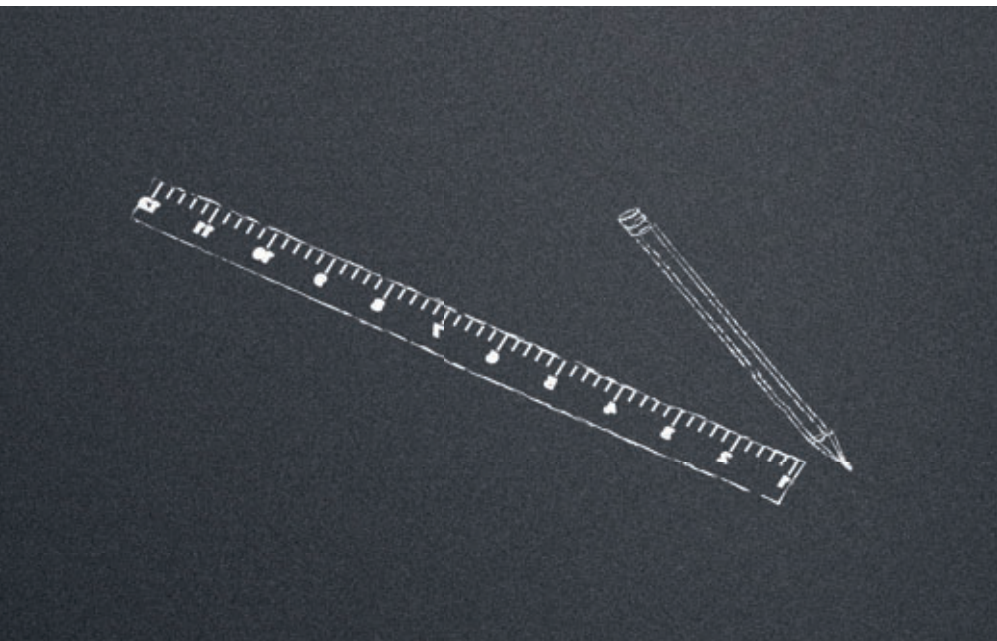


## Roth Czech

The Roltechnik company, which has been producing sanitary products since 1991, has merged into a strong brand with the German manufacturer Roth, which, among other things, developed the world's first shower box in 1967. It has thus become a member of this family business, which brings customers a guarantee of long-term reliability and stability in the partnership,

as well as an emphasis on quality and innovation in the future. The result of this connection is the production of practical and attractive innovations for the bathroom, the house and the use of rainwater. Roth's first product saw the light of day in 1947. Since then, the company has come a very long way. Today, it is one of the world leaders in the segments

of energy conservation, surface heating, cooling and composite technologies. Roth also regularly sets new standards in modern construction technology. In-house research and development brings products that are carefully tailored to customer requirements. In practice, they are appreciated by many customers not only from between professionals.







■ **Roth service - qualified, comprehensive and fast**

Our Roth service experts are available to answer any questions you may have about Roth sanitary products after you purchase them! Our nationwide sales force will quickly advise you on business and technical issues - right at your doorstep.

Roth's quality service offering includes a guarantee of availability spare parts, short response times and fast delivery times.



The world of the Roth brand  
composes technologies  
for solutions full of energy

---

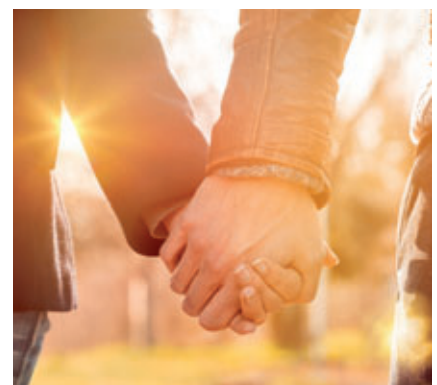
■ **Development for the future**

Roth's extensive team works on research and development as well as design to bring innovative solutions to innovation. This helps society survive the crisis and seize the chances for growth. It also builds a leading position in the market.



■ **The world of the Roth brand composes technologies for solutions full of energy**

This inspiring vision is the cornerstone of responsible business, which Roth cares about. The internationally active Roth company with more than 1,300 employees is a manufacturer of leading branded products that are used in the field of construction and industrial engineering.



**Cariba Line**  
intimate glass printing

**NEW**

# Misty intima

For a greater sense of privacy while showering,  
you can order the new ATYPICAL printed glass  
treatment for CARIBA series products.  
See pages 62–82.

Roth



**Hitech Neo Line**  
power of ideas

# Hitech Neo Line

A series characterized by modern design and technical improvements. This is the absolute top among shower enclosures.

The new Roth models we bring to your bathroom are not just fashion trends. It is about precision and functionality in combination with a modern concept.

- door hinges are recessed to the glass level from the inside for greater convenience when cleaning
- easy entry through the opening doors in both directions, in and out
- solid handle that highlights the unique design of this series



Roth



**Hitech Neo Line**  
power of ideas

one door can solve  
a lot of situations

## HI PI2

single shower door

8 mm ESG Tempered glass  
**Transparent**



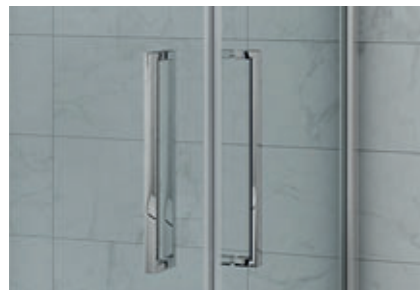
Profile colour  
**Brilliant**



■ HI PI2 + HI PI2

# universal left and right solution

- one type of door for all combinations
  - corner entrance with double opening doors
  - single opening door with side wall
  - single opening door for installation in a niche



■ Robust chromed hinges underline the unique design of the series

■ Door hinges are recessed to the glass level for greater convenience when cleaning

## HI PI2 (single shower door)

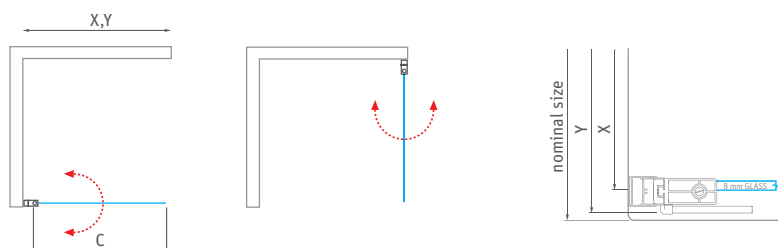
type	ordering No.	installation width (y)	height (h)	door width (c)	profile	glass	delivery method	Price
HI PI2/800	HI PI2 08020 VPE	782–798	2006*	663	brillant	transparent	0	345 €
HI PI2/900	HI PI2 09020 VPE	882–898	2006*	763	brillant	transparent	0	365 €
HI PI2/1000	HI PI2 10020 VPE	982–998	2006*	863	brillant	transparent	0	389 €

h\* - height including supporting elements

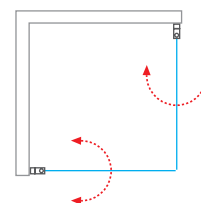
## HI PI2 (atypical customized solution)

type	width (y)	height (h)	profile	glass	delivery method
HI PI2	up to 1000 mm	up to 2000 mm	brillant	transparent	Z

■ HI PI2 - universal LEFT and RIGHT solution



■ HI PI2 + HI PI2 - square or rectangular shower enclosure with a double opening doors



Nominal sizes of shower enclosures are designed for INSTALLATION ON THE TRAY and they are always assembled with indentation from the edge of the tray. With INSTALLATION ON THE TILES there is a risk, that the size of shower enclosure will be smaller than measured width of the tiles. It is necessary to follow the size charts on "TECHNICAL SPECIFICATION" pages at the end of our catalogue (p. 261–283).

# Hitech Neo Line

power of ideas

one door can solve  
a lot of situations



## HI PI2 + HI FXP

square or rectangular shower enclosure  
with a single opening door and a side panel

- up to 9 combinations of size variants
- square or rectangular solution
- the solid handle fits perfectly in the hand and underlines the design of this product line



8 mm ESG Tempered glass  
**Transparent**



Profile colour  
**Brillant**



### HI FXP (side panel to a door HI PI2)

type	ordering No.	installation width (y)	height (h)	door width (c)	profile	glass	delivery method	Price
HI FXP/800	HI FXP 08020 VPE	777-793	1981*	-	brillant	transparent	0	246 €
HI FXP/900	HI FXP 09020 VPE	877-893	1981*	-	brillant	transparent	0	265 €
HI FXP/1000	HI FXP 10020 VPE	977-993	1981*	-	brillant	transparent	0	284 €

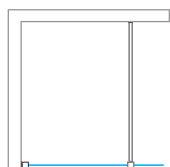
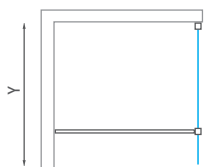
h\* - height including supporting elements / side panel HI FXP including the support bar - max. length 1 200 mm

### HI FXP (atypical customized solution)

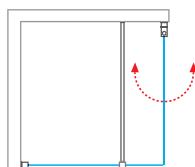
type	width (y)	height (h)	profile	glass	delivery method
HI FXP	up to 1000 mm	up to 2000 mm	brillant	transparent	Z



■ HI FXP- universal LEFT and RIGHT solution



■ HI PI2 + HI FXP



- Door hinges are recessed to the glass level for greater convenience when cleaning



Nominal sizes of shower enclosures are designed for INSTALLATION ON THE TRAY and they are always assembled with indentation from the edge of the tray. With INSTALLATION ON THE TILES there is a risk, that the size of shower enclosure will be smaller than measured width of the tiles. It is necessary to follow the size charts on "TECHNICAL SPECIFICATION" pages at the end of our catalogue (p. 261-283).



# universal left and right solution



## HI PI2 + HI SET

single opening shower door with a set of profiles HI SET for installation to a niche

- square or rectangular shower enclosure with a double opening door
- standard height of 2 000 mm
- universal installation and convenient maintenance thanks to special glass treatment



8 mm ESG Tempered glass  
**Transparent**



Profile colour  
**Brilliant**

HI SET (set of profiles)								
type	ordering No.	installation width (y)	height (h)	door width (c)	profile	glass	delivery method	Price
HI SET	HI SET 2000 VE	31,5-47,5	1981*	-	brillant	-	0	56 €

h\* - height including supporting elements

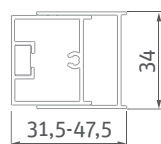
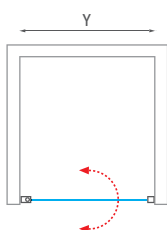


HI SET (atypical customized solution)					
type	width (y)	height (h)	profile	glass	delivery method
HI SET	-	up to 2000 mm	brillant	-	Z



Nominal sizes of shower enclosures are designed for **INSTALLATION ON THE TRAY** and they are always assembled with indentation from the edge of the tray. With **INSTALLATION ON THE TILES** there is a risk, that the size of shower enclosure will be smaller than measured width of the tiles. It is necessary to follow the size charts on "TECHNICAL SPECIFICATION" pages at the end of our catalogue (p. 261-283).

- **HI PI2 + HI SET** - single shower door to a niche
- **HI SET** - set of profiles



installation to a niche	installation width (Y)
HI PI2/800 + HI SET	783-815
HI PI2/900 + HI SET	883-915
HI PI2/1000 + HI SET	983-1015

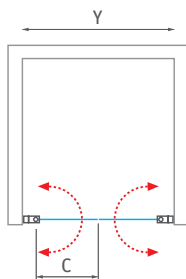
# Hitech Neo Line

power of ideas

## HI 2B2

double opening shower door  
for installation to a niche

- opening in both directions - in / out
- door hinges are recessed to the glass level for greater convenience when cleaning
- standard door dimensions from 800 to 1 200 mm



8 mm ESG Tempered glass  
**Transparent**



Profile colour  
**Brillant**



- Robust chromed hinges underline the unique design of the series



- Door hinges are recessed to the glass level for greater convenience when cleaning

### HI 2B2 (double shower door to a niche)

type	ordering No.	installation width (y)	height (h)	door width (c)	profile	glass	delivery method	Price
HI 2B2/800	HI 2B2 08020 VPE	783-815	2006*	320	brillant	transparent	0	488 €
HI 2B2/900	HI 2B2 09020 VPE	883-915	2006*	370	brillant	transparent	0	505 €
HI 2B2/1000	HI 2B2 10020 VPE	983-1015	2006*	420	brillant	transparent	0	523 €
HI 2B2/1200	HI 2B2 12020 VPE	1183-1215	2006*	520	brillant	transparent	0	565 €

h\* - height including supporting elements

### HI 2B2 (atypical customized solution)

type	width (y)	height (h)	profile	glass	delivery method
HI 2B2	up to 1500 mm	up to 2000 mm	brillant	transparent	Z

Nominal sizes of shower enclosures are designed for **INSTALLATION ON THE TRAY** and they are always assembled with indentation from the edge of the tray. With **INSTALLATION ON THE TILES** there is a risk, that the size of shower enclosure will be smaller than measured width of the tiles. It is necessary to follow the size charts on "TECHNICAL SPECIFICATION" pages at the end of our catalogue (p. 261-283)..





Under the guidance of our designers, we have created completely new **Hitech Neo Line** models for your bathroom. **Hitech** design is not just about the look of products. It is about precision, functionality and a modern concept.



■ HI 2B2

**Melina Line**

for your convenience



QUADRANT



CORNER



NICHE

A red circular badge with a white border containing the word "NEW" in white, bold, uppercase letters. The background of the entire page is a close-up photograph of water splashing, creating a dynamic and textured scene with various shades of blue, white, and brown.

# Melina Line

The new range of shower enclosures fulfills the idea of a reliable and modern solution. Tune your bathroom with comfort in mind.

Do you also feel that you deserve more care and well-being after a long day? You step into the shower, gently push the door and someone takes control and gently closes it behind you...  
With the SOFTCLOSE system of the MI D2L/R, this idea becomes a reality!

■ opening door into the niche, which can also be combined with the side wall

■ above-standard variability of installation thanks to an imaginative cam design

■ automatic door closing using the new SOFTCLOSE system for MI D2L/R

# Melina Line

for your convenience

reliable cam profile  
for double-sided opening

## MI D55

single opening shower door with fixed element  
for quadrant shower enclosure



- convenient entry through double-sided opening in and out
- high quality and reliability of processing
- standard height 2 000 mm



6 mm ESG Tempered glass  
**Transparent**



Profile colour  
**Brillant**



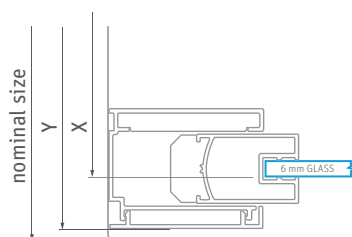
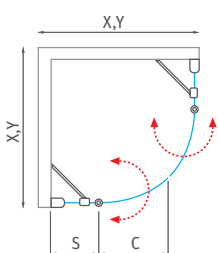
■ Profiles with lifting mechanism, threshold bar and bottom seal

■ Elegant metal handle in chrome finish

### MI D55 (single shower door for quadrant shower enclosure = 1/2 enclosure)

type	ordering No.	installation width (y)	height (h)	door width (c)	side part width (s)	profile	glass	delivery method	Price
MI D55/800	MI D55 080200 VPE	780-805	2023*	389	224-249	brillant	transparent	0	765 €
MI D55/900	MI D55 090200 VPE	880-905	2023*	389	324-349	brillant	transparent	0	783 €
MI D55/1000	MI D55 100200 VPE	980-1005	2023*	389	424-449	brillant	transparent	0	825 €

R - standard radius R550, a pair of doors must be ordered for the entire shower enclosure, h\* - height including supporting elements



Nominal sizes of shower enclosures are designed for INSTALLATION ON THE TRAY and they are always assembled with indentation from the edge of the tray. With INSTALLATION ON THE TILES there is a risk, that the size of shower enclosure will be smaller than measured width of the tiles. It is necessary to follow the size charts on "TECHNICAL SPECIFICATION" pages at the end of our catalogue (p. 261-283).



We have significantly expanded our new **Melina Line** range with a selection of quality opening doors which, thanks to their modern cam profile, not only offer the convenience of double-sided opening, but also wide installation variability and reliable functionality.



■ MI D55 - Brillant

# Melina Line

for your convenience

a special cam profile increases the range of installation

**NEW**



■ MI PIG + MI PIG - Brillant

## MI PIG + MI PIG

square or rectangular shower enclosure with a double-door opening

- large installation range and reliable functionality
- modern RothETC glass treatment for easy maintenance
- convenient entry through double-sided opening in and out
- choice of Black elox colour variants



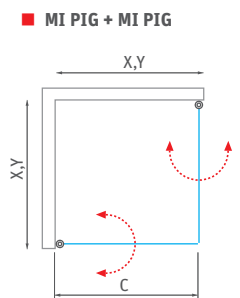
6 mm ESG Tempered glass  
**Transparent**



Profile colour  
**Brillant / Black elox**

MI PIG (single shower door)								
type	ordering No.	installation width (y)	height (h)	door width (c)	profile	glass	delivery method	Price
MI PIG/800	MI PIG 080200 VPE	780-830	2002*	664/689	brillant	transparent	0	600 €
MI PIG/900	MI PIG 090200 VPE	880-930	2002*	764/789	brillant	transparent	0	621 €
MI PIG/1000	MI PIG 100200 VPE	980-1030	2002*	864/889	brillant	transparent	0	644 €
MI PIG/800	MI PIG 080200 NPE	780-830	2002*	664/689	black elox	transparent	0	600 €
MI PIG/900	MI PIG 090200 NPE	880-930	2002*	764/789	black elox	transparent	0	621 €
MI PIG/1000	MI PIG 100200 NPE	980-1030	2002*	864/889	black elox	transparent	0	644 €

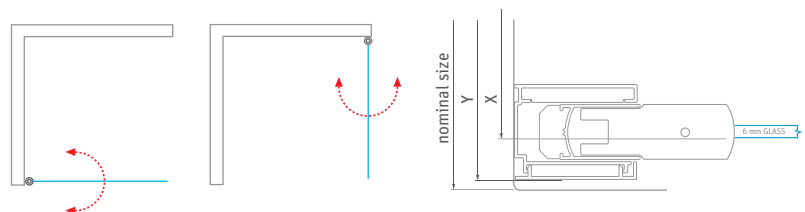
h\* - height including supporting elements



■ The cam profile hides a **smart solution** for excessive construction readiness. Turn the segment to get an extra 25mm! You can find more information and the procedure in the assembly instructions.



■ MI PIG - universal LEFT and RIGHT solution



**!** Nominal sizes of shower enclosures are designed for **INSTALLATION ON THE TRAY** and they are always assembled with indentation from the edge of the tray. With **INSTALLATION ON THE TILES** there is a risk, that the size of shower enclosure will be smaller than measured width of the tiles. It is necessary to follow the size charts on "TECHNICAL SPECIFICATION" pages at the end of our catalogue (p. 261-283).



two colour options to choose from - Brillant and Black elox

**NEW**



■ MI EPF + MI EPF - Black elox

## MI EPF + MI EPF

square or rectangular shower enclosure with a double-door opening with fixed part

- standard height of 2 000 mm
- quality lifting mechanism with large variability and double-sided opening
- modern RothETC glass treatment for easy maintenance



6 mm ESG Tempered glass  
**Transparent**



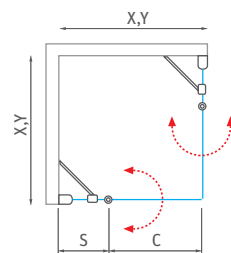
Profile colour  
**Brillant / Black elox**

### MI EPF (single shower door with fixed part)

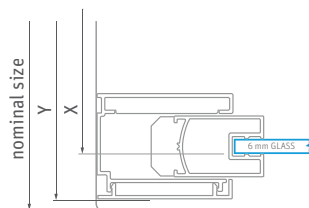
type	ordering No.	installation width (y)	height (h)	door width (c)	side part width (s)	profile	glass	delivery method	Price
MI EPF/800	MI EPF 080200 VPE	780-830	2023*	503/528	234-259	brillant	transparent	0	779 €
MI EPF/900	MI EPF 090200 VPE	880-930	2023*	603/628	234-259	brillant	transparent	0	804 €
MI EPF/1000	MI EPF 100200 VPE	980-1030	2023*	703/728	234-259	brillant	transparent	0	849 €
MI EPF/1100	MI EPF 110200 VPE	1080-1130	2023*	753/778	284-309	brillant	transparent	0	872 €
MI EPF/1200	MI EPF 120200 VPE	1180-1230	2023*	803/828	334-359	brillant	transparent	0	885 €
MI EPF/800	MI EPF 080200 NPE	780-830	2023*	503/528	234-259	black elox	transparent	0	779 €
MI EPF/900	MI EPF 090200 NPE	880-930	2023*	603/628	234-259	black elox	transparent	0	804 €
MI EPF/1000	MI EPF 100200 NPE	980-1030	2023*	703/728	234-259	black elox	transparent	0	849 €
MI EPF/1100	MI EPF 110200 NPE	1080-1130	2023*	753/778	284-309	black elox	transparent	0	872 €
MI EPF/1200	MI EPF 120200 NPE	1180-1230	2023*	803/828	334-359	black elox	transparent	0	885 €

h\* - height including supporting elements

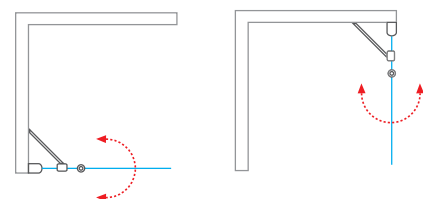
### MI EPF + MI EPF



- The cam profile hides a **smart solution** for excessive construction readiness. Turn the segment to get an extra 25mm! You can find more information and the procedure in the assembly instructions.



### MI EPF -universal LEFT and RIGHT solution



Nominal sizes of shower enclosures are designed for **INSTALLATION ON THE TRAY** and they are always assembled with indentation from the edge of the tray. With **INSTALLATION ON THE TILES** there is a risk, that the size of shower enclosure will be smaller than measured width of the tiles. It is necessary to follow the size charts on "TECHNICAL SPECIFICATION" pages at the end of our catalogue (p. 261-283).

**Melina Line**  
for your convenience

a special cam profile increases  
the range of installation

## MI PIV

single opening shower door for niche installation  
or for combination with a side panel MI FXP

6 mm ESG Tempered glass  
**Transparent**



Profile colour  
**Brillant / Black elox**



■ MI PIV - Brillant

# solutions for niche doors and for corner showers

- Brilliant and Black elox variants
- large variability of installation dimensions for complicated situations
- convenient entry through double-sided opening in and out



■ A set of profiles with a magnet for reliable door closing



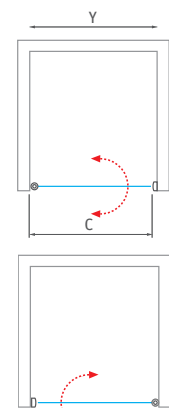
■ MI PIV + MI FXP - side panel MI FXP in combination with MI PIV door - Black elox finish

## MI PIV (single shower door)

type	ordering No.	installation width (y)	height (h)	door width (c)	profile	glass	delivery method	Price
MI PIV/800	MI PIV 080200 VPE	770-845	2002*	620/645	brillant	transparent	0	729 €
MI PIV/900	MI PIV 090200 VPE	870-945	2002*	720/745	brillant	transparent	0	738 €
MI PIV/1000	MI PIV100200 VPE	970-1045	2002*	820/845	brillant	transparent	0	752 €
MI PIV/800	MI PIV 080200 NPE	770-845	2002*	620/645	black elox	transparent	0	729 €
MI PIV/900	MI PIV 090200 NPE	870-945	2002*	720/745	black elox	transparent	0	738 €
MI PIV/1000	MI PIV 100200 NPE	970-1045	2002*	820/845	black elox	transparent	0	752 €

h\* - height including supporting elements

■ MI PIV - universal LEFT and RIGHT solution

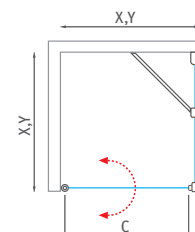


## MI FXP (side panel)

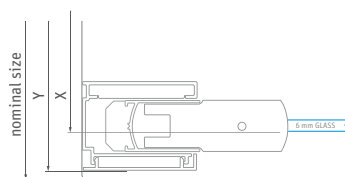
type	ordering No.	installation width (y)	height (h)	profile	glass	delivery method	Price
MI FXP/800	MI FXP 080200 VPE	780-830	2023*	brillant	transparent	0	511 €
MI FXP/900	MI FXP 090200 VPE	880-930	2023*	brillant	transparent	0	524 €
MI FXP/1000	MI FXP 100200 VPE	980-1030	2023*	brillant	transparent	0	541 €
MI FXP/800	MI FXP 080200 NPE	780-830	2023*	black elox	transparent	0	511 €
MI FXP/900	MI FXP 090200 NPE	880-930	2023*	black elox	transparent	0	524 €
MI FXP/1000	MI FXP 100200 NPE	980-1030	2023*	black elox	transparent	0	541 €

h\* - height including supporting elements

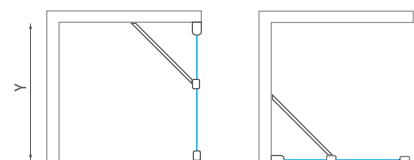
■ MI PIV + MI FXP



- The cam profile hides a **smart solution** for excessive construction readiness. Turn the segment to get an extra 25mm! You can find more information and the procedure in the assembly instructions.



■ MI FXP - universal LEFT and RIGHT solution



Nominal sizes of shower enclosures are designed for INSTALLATION ON THE TRAY and they are always assembled with indentation from the edge of the tray. With INSTALLATION ON THE TILES there is a risk, that the size of shower enclosure will be smaller than measured width of the tiles. It is necessary to follow the size charts on "TECHNICAL SPECIFICATION" pages at the end of our catalogue (p. 261-283).

**Melina Line**  
for your convenience

a special cam profile increases  
the range of installation

## MI PIF

single opening shower door with fixed element to a niche  
or for combination with a side panel MI FXP

6 mm ESG Tempered glass  
**Transparent**



Profile colour  
**Brillant / Black elox**



■ MI PIF - Black elox

# solutions for niche doors and for corner showers

- Brilliant and Black elox variants
- large variability of installation dimensions for complicated situations
- convenient entry through double-sided opening in and out



- Flexible support bar allows you to set different angles and also solves any wall irregularities



- **MI FXP** - side wall for combination with MI PIV or MI PIF doors - Brilliant version



## MI PIF (single shower door with fixed part)

type	ordering No.	installation width (y)	height (h)	door width (c)	side part width (s)	profile	glass	delivery method	Price
MI PIF/800	MI PIF 080200 VPE	770-845	2023*	459/484	234-259	brillant	transparent	0	911 €
MI PIF/900	MI PIF 090200 VPE	870-945	2023*	559/584	234-259	brillant	transparent	0	927 €
MI PIF/1000	MI PIF 100200 VPE	970-1045	2023*	659/684	234-259	brillant	transparent	0	940 €
MI PIF/1100	MI PIF 110200 VPE	1070-1145	2023*	709/734	284-309	brillant	transparent	0	954 €
MI PIF/1200	MI PIF 120200 VPE	1170-1245	2023*	759/784	334-359	brillant	transparent	0	971 €
MI PIF/800	MI PIF 080200 NPE	770-845	2023*	459/484	234-259	černý elox	transparent	0	911 €
MI PIF/900	MI PIF 090200 NPE	870-945	2023*	559/584	234-259	černý elox	transparent	0	927 €
MI PIF/1000	MI PIF 100200 NPE	970-1045	2023*	659/684	234-259	černý elox	transparent	0	940 €
MI PIF/1100	MI PIF 110200 NPE	1070-1145	2023*	709/734	284-309	černý elox	transparent	0	954 €
MI PIF/1200	MI PIF 120200 NPE	1170-1245	2023*	759/784	334-359	černý elox	transparent	0	971 €

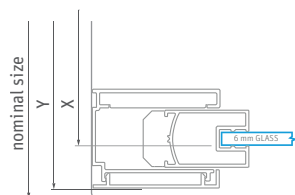
h\* - height including supporting elements

## MI FXP (side panel)

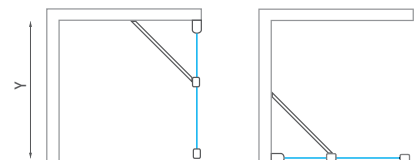
type	ordering No.	installation width (y)	height (h)	profile	glass	delivery method	Price
MI FXP/800	MI FXP 080200 VPE	780-830	2023*	brillant	transparent	0	511 €
MI FXP/900	MI FXP 090200 VPE	880-930	2023*	brillant	transparent	0	524 €
MI FXP/1000	MI FXP 100200 VPE	980-1030	2023*	brillant	transparent	0	541 €
MI FXP/800	MI FXP 080200 NPE	780-830	2023*	black elox	transparent	0	511 €
MI FXP/900	MI FXP 090200 NPE	880-930	2023*	black elox	transparent	0	524 €
MI FXP/1000	MI FXP 100200 NPE	980-1030	2023*	black elox	transparent	0	541 €

h\* - height including supporting elements

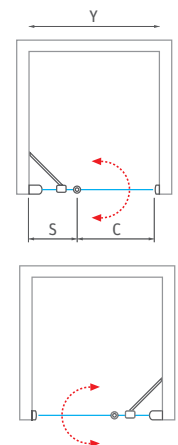
- The cam profile hides a **smart solution** for excessive construction readiness. Turn the segment to get an extra 25mm! You can find more information and the procedure in the assembly instructions.



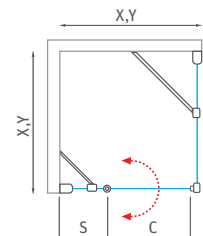
- **MI FXP** - universal LEFT and RIGHT solution



- **MI PIF** - universal LEFT and RIGHT solution



- **MI PIF + MI FXP**



Nominal sizes of shower enclosures are designed for **INSTALLATION ON THE TRAY** and they are always assembled with indentation from the edge of the tray. With **INSTALLATION ON THE TILES** there is a risk, that the size of shower enclosure will be smaller than measured width of the tiles. It is necessary to follow the size charts on "TECHNICAL SPECIFICATION" pages at the end of our catalogue (p. 261-283).

# Melina

for your convenience

# SOFTCLOSE door closing technology

## MI D2L / MI D2R

sliding shower door for niche installation  
or for combination with a side wall MI FX2

- silent movement of the door with slow automatic closing thanks to the SOFTCLOSE system
- a wide selection of dimensional variants of sliding doors with a height of 2050 mm



6 mm ESG Tempered glass  
Transparent



Profile colour  
Brillant / Black elox



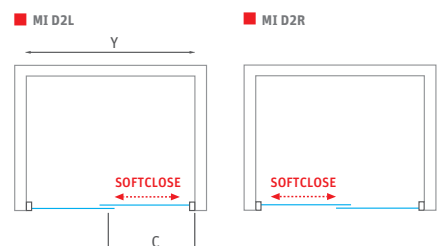
- High quality handle with an elegant design for Black elox version (NPE)

### MI D2L / MI D2R (sliding shower door)

type	ordering No. Brillant version	ordering No. Black elox version	installation width (y)	height (h)	entrance width (c)	profile	glass	delivery method	Price Brillant	Price Black
<b>MI D2L - left</b>										
MI D2L / 1000	MI D2L 100205 VPE	MI D2L 100205 NPE	970-1010	2050	400	brillant / black elox	transparent	0	643 €	676 €
MI D2L / 1100	MI D2L 110205 VPE	MI D2L 110205 NPE	1070-1110	2050	450	brillant / black elox	transparent	0	658 €	693 €
MI D2L / 1200	MI D2L 120205 VPE	MI D2L 120205 NPE	1170-1210	2050	500	brillant / black elox	transparent	0	673 €	709 €
MI D2L / 1300	MI D2L 130205 VPE	MI D2L 130205 NPE	1270-1310	2050	550	brillant / black elox	transparent	0	689 €	725 €
MI D2L / 1400	MI D2L 140205 VPE	MI D2L 140205 NPE	1370-1410	2050	600	brillant / black elox	transparent	0	704 €	741 €
MI D2L / 1500	MI D2L 150205 VPE	MI D2L 150205 NPE	1470-1510	2050	650	brillant / black elox	transparent	0	719 €	757 €
MI D2L / 1600	MI D2L 160205 VPE	MI D2L 160205 NPE	1570-1610	2050	700	brillant / black elox	transparent	0	735 €	773 €
MI D2L / 1700	MI D2L 170205 VPE	MI D2L 170205 NPE	1670-1710	2050	750	brillant / black elox	transparent	0	751 €	790 €
MI D2L / 1800	MI D2L 180205 VPE	MI D2L 180205 NPE	1770-1810	2050	800	brillant / black elox	transparent	0	764 €	804 €
<b>MI D2R - right</b>										
MI D2R / 1000	MI D2R 100205 VPE	MI D2R 100205 NPE	970-1010	2050	400	brillant / black elox	transparent	0	643 €	676 €
MI D2R / 1100	MI D2R 110205 VPE	MI D2R 110205 NPE	1070-1110	2050	450	brillant / black elox	transparent	0	658 €	693 €
MI D2R / 1200	MI D2R 120205 VPE	MI D2R 120205 NPE	1170-1210	2050	500	brillant / black elox	transparent	0	673 €	709 €
MI D2R / 1300	MI D2R 130205 VPE	MI D2R 130205 NPE	1270-1310	2050	550	brillant / black elox	transparent	0	689 €	725 €
MI D2R / 1400	MI D2R 140205 VPE	MI D2R 140205 NPE	1370-1410	2050	600	brillant / black elox	transparent	0	704 €	741 €
MI D2R / 1500	MI D2R 150205 VPE	MI D2R 150205 NPE	1470-1510	2050	650	brillant / black elox	transparent	0	719 €	757 €
MI D2R / 1600	MI D2R 160205 VPE	MI D2R 160205 NPE	1570-1610	2050	700	brillant / black elox	transparent	0	735 €	773 €
MI D2R / 1700	MI D2R 170205 VPE	MI D2R 170205 NPE	1670-1710	2050	750	brillant / black elox	transparent	0	751 €	790 €
MI D2R / 1800	MI D2R 180205 VPE	MI D2R 180205 NPE	1770-1810	2050	800	brillant / black elox	transparent	0	764 €	804 €

### MI D2L / MI D2R (atypical customized solution)

type	width (y)	height (h)	profile	glass	delivery method
MI D2L	up to 1800 mm	up to 2050 mm	brillant / black elox	transparent	Z
MI D2R	up to 1800 mm	up to 2050 mm	brillant / black elox	transparent	Z



Nominal sizes of shower enclosures are designed for INSTALLATION ON THE TRAY and they are always assembled with indentation from the edge of the tray. With INSTALLATION ON THE TILES there is a risk, that the size of shower enclosure will be smaller than measured width of the tiles. It is necessary to follow the size charts on "TECHNICAL SPECIFICATION" pages at the end of our catalogue (p. 261-283).



We wanted to provide you with a real sense of comfort so that you can feel really good in your bathroom. We have therefore equipped our newly designed **MI D2L/MI D2R** sliding doors with the **SOFTCLOSE** automatic closing system. **Black elox (NPE)** variants are now also available.



■ MI D2R - Brillant (VPE)

# Melina

for your convenience

SOFTCLOSE door closing technology

## MI D2L/R + MI FX2

square or rectangular shower enclosure  
with a sliding door and a side panel MI FX2

6 mm ESG Tempered glass  
Transparent



Profile colour  
Brillant / Black elox

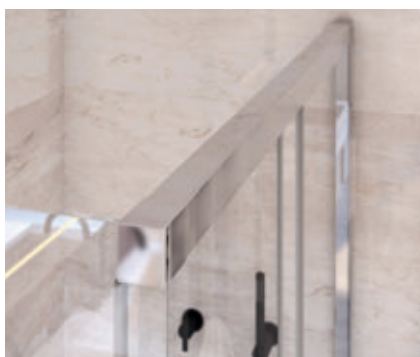


■ MI D2L + MI FX2 - Brillant (VPE)

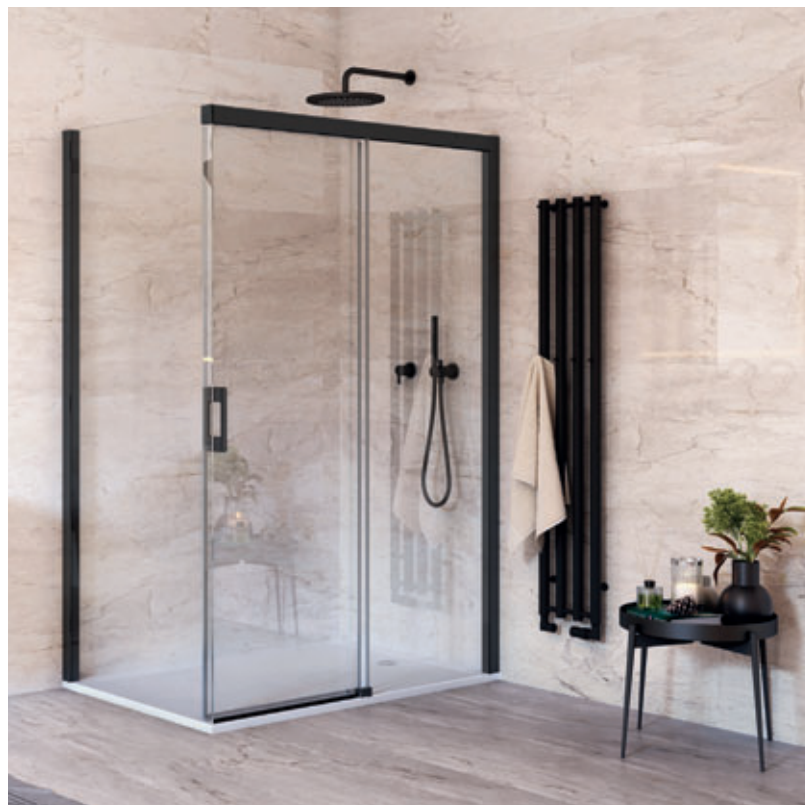


## high-quality execution of all elements

- standard height of 2 050 mm
- universal panel design for right and left installation
- SOFTCLOSE - convenient entry through automatic door closing technology



■ The design of the door rail and side panel connection



■ **MI FX2 + MI D2R** - sliding door with automatic closing system in combination with side panel MI FX2 in the Black elox (NPE) colour finishing

### MI FX2 (side panel)

type	ordering No. Brillant version	ordering No. Black elox version	installation width (y)	height (h)	profile	glass	delivery method	Price Brillant	Price Black
MI FX2/750	MI FX2 075205 VPE	MI FX2 075205 NPE	725-750	2050*	brillant / black elox	transparent	0	251 €	264 €
MI FX2/800	MI FX2 080205 VPE	MI FX2 080205 NPE	775-800	2050*	brillant / black elox	transparent	0	256 €	270 €
MI FX2/900	MI FX2 090205 VPE	MI FX2 090205 NPE	875-900	2050*	brillant / black elox	transparent	0	267 €	282 €
MI FX2/1000	MI FX2 100205 VPE	MI FX2 100205 NPE	975-1000	2050*	brillant / black elox	transparent	0	281 €	295 €
MI FX2/1100	MI FX2 110205 VPE	MI FX2 110205 NPE	1075-1100	2050*	brillant / black elox	transparent	0	292 €	307 €
MI FX2/1200	MI FX2 120205 VPE	MI FX2 120205 NPE	1175-1200	2050*	brillant / black elox	transparent	0	303 €	319 €

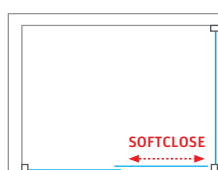
h\* - height including supporting elements

### MI FX2 (atypical customized solution)

type	width (y)	height (h)	profile	glass	delivery method
MI FX2	up to 1400 mm	up to 2000 mm	brillant / black elox	transparent	Z



■ **MI D2L + MI FX2**




■ **MI FX2 + MI D2R**



Nominal sizes of shower enclosures are designed for INSTALLATION ON THE TRAY and they are always assembled with indentation from the edge of the tray. With INSTALLATION ON THE TILES there is a risk, that the size of shower enclosure will be smaller than measured width of the tiles. It is necessary to follow the size charts on "TECHNICAL SPECIFICATION" pages at the end of our catalogue (p. 261-283).

**Walk in Line**  
free space



A close-up photograph of a person's arm and shoulder is shown on the left side of the page, partially obscured by a shower curtain. The skin is wet and glistening with water droplets, set against a background of cascading water.

Enjoy the comfort  
of free space

# Walk in Line

Free space enhanced by the use of large glass panels of safety glass treated with RothETC surface finishing. Make a choice from a broad range of existing shapes and sizes or simply ask for your individual shower solution.

■ discover completely new products with an original look

■ ALINA TWF - a minimalist shower screen solution without a strut with robust 10 mm thick glass

■ products in a modern design with profiles in black colour

## Melina Walk In

for a bathroom with character

attachment to the wall using  
minimalist angular hinges

### MI TWF

large frameless shower screen

- an original look that catches the eye and standard height of 2 metres
- color-matched fittings
- lightweight impression thanks to anchoring elements
- modern RothETC glass treatment for easy maintenance

8 mm ESG Tempered glass  
Transparent



Fitting colour  
Brilliant / Black elox / Gold



## 3 distinctive colour designs



■ **MI TWF GPE** - support bar in Gold colour  
The standard length of 1200 mm can be shortened.



■ **MI TWF NPE** - support bar in Black elox colour  
The standard length of 1200 mm can be shortened.



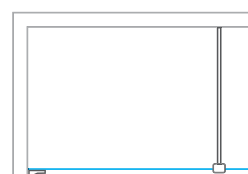
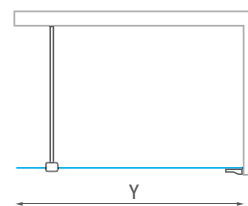
■ **MI TWF VPE** - support bar in Brillant colour  
The standard length of 1200 mm can be shortened.

### MI TWF (frameless shower screen)

type	ordering No.	installation width (y)	height (h)	profile	glass	delivery method	Price
MI TWF/800	MI TWF 080200 VPE	785-800	2004*	brillant	transparent	0	324 €
MI TWF/800	MI TWF 080200 NPE			black elox	transparent	0	339 €
MI TWF/800	MI TWF 080200 GPE			gold	transparent	0	492 €
MI TWF/900	MI TWF 090200 VPE	885-900	2004*	brillant	transparent	0	363 €
MI TWF/900	MI TWF 090200 NPE			black elox	transparent	0	382 €
MI TWF/900	MI TWF 090200 GPE			gold	transparent	0	542 €
MI TWF/1000	MI TWF 100200 VPE	985-1000	2004*	brillant	transparent	0	374 €
MI TWF/1000	MI TWF 100200 NPE			black elox	transparent	0	383 €
MI TWF/1000	MI TWF 100200 GPE			gold	transparent	0	529 €
MI TWF/1100	MI TWF 110200 VPE	1085-1100	2004*	brillant	transparent	0	393 €
MI TWF/1100	MI TWF 110200 NPE			black elox	transparent	0	402 €
MI TWF/1100	MI TWF 110200 GPE			gold	transparent	0	549 €
MI TWF/1200	MI TWF 120200 VPE	1185-1200	2004*	brillant	transparent	0	411 €
MI TWF/1200	MI TWF 120200 NPE			black elox	transparent	0	420 €
MI TWF/1200	MI TWF 120200 GPE			gold	transparent	0	567 €
MI TWF/1300	MI TWF 130200 VPE	1285-1300	2004*	brillant	transparent	0	436 €
MI TWF/1300	MI TWF 130200 NPE			black elox	transparent	0	445 €
MI TWF/1300	MI TWF 130200 GPE			gold	transparent	0	592 €
MI TWF/1400	MI TWF 140200 VPE	1385-1400	2004*	brillant	transparent	0	454 €
MI TWF/1400	MI TWF 140200 NPE			black elox	transparent	0	463 €
MI TWF/1400	MI TWF 140200 GPE			gold	transparent	0	610 €
MI TWF/1500	MI TWF 150200 VPE	1485-1500	2004*	brillant	transparent	0	471 €
MI TWF/1500	MI TWF 150200 NPE			black elox	transparent	0	480 €
MI TWF/1500	MI TWF 150200 GPE			gold	transparent	0	627 €
MI TWF/1600	MI TWF 160200 VPE	1585-1600	2004*	brillant	transparent	0	489 €
MI TWF/1600	MI TWF 160200 NPE			black elox	transparent	0	498 €
MI TWF/1600	MI TWF 160200 GPE			gold	transparent	0	645 €

h\* - height including supporting elements

■ **MI TWF** universal LEFT and RIGHT solution



### MI TWF (atypical customized solution)

type	width (y)	height (h)	profile	glass	delivery method
MI TWF	up to 1600 mm	up to 2000 mm	brillant	transparent	Z
MI TWF	up to 1600 mm	up to 2000 mm	black elox	transparent	Z
MI TWF	up to 1600 mm	up to 2000 mm	gold	transparent	Z

■ **MI TWF GPE** - angular hinge of the gold variant



# Alina Walk In

## minimalist design

### AI TWF

large frameless shower screen

- a modern look made up of just two elements - profile and 10 mm thick transparent glass
- standard height of 2 metres and Roth ETC glass treatment

10 mm ESG Tempered glass  
Transparent



Profile colour  
Brilliant / Black elox



■ AI TWF - right installation on the MARMO NEO shower tray in Black elox (NPE) finishing



■ Detail of the wall profile in Black elox colour finished with a cap.

#### AI TWF (frameless shower screen)

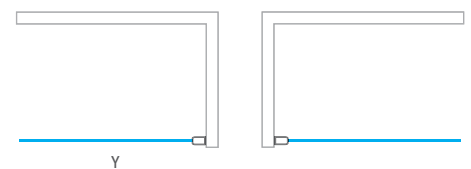
type	ordering No. Brilliant version	ordering No. Black elox version	installation width (y)	height (h)	profile	glass	delivery method	Price
AI TWF/400	AI TWF 040200 VPE	AI TWF 040200 NPE	380-390	2002*	brilliant / black elox	transparent	0	190 €
AI TWF/500	AI TWF 050200 VPE	AI TWF 050200 NPE	480-490	2002*	brilliant / black elox	transparent	0	218 €
AI TWF/600	AI TWF 060200 VPE	AI TWF 060200 NPE	580-590	2002*	brilliant / black elox	transparent	0	246 €
AI TWF/700	AI TWF 070200 VPE	AI TWF 070200 NPE	680-690	2002*	brilliant / black elox	transparent	0	276 €
AI TWF/800	AI TWF 080200 VPE	AI TWF 080200 NPE	780-790	2002*	brilliant / black elox	transparent	0	308 €
AI TWF/900	AI TWF 090200 VPE	AI TWF 090200 NPE	880-890	2002*	brilliant / black elox	transparent	0	350 €
AI TWF/1000	AI TWF 100200 VPE	AI TWF 100200 NPE	980-990	2002*	brilliant / black elox	transparent	0	380 €
AI TWF/1100	AI TWF 110200 VPE	AI TWF 110200 NPE	1080-1090	2002*	brilliant / black elox	transparent	0	408 €
AI TWF/1200	AI TWF 120200 VPE	AI TWF 120200 NPE	1180-1190	2002*	brilliant / black elox	transparent	0	436 €
AI TWF/1400	AI TWF 140200 VPE	AI TWF 140200 NPE	1380-1390	2002*	brilliant / black elox	transparent	0	492 €

h\* - height including supporting elements

■ universal LEFT and RIGHT solution

#### AI TWF (atypical customized solution)

type	width (y)	height (h)	profile	glass	delivery method
AI TWF	up to 1400 mm	up to 2000 mm	brilliant / black elox	transparent	Z





Our latest **AI TWF** walk in shower screen brings to your bathroom the unusual minimalism of brace-free anchoring with **10mm ESG glass**. Robust glass together with a high-quality polished aluminum profile in two colour versions - **Brillant and Black elox** - will look airy in any modern interior.



■ AI TWF - Brillant (VPE)

## Cariba Walk In extra safe

special safety element  
- protective foil on glass

### CI TWF

large shower area solution

- all types with extra protective foil
- available in modern colour Black elox
- modern RothETC glass treatment for easy maintenance

6 mm ESG Tempered glass  
with safety foil  
**Transparent / Pattern**



Profile colour  
**Brillant / Black elox**





# modern look of glass with pattern



■ **CI TWF VPF**  
- Brillant / Transparent safety foil



■ **CI TWF NPF**  
- Black elox / Transparent safety foil



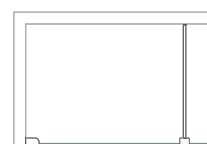
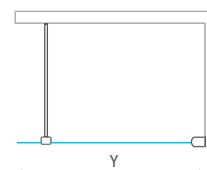
■ **CI TWF VIF**  
- Brillant / Printed safety foil

## CI TWF (large frameless shower screen)

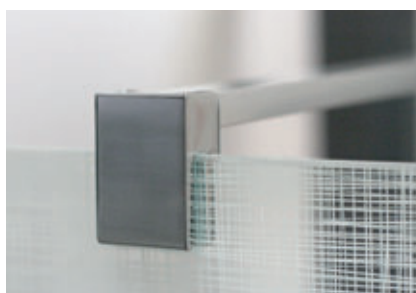
type	ordering No.	installation width (y)	height (h)	profile	glass	delivery method	Price
CI TWF/800	CI TWF 08020 VPF	773-800	2020*	brillant	transparent	0	239 €
CI TWF/800	CI TWF 08020 NPF			black elox	transparent	0	251 €
CI TWF/800	CI TWF 08020 VIF			brillant	pattern	0	254 €
CI TWF/800	CI TWF 08020 NIF			black elox	pattern	0	258 €
CI TWF/900	CI TWF 09020 VPF	873-900	2020*	brillant	transparent	0	262 €
CI TWF/900	CI TWF 09020 NPF			black elox	transparent	0	267 €
CI TWF/900	CI TWF 09020 VIF			brillant	pattern	0	270 €
CI TWF/900	CI TWF 09020 NIF			black elox	pattern	0	275 €
CI TWF/1000	CI TWF 10020 VPF	973-1000	2020*	brillant	transparent	0	284 €
CI TWF/1000	CI TWF 10020 NPF			black elox	transparent	0	289 €
CI TWF/1000	CI TWF 10020 VIF			brillant	pattern	0	293 €
CI TWF/1000	CI TWF 10020 NIF			black elox	pattern	0	298 €
CI TWF/1100	CI TWF 11020 VPF	1073-1100	2020*	brillant	transparent	0	306 €
CI TWF/1100	CI TWF 11020 NPF			black elox	transparent	0	312 €
CI TWF/1100	CI TWF 11020 VIF			brillant	pattern	0	316 €
CI TWF/1100	CI TWF 11020 NIF			black elox	pattern	0	321 €
CI TWF/1200	CI TWF 12020 VPF	1173-1200	2020*	brillant	transparent	0	328 €
CI TWF/1200	CI TWF 12020 NPF			black elox	transparent	0	334 €
CI TWF/1200	CI TWF 12020 VIF			brillant	pattern	0	339 €
CI TWF/1200	CI TWF 12020 NIF			black elox	pattern	0	345 €
CI TWF/1400	CI TWF 14020 VPF	1373-1400	2020*	brillant	transparent	0	374 €
CI TWF/1400	CI TWF 14020 NPF			black elox	transparent	0	380 €
CI TWF/1400	CI TWF 14020 VIF			brillant	pattern	0	386 €
CI TWF/1400	CI TWF 14020 NIF			black elox	pattern	0	393 €

h\* - height including supporting elements

■ **CI TWF** - universal LEFT and RIGHT solution



■ Vertical aluminium wall profiles



■ Support bar of the screen (max. 1 200 mm)

# Cariba support bar TWP

## original solution

### CI TWP

**CI TWP - combinable profile support bar for anchoring to the wall or to the ceiling to stabilize walk-in products such as the CI TWF**

- modern solution in two colour variants - Brillant and Black elox
- large range for installation when anchored to the ceiling
- the possibility of combining with several products with at a glass thickness of 6 mm - ask your seller



Profile colour  
**Brillant / Black elox**



■ Horizontal anchoring provides reliable fixation



■ Vertical fixation to the ceiling allows a solution if horizontal anchoring is not possible, for example due to a window.



■ The bottom of the support bar can rest on the tray or directly on the tiles.



#### CI TWP (combinable support bar)

type	ordering No.	installation dimension of anchoring to the wall (a)	height for anchoring to the ceiling (h)	profile	delivery method	Price
CI TWP	CI TWP 3000 VE	700-1200	2150-3000	brillant	0	110 €
CI TWP	CI TWP 3000 NE	700-1200	2150-3000	black elox	0	110 €



Our original **combinable support bar CI TWP**, which you can choose from two colour variants, expands the possibilities of installing walk-in shower screens. Whether you choose to fix the strut at a right angle to the wall, or you prefer vertical anchoring to the ceiling, you can always rely on the CI TWP support solution.



■ CI TWF + CI TWP

# Philly Loft

industrial design

convenient entrance  
without door



■ PHILLY LOFT HORIZON

## PHILLY LOFT HORIZON

large space shower screen

- modern industrial design with profiles in Black elox colour
- RothETC glass treatment for easy maintenance
- easy installation and reliable functionality



6 mm ESG Tempered glass  
**Transparent**



Profile colour  
**Black elox**

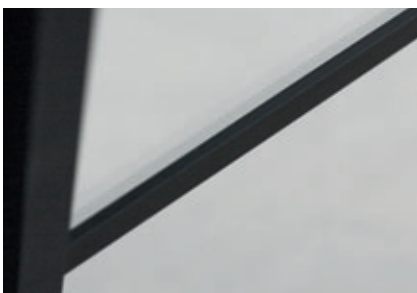


### PHILLY LOFT HORIZON (large shower area solution)

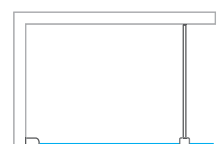
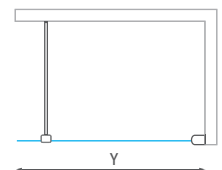
type	ordering No.	installation width (y)	height (h)	profile	glass	delivery method	Price
PHILLY LOFT HORIZON 800	PLH 08020 NPE	780–790	2003*	black elox	transparent	0	271 €
PHILLY LOFT HORIZON 900	PLH 09020 NPE	880–890	2003*	black elox	transparent	0	291 €
PHILLY LOFT HORIZON 1000	PLH 10020 NPE	980–990	2003*	black elox	transparent	0	310 €
PHILLY LOFT HORIZON 1200	PLH 12020 NPE	1180–1190	2003*	black elox	transparent	0	350 €
PHILLY LOFT HORIZON 1400	PLH 14020 NPE	1380–1390	2003*	black elox	transparent	0	390 €

h\* - height including supporting elements

- universal LEFT and RIGHT solution



- Horizontal aluminum profiles on the outside of the glass and support bar (max. 1200 mm) in Black elox finishing



standard support bar length  
maximum 1 000 mm



## WALK IN

we offer large frameless shower screens  
in many custom combinations

- choose from the drawings a combination according to your needs
- „mirror effect“ option for any glass- see page 116 - 117
- RothETC glass treatment for easy maintenance

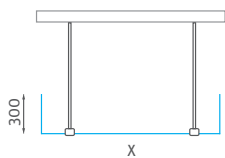


8 mm ESG Tempered glass  
**Transparent 02**

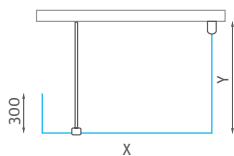


Profile colour  
**Brillant 00**

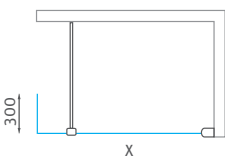
■ WALK A



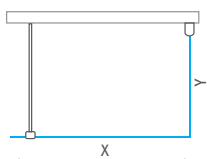
■ WALK B



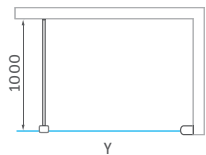
■ WALK C



■ WALK F



■ WALK G

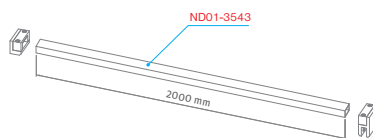


### WALK A, B, C, F, G a H (atypical customized solution)

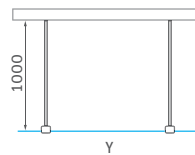
type	width (x/y)	height (h)	profile	glass	delivery method
WALK A	up to 1500 mm	up to 2000 mm	brillant	transparent	Z
WALK B	up to 1500 mm	up to 2000 mm	brillant	transparent	Z
WALK C	up to 1500 mm	up to 2000 mm	brillant	transparent	Z
WALK F	up to 1500 mm	up to 2000 mm	brillant	transparent	Z
WALK G	up to 1500 mm	up to 2000 mm	brillant	transparent	Z
WALK H	up to 1500 mm	up to 2000 mm	brillant	transparent	Z

**Support bar** - if you need a longer bar than the standard 100 cm, you can order this longer version (2000 cm) and shorten it to the required length during assembly

type	ordering No.	profile	delivery method	Price
SUPPORT BAR - length 2000 mm	ND01-3543	brillant	S	19 €



■ WALK H



■ The hinge screws are embedded in the glass level

**Walk In Line**  
free space

convenient entrance  
without door

## ECWALK

large frameless shower screen

- modern industrial design in two profile colours
- standard height 2050 mm

6 mm ESG Tempered glass  
**Transparent 02**



Profile colour  
**Brilliant 00 / Black elox 05**



■ ECWALK Black elox

standard support bar length  
maximum 1 200 mm



■ Bracket in Black elox finish (bar length to 1 200 mm)



■ Bracket in Brillant finish (bar length to 1 200 mm)

### ECWALK (frameless shower screen)

type	ordering No.	installation width (y)	height (h)	profile	glass	delivery method	Price
ECWALK/900	585-9000000-05-02	888-912	2075*	black elox	transparent	0	282 €
ECWALK/1000	585-1000000-05-02	988-1012	2075*	black elox	transparent	0	296 €
ECWALK/1200	585-1200000-05-02	1188-1212	2075*	black elox	transparent	0	332 €
ECWALK/1400	585-1400000-05-02	1388-1412	2075*	black elox	transparent	0	362 €
ECWALK/900	585-9000000-00-02	888-912	2075*	brillant	transparent	0	282 €
ECWALK/1000	585-1000000-00-02	988-1012	2075*	brillant	transparent	0	296 €
ECWALK/1200	585-1200000-00-02	1188-1212	2075*	brillant	transparent	0	332 €
ECWALK/1400	585-1400000-00-02	1388-1412	2075*	brillant	transparent	0	362 €

h\* - height including supporting elements

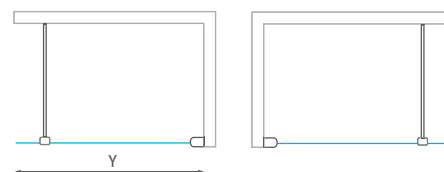


■ Protective aluminum profile on the bottom of the glass

### ECWALK (atypical customized solution)

type	width (y)	height (h)	profile	glass	delivery method
ECWALK	up to 1500 mm	up to 2050 mm	black elox	transparent	Z
ECWALK	up to 1500 mm	up to 2050 mm	brillant	transparent	Z

■ ECWALK - universal LEFT and RIGHT solution



Nominal sizes of shower enclosures are designed for INSTALLATION ON THE TRAY and they are always assembled with indentation from the edge of the tray. With INSTALLATION ON THE TILES there is a risk, that the size of shower enclosure will be smaller than measured width of the tiles. It is necessary to follow the size charts on "TECHNICAL SPECIFICATION" pages at the end of our catalogue (p. 261-283).

**Elegant Neo Line**  
lightness and elegance

# Elegant Neo Line

Lightness, purity and elegance - the main attributes underlining the airy design of glass

Do you want have pure lines, quality materials in your bathroom, and do not want to be limited by a small range of installation dimensions?  
The ELEGANT NEO series will fulfill these requirements without any compromise. Timeless design of hinges and handles made of high quality steel underlined by the integrated minimalist braces to ensure perfect stability.

■ unrivaled range of installation dimensions

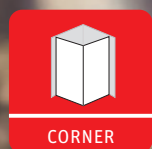
■ one type of door for all combinations

■ integrated door bracing profiles





QUADRANT



CORNER



NICHE

# Elegant Neo Line

lightness and elegance

unrivalled range  
of installation dimensions

## GR2N

quadrant shower enclosure  
with a double-door opening

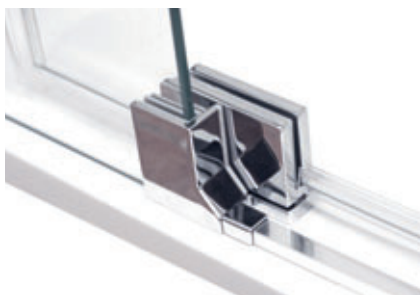
- high quality stainless steel hinges
- integrated door bracing profiles
- standard height 2 000 mm



6 mm ESG Tempered glass  
Transparent O2



Profile colour  
Brillant OO



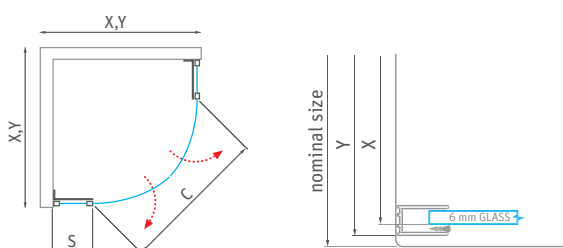
■ Chrome-plated fittings allows easy glass movement and setting installation dimensions up to 100 mm

■ Elegant design of the metal handle

### GR2N (quadrant shower enclosure with a double-door opening)

type	ordering No.	installation width (y)	height (h)	door width (c)	side part width (s)	profile	glass	delivery method	Price
GR2N / 900-1000	187-1000000-00-02	885-985	2015*	710-900	290	brillant	transparent	S	830 €
GR2N / 1000-1100	187-1100000-00-02	985-1085	2015*	860-1050	290	brillant	transparent	S	878 €

R - standard radius R550, h\* - height including supporting elements



Nominal sizes of shower enclosures are designed for INSTALLATION ON THE TRAY and they are always assembled with indentation from the edge of the tray. With INSTALLATION ON THE TILES there is a risk, that the size of shower enclosure will be smaller than measured width of the tiles. It is necessary to follow the size charts on "TECHNICAL SPECIFICATION" pages at the end of our catalogue (p. 261-283).



Products from **ELEGANT NEO** series allows you to use standard - produced dimensions with high flexibility of nominal dimensions from 700 to 1 200 mm.



■ GR2N

**Elegant Neo Line**  
lightness and elegance

one door will  
solve a lot of situations

## **GDO1N**

single shower door with fixed element

6 mm ESG Tempered glass  
**Transparent 02**



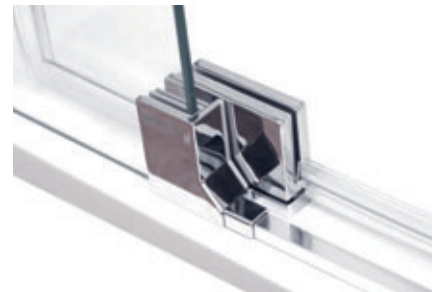
Profile colour  
**Brillant 00**



■ GDO1N + GDO1N

# universal left and right solution

- one type of door for all combinations
  - corner entry with a double door opening
  - single door opening with a side panel
  - single shower door for a niche



■ Integrated bracing profile together with hinges in chrome finish ensures perfect door stability

■ Fittings allows easy glass movement and setting installation dimensions up to 100 mm

## GDO1N (hinged shower door)

type	ordering No.	installation width (y)	height (h)	door width (c)	side part width (s)	profile	glass	delivery method	Price
GDO1N/800	188-8000000-00-02	685-785	2015*	380-480	290	brillant	transparent	S	295 €
GDO1N/900	188-9000000-00-02	785-885	2015*	480-580	290	brillant	transparent	S	318 €
GDO1N/1000	188-1000000-00-02	885-985	2015*	580-680	290	brillant	transparent	S	340 €
GDO1N/1100	188-1100000-00-02	985-1085	2015*	680-780	290	brillant	transparent	S	363 €
GDO1N/1200	188-1200000-00-02	1085-1185	2015*	780-880	290	brillant	transparent	S	385 €

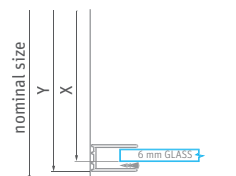
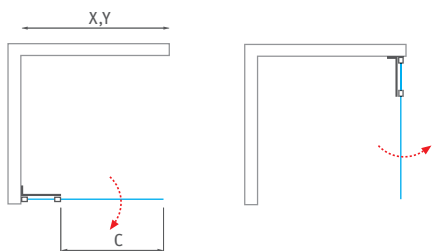
h\* - height including supporting elements

## GDO1N (atypical customized solution)

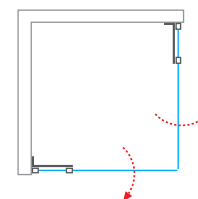
type	width (y)	height (h)	profile	glass	delivery method
GDO1N	up to 1200 mm	up to 2000 mm	brillant	transparent	Z

Note: Atypical width is only possible for the door part of the product

■ GDO1N - universal LEFT and RIGHT solution



■ GDO1N + GDO1N - square or rectangular shower with a double door opening



Nominal sizes of shower enclosures are designed for INSTALLATION ON THE TRAY and they are always assembled with indentation from the edge of the tray. With INSTALLATION ON THE TILES there is a risk, that the size of shower enclosure will be smaller than measured width of the tiles. It is necessary to follow the size charts on "TECHNICAL SPECIFICATION" pages at the end of our catalogue (p. 261-283).

# Elegant Neo Line

lightness and elegance

one door will solve  
a lot of situations



## GDO1N + GBN

square or rectangular shower enclosure  
with a single opening door and a side panel

- up to 15 combinations of size variants
- great variability of door installation settings
- stabilizing components made of quality stainless steel underline the clean design of the series



6 mm ESG Tempered glass  
**Transparent O2**



Profile colour  
**Brillant OO**



### GBN (side panel to GDO1N)

type	ordering No.	installation width (y)	height (h)	door width (c)	profile	glass	delivery method	Price
GBN/800	189-8000000-00-02	775-785	2005*	-	brillant	transparent	S	226 €
GBN/900	189-9000000-00-02	875-885	2005*	-	brillant	transparent	S	244 €
GBN/1000	189-1000000-00-02	975-985	2005*	-	brillant	transparent	S	268 €

h\* - height including supporting elements

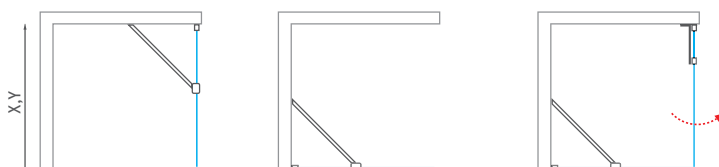
### GBN (atypical customized solution)

type	width (y)	height (h)	profile	glass	delivery method
GBN	up to 1000 mm	up to 2000 mm	brillant	transparent	Z



■ GBN - universal LEFT and RIGHT solution

■ GDO1N + GBN



- Flexible side wall support bar allows you to set different angles and also solves any wall irregularities



Nominal sizes of shower enclosures are designed for INSTALLATION ON THE TRAY and they are always assembled with indentation from the edge of the tray. With INSTALLATION ON THE TILES there is a risk, that the size of shower enclosure will be smaller than measured width of the tiles. It is necessary to follow the size charts on "TECHNICAL SPECIFICATION" pages at the end of our catalogue (p. 261-283).

# universal left and right solution



## GDO1N + GZN

single opening shower door with a set of profiles GZN for installation to a niche

- great variability of door installation settings
- quality processing of functional elements
- universally oriented installation and convenient maintenance thanks to the glass treatment



6 mm ESG Tempered glass  
**Transparent 02**



Profile colour  
**Brillant 00**

GZN (set of profiles)								
type	ordering No.	installation width (y)	height (h)	door width (c)	profile	glass	delivery method	Price
GZN	191-0000000-00	26	1994	-	brillant	-	S	76 €



GZN (atypical customized solution)					
type	width (y)	height (h)	profile	glass	delivery method
GZN	-	up to 2000 mm	brillant	-	Z

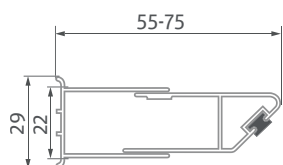
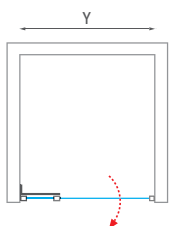


Nominal sizes of shower enclosures are designed for INSTALLATION ON THE TRAY and they are always assembled with indentation from the edge of the tray. With INSTALLATION ON THE TILES there is a risk, that the size of shower enclosure will be smaller than measured width of the tiles. It is necessary to follow the size charts on "TECHNICAL SPECIFICATION" pages at the end of our catalogue (p. 261-283).

■ **GDO1N + GZN** - single shower door for a niche

■ **GZN** - set of profiles

■ **GDO1N + GZN** - the solution of the threshold bar does not allow the expansion of the installation dimension beyond the width of the GDO1N door installation, therefore this dimension is the same even for the combination with the GZN set



niche solution	installation width (Y)
GDO1N/800 + GZN	685-785
GDO1N/900 + GZN	785-885
GDO1N/1000 + GZN	885-985
GDO1N/1100 + GZN	985-1085
GDO1N/1200 + GZN	1085-1185

## Belita

lightness and elegance

easy movement of the door  
with opening in both directions

## BI PF2 + BI FXP

square or rectangular shower enclosure  
with a single opening door and a side panel BI FXP

8 mm ESG Tempered glass  
Transparent



Profile colour  
Brillant / Black elox



■ BI PF2 + BI FXP



## universal left and right solution

- standard door sizes from 800 to 1 200 mm
- see page 257 for technical specifications
- available in modern colour Black elox
- quality lifting mechanism for comfortable opening in and out



■ Chrome fittings allow easy movement of the door



■ Rectangular combination of BI PF2 + BI FXP in modern Black elox finish

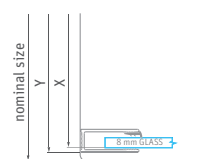
### BI PF2 (single shower door)

type	ordering No.	installation width (y)	height (h)	door width (c)	side part width (s)	profile	glass	delivery method	Price
BI PF2/800	BI PF2 08020 VPE	782–807	2019*	487	272–297	brillant	transparent	0	346 €
BI PF2/800	BI PF2 08020 NPE					black elox	transparent	0	357 €
BI PF2/900	BI PF2 09020 VPE	882–907	2019*	587	272–297	brillant	transparent	0	373 €
BI PF2/900	BI PF2 09020 NPE					black elox	transparent	0	384 €
BI PF2/1000	BI PF2 10020 VPE	982–1007	2019*	587	372–397	brillant	transparent	0	391 €
BI PF2/1000	BI PF2 10020 NPE					black elox	transparent	0	402 €
BI PF2/1200	BI PF2 12020 VPE	1182–1207	2019*	637	522–547	brillant	transparent	0	445 €
BI PF2/1200	BI PF2 12020 NPE					black elox	transparent	0	458 €

### BI FXP (side panel to door BI PF2)

BI FXP/800	BI FXP 08020 VPE	768–793	2020*	—	—	brillant	transparent	0	233 €
BI FXP/800	BI FXP 08020 NPE					black elox	transparent	0	238 €
BI FXP/900	BI FXP 09020 VPE	868–893	2020*	—	—	brillant	transparent	0	253 €
BI FXP/900	BI FXP 09020 NPE					black elox	transparent	0	259 €
BI FXP/1000	BI FXP 10020 VPE	968–993	2020*	—	—	brillant	transparent	0	278 €
BI FXP/1000	BI FXP 10020 NPE					black elox	transparent	0	284 €

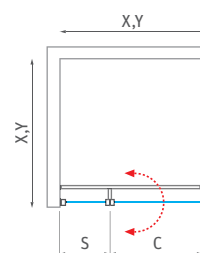
h\* - height including supporting elements



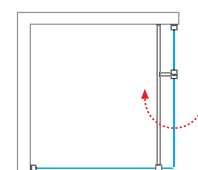
### BI PF2 / BI FXP (atypical customized solution)

type	width (y)	height (h)	profile	glass	delivery method
BI PF2	up to 1200 mm	up to 2000 mm	brillant	transparent	Z
BI PF2	up to 1200 mm	up to 2000 mm	black elox	transparent	Z
BI FXP	up to 1000 mm	up to 2000 mm	brillant	transparent	Z
BI FXP	up to 1000 mm	up to 2000 mm	black elox	transparent	Z

#### ■ BI PF2 + BI FXP



#### ■ BI FXP + BI PF2



Nominal sizes of shower enclosures are designed for INSTALLATION ON THE TRAY and they are always assembled with indentation from the edge of the tray. With INSTALLATION ON THE TILES there is a risk, that the size of shower enclosure will be smaller than measured width of the tiles. It is necessary to follow the size charts on "TECHNICAL SPECIFICATION" pages at the end of our catalogue (p. 261–283).

# Belita

lightness and elegance

easy movement of the door  
with opening in both directions

## BI PF2 + BI SET

single opening shower door with a set of profiles BI SET  
for installation to a niche

- convenient opening in and out
- standard height 2 000 mm
- universal installation and convenient maintenance thanks to special glass treatment RothETC



8 mm ESG Tempered glass  
Transparent



Profile colour  
Brilliant / Black elox



■ Chrome fittings allow easy movement of the door in both directions



■ Elegant design of chrome handle

### BI PF2 (single shower door)

type	ordering No.	installation width (y)	height (h)	door width (c)	side part width (s)	profile	glass	delivery method	Price
BI PF2/800	BI PF2 08020 VPE	782-807	2019*	487	240	brillant	transparent	0	346 €
BI PF2/800	BI PF2 08020 NPE					black elox	transparent	0	357 €
BI PF2/900	BI PF2 09020 VPE	882-907	2019*	587	240	brillant	transparent	0	373 €
BI PF2/900	BI PF2 09020 NPE					black elox	transparent	0	384 €
BI PF2/1000	BI PF2 10020 VPE	982-1007	2019*	587	340	brillant	transparent	0	391 €
BI PF2/1000	BI PF2 10020 NPE					black elox	transparent	0	402 €
BI PF2/1200	BI PF2 12020 VPE	1182-1207	2019*	637	490	brillant	transparent	0	445 €
BI PF2/1200	BI PF2 12020 NPE					black elox	transparent	0	458 €

### BI SET (set of profiles)

BI SET	BI SET 2000 VE	15-25	2002	-	-	brillant	transparent	0	64 €
BI SET	BI SET 2000 NE					black elox	transparent	0	74 €

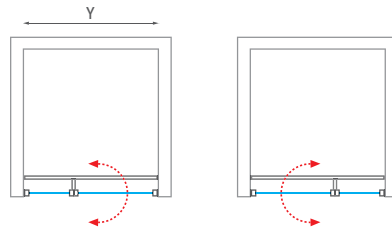
h\* - height including supporting elements

### BI SET (atypical customized solution)

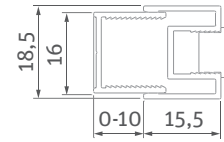
type	width (y)	height (h)	profile	glass	delivery method
BI SET	-	up to 2000 mm	brillant	transparent	Z
BI SET	-	up to 2000 mm	black elox	transparent	Z

installation to a niche	installation width (Y)
BI PF2/800 + BI SET	775-810
BI PF2/900 + BI SET	875-910
BI PF2/1000 + BI SET	975-1010
BI PF2/1200 + BI SET	1175-1210

■ **BI PF2 + BI SET**  
single shower door to a niche



■ **BI SET** - set of profiles



■ **BI PF2 + BI SET**

**Cariba**

solutions for every bathroom

**NEW**

Diversity that inspires.

The widest selection of shapes and variants in one series.

**...now available in Black elox finish!**

# Cariba Line

Tuned look down to the smallest detail in perfect harmony of metal and glass. Let yourself be carried away by the wave of relaxation, dreaming and well-being ... Don't rush, you have just discovered it. The Cariba series brings the right solution for every bathroom. ....

■ With the exception of hinged doors, you can now choose products in a modern black design

■ High-quality lifting mechanism for comfortable double-sided opening

■ Easy maintenance thanks to sophisticated technical elements



QUADRANT



CORNER



NICHE



„U“ CABIN

# Cariba Line

solutions for every bathroom

innovated lifting mechanism for opening

## CI P55

quadrant shower enclosure  
with a double-door opening with fixed part

- convenient entry through double-sided opening in and out
- standard height 2 000 mm
- precise design, now also in Black elox design



6 mm ESG Tempered glass  
**Transparent**



Profile colour  
**Brilliant / Black elox**



■ The innovated lifting mechanism ensures easy door opening

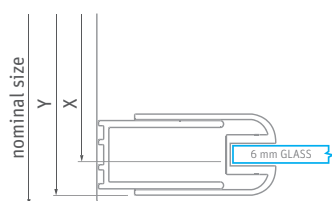
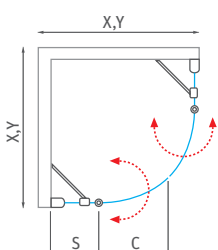


■ Robust chrome finished metal handle

### CI P55 (quadrant shower enclosure with a double-door opening)

type	ordering No.	installation width (y)	height (h)	door width (c)	side part width (s)	profile	glass	delivery method	Price
CI P55/900	CI P55 090200 VPE	867-892	2023*	455	275-300	brilliant	transparent	0	670 €
CI P55/900	CI P55 090200 NPE	867-892	2023*	455	275-300	black elox	transparent	0	670 €
CI P55/1000	CI P55 100200 VPE	967-992	2023*	455	375-400	brilliant	transparent	0	688 €
CI P55/1000	CI P55 100200 NPE	967-992	2023*	455	375-400	black elox	transparent	0	688 €

R - standard radius R550, h\* - height including supporting elements



Nominal sizes of shower enclosures are designed for **INSTALLATION ON THE TRAY** and they are always assembled with indentation from the edge of the tray. With **INSTALLATION ON THE TILES** there is a risk, that the size of shower enclosure will be smaller than measured width of the tiles. It is necessary to follow the size charts on "TECHNICAL SPECIFICATION" pages at the end of our catalogue (p. 261-283)..



Opening by means of a lifting mechanism inwards and outwards in combination with high-quality metal elements ensuring the long service life - this is our **Cariba Line** series.



■ CI P55

# Cariba Line

solutions for every bathroom

innovated lifting  
mechanism for opening

## CI EPF + CI EPF

square or rectangular shower enclosure  
with a double-door opening with fixed part

6 mm ESG Tempered glass  
Transparent



Profile colour  
Brillant / Black elox



■ CI EPF + CI EPF



# focused on easy maintenance

- new variants in Black elox colour
- metal functional elements ensuring a long product life
- convenient entry through double-sided opening in and out



- Flexible support bar allows you to set different angles and also solves any wall irregularities



- **CI EPF + CI FXG** - combination of the single opening door and the side wall CI FXG - Black elox design

## CI EPF (single opening shower door)

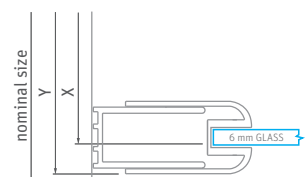
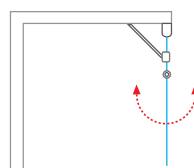
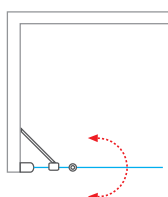
type	ordering No.	installation width (y)	height (h)	door width (c)	side part width (s)	profile	glass	delivery method	Price
CI EPF/800	CI EPF 080200 VPE	767-792	2023*	475	275-300	brillant	transparent	0	352 €
CI EPF/800	CI EPF 080200 NPE	767-792	2023*	475	275-300	black elox	transparent	0	352 €
CI EPF/900	CI EPF 090200 VPE	867-892	2023*	575	275-300	brillant	transparent	0	362 €
CI EPF/900	CI EPF 090200 NPE	867-892	2023*	575	275-300	black elox	transparent	0	362 €
CI EPF/1000	CI EPF 100200 VPE	967-992	2023*	625	325-350	brillant	transparent	0	372 €
CI EPF/1000	CI EPF 100200 NPE	967-992	2023*	625	325-350	black elox	transparent	0	372 €
CI EPF/1100	CI EPF 110200 VPE	1067-1092	2023*	725	325-350	brillant	transparent	0	382 €
CI EPF/1100	CI EPF 110200 NPE	1067-1092	2023*	725	325-350	black elox	transparent	0	382 €
CI EPF/1200	CI EPF 120200 VPE	1167-1192	2023*	725	425-450	brillant	transparent	0	392 €
CI EPF/1200	CI EPF 120200 NPE	1167-1192	2023*	725	425-450	black elox	transparent	0	392 €

h\* - height including supporting elements

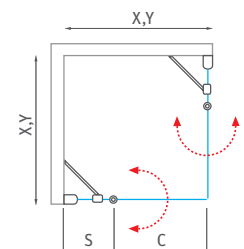
## CI EPF (atypical customized solution)

type	width (y)	height (h)	profile	glass	delivery method
CI EPF	up to 1400 mm	up to 2000 mm	brillant / black elox	transparent	Z
CI EPF	up to 1400 mm	up to 2000 mm	brillant / black elox	rauch	Z
CI EPF	up to 1400 mm	up to 2000 mm	brillant / black elox	satinato	Z
CI EPF	up to 1400 mm	up to 2000 mm	brillant / black elox	misty	Z

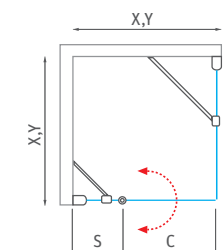
- **CI EPF** - universal LEFT and RIGHT solution



- **CI EPF + CI EPF**



- **CI EPF + CI FXG**



Nominal sizes of shower enclosures are designed for INSTALLATION ON THE TRAY and they are always assembled with indentation from the edge of the tray. With INSTALLATION ON THE TILES there is a risk, that the size of shower enclosure will be smaller than measured width of the tiles. It is necessary to follow the size charts on "TECHNICAL SPECIFICATION" pages at the end of our catalogue (p. 261-283).

**Cariba Line**  
solutions for every bathroom

innovated lifting  
mechanism for opening

## CI PIG + CI PIG

square or rectangular shower enclosure  
with a double-door opening

6 mm ESG Tempered glass  
Transparent



Profile colour  
Brillant / Black elox



■ CI PIG + CI PIG - Black elox

## focused on easy maintenance

- quality lifting mechanism for convenient opening inside and outside
- standard height 2 000 mm
- RothETC glass surface treatment for easy maintenance
- newly in Black elox design



- Threshold strip with bottom seal ensures perfect tightness



- **CI PIG + CI FXG** - combination of the single opening door and the side wall CI FXG

### CI PIG (single shower door)

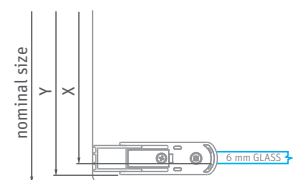
type	ordering No.	installation width (y)	height (h)	door width (c)	profile	glass	delivery method	Price
CI PIG/800	CI PIG 080200 VPE	767-792	2002*	675	brillant	transparent	0	310 €
CI PIG/800	CI PIG 080200 NPE	767-792	2002*	675	black elox	transparent	0	310 €
CI PIG/900	CI PIG 090200 VPE	867-892	2002*	775	brillant	transparent	0	320 €
CI PIG/900	CI PIG 090200 NPE	867-892	2002*	775	black elox	transparent	0	320 €
CI PIG/1000	CI PIG 100200 VPE	967-992	2002*	875	brillant	transparent	0	330 €
CI PIG/1000	CI PIG 100200 NPE	967-992	2002*	875	black elox	transparent	0	330 €

h\* - height including supporting elements

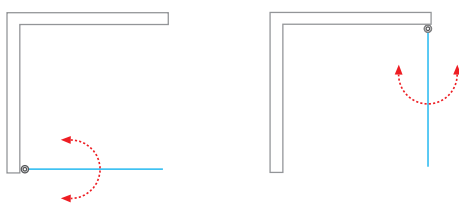


### CI PIG (atypical customized solution)

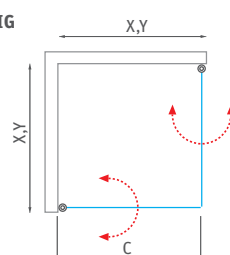
type	width (y)	height (h)	profile	glass	delivery method
CI PIG	up to 1000 mm	up to 2000 mm	brillant / black elox	transparent	Z
CI PIG	up to 1000 mm	up to 2000 mm	brillant / black elox	rauch	Z
CI PIG	up to 1000 mm	up to 2000 mm	brillant / black elox	satinato	Z
CI PIG	up to 1000 mm	up to 2000 mm	brillant / black elox	misty	Z



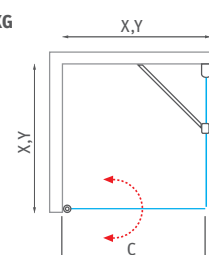
- **CI PIG** - universal LEFT and RIGHT solution



- **CI PIG + CI PIG**



- **CI PIG + CI FXG**



Nominal sizes of shower enclosures are designed for INSTALLATION ON THE TRAY and they are always assembled with indentation from the edge of the tray. With INSTALLATION ON THE TILES there is a risk, that the size of shower enclosure will be smaller than measured width of the tiles. It is necessary to follow the size charts on "TECHNICAL SPECIFICATION" pages at the end of our catalogue (p. 261-283).

# Cariba Line

solutions for every bathroom

innovated lifting  
mechanism for opening

## CI 2CL + CI 2CR

square or rectangular shower enclosure  
with folding shower door and pivot system

6 mm ESG Tempered glass  
**Transparent**



Profile colour  
**Brillant**



■ CI 2CL + CI 2CR

## quality processing to the last detail

- possibility to fold the door completely to the wall
- quality sealing elements and convenient maintenance



■ Embedded door hinges on the inside for easy cleaning

■ CI 2CL + CI FXG - folding shower door with the side wall CI FXG

### CI 2CL/ CI 2CR (folding shower door with pivot system)

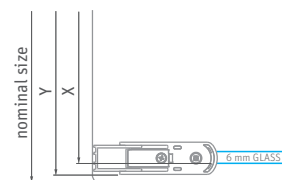
type	ordering No.	installation width (y)	height (h)	width (c1)	width (c2)	profile	glass	delivery method	Price
CI 2CL/800	CI 2CL 080200 VPE	767-792	2002*	335	340	brillant	transparent	0	452 €
CI 2CL/900	CI 2CL 090200 VPE	867-892	2002*	385	390	brillant	transparent	0	460 €
CI 2CL/1000	CI 2CL 100200 VPE	967-992	2002*	435	440	brillant	transparent	0	468 €
CI 2CR/800	CI 2CR 080200 VPE	767-792	2002*	335	340	brillant	transparent	0	452 €
CI 2CR/900	CI 2CR 090200 VPE	867-892	2002*	385	390	brillant	transparent	0	460 €
CI 2CR/1000	CI 2CR 100200 VPE	967-992	2002*	435	440	brillant	transparent	0	468 €



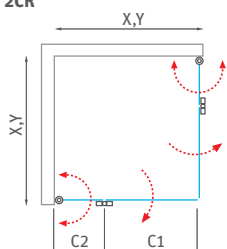
h\* - height including supporting elements

### CI 2CL/ CI 2CR (atypical customized solution)

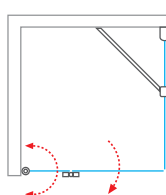
type	width (y)	height (h)	profile	glass	delivery method
CI 2CL/CI 2CR	up to 1200 mm	up to 2000 mm	brillant	transparent	Z
CI 2CL/CI 2CR	up to 1200 mm	up to 2000 mm	brillant	rauch	Z
CI 2CL/CI 2CR	up to 1200 mm	up to 2000 mm	brillant	satinato	Z
CI 2CL/CI 2CR	up to 1200 mm	up to 2000 mm	brillant	misty	Z



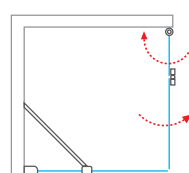
#### ■ CI 2CL + CI 2CR



#### ■ CI 2CL+ CI FXG



#### ■ CI FXG + CI 2CR



Nominal sizes of shower enclosures are designed for INSTALLATION ON THE TRAY and they are always assembled with indentation from the edge of the tray. With INSTALLATION ON THE TILES there is a risk, that the size of shower enclosure will be smaller than measured width of the tiles. It is necessary to follow the size charts on "TECHNICAL SPECIFICATION" pages at the end of our catalogue (p. 261-283).

# Cariba Line

solutions for every bathroom

tuned design  
of metal elements



## CI FXG

side wall for combination with opening  
door CI EPF, CI PIG or CI 2CL/2CR

- RothETC glass surface treatment for easy maintenance
- new variants in Black elox colour
- glass height 1 978 mm



6 mm ESG Tempered glass  
**Transparent**



Profile colour  
**Brillant / Black elox**



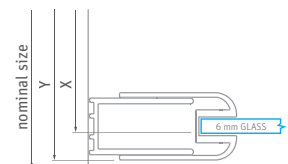
### CI FXG (side panel)

type	ordering No.	installation width (y)	height (h)	door width (c)	profile	glass	delivery method	Price
CI FXG/800	CI FXG 080200 VPE	768-793	2001*	—	brillant	transparent	0	220 €
CI FXG/800	CI FXG 080200 NPE	768-793	2001*	—	black elox	transparent	0	220 €
CI FXG/900	CI FXG 090200 VPE	868-893	2001*	—	brillant	transparent	0	240 €
CI FXG/900	CI FXG 090200 NPE	868-893	2001*	—	black elox	transparent	0	240 €
CI FXG/1000	CI FXG 100200 VPE	968-993	2001*	—	brillant	transparent	0	260 €
CI FXG/1000	CI FXG 100200 NPE	968-993	2001*	—	black elox	transparent	0	260 €

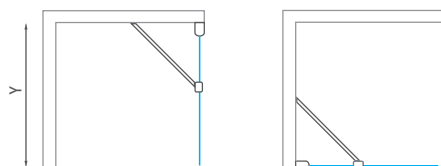
h\* - height including supporting elements

### CI FXG (atypical customized solution)

type	width (y)	height (h)	profile	glass	delivery method
CI FXG	up to 1200 mm	up to 2000 mm	brillant / black elox	transparent	Z
CI FXG	up to 1200 mm	up to 2000 mm	brillant / black elox	rauch	Z
CI FXG	up to 1200 mm	up to 2000 mm	brillant / black elox	satinato	Z
CI FXG	up to 1200 mm	up to 2000 mm	brillant / black elox	misty	Z



- CI FXG -universal LEFT and RIGHT solution



Nominal sizes of shower enclosures are designed for INSTALLATION ON THE TRAY and they are always assembled with indentation from the edge of the tray. With INSTALLATION ON THE TILES there is a risk, that the size of shower enclosure will be smaller than measured width of the tiles. It is necessary to follow the size charts on "TECHNICAL SPECIFICATION" pages at the end of our catalogue (p. 261–283).

focused on  
easy maintenance



■ CI 2BT

## CI 2BT

double shower door for niche installation

- generous entrance with double-sided opening inside and outside
- available in Brillant and Black elox design
- standard height 2 000 mm and a large selection of offered variants



6 mm ESG Tempered glass  
**Transparent**



Profile colour  
**Brillant / Black elox**



### CI 2BT (double pivot door for a niche)

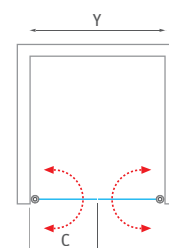
type	ordering No.	installation width (y)	height (h)	door width (c)	profile	glass	delivery method	Price
CI 2BT/800	CI 2BT 080200 VPE	760-810	2002*	305	brillant	transparent	0	475 €
CI 2BT/800	CI 2BT 080200 NPE	760-810	2002*	305	black elox	transparent	0	475 €
CI 2BT/900	CI 2BT 090200 VPE	860-910	2002*	355	brillant	transparent	0	483 €
CI 2BT/900	CI 2BT 090200 NPE	860-910	2002*	355	black elox	transparent	0	483 €
CI 2BT/1000	CI 2BT 100200 VPE	960-1010	2002*	405	brillant	transparent	0	491 €
CI 2BT/1000	CI 2BT 100200 NPE	960-1010	2002*	405	black elox	transparent	0	491 €
CI 2BT/1100	CI 2BT 110200 VPE	1060-1110	2002*	455	brillant	transparent	0	500 €
CI 2BT/1100	CI 2BT 110200 NPE	1060-1110	2002*	455	black elox	transparent	0	500 €
CI 2BT/1200	CI 2BT 120200 VPE	1160-1210	2002*	505	brillant	transparent	0	508 €
CI 2BT/1200	CI 2BT 120200 NPE	1160-1210	2002*	505	black elox	transparent	0	508 €

h\* - height including supporting elements

### CI 2BT (atypical customized solution)

type	width (y)	height (h)	profile	glass	delivery method
CI 2BT	up to 1800 mm	up to 2000 mm	brillant / black elox	transparent	Z
CI 2BT	up to 1800 mm	up to 2000 mm	brillant / black elox	rauch	Z
CI 2BT	up to 1800 mm	up to 2000 mm	brillant / black elox	satinato	Z
CI 2BT	up to 1800 mm	up to 2000 mm	brillant / black elox	misty	Z

■ CI 2BT



Nominal sizes of shower enclosures are designed for **INSTALLATION ON THE TRAY** and they are always assembled with indentation from the edge of the tray. With **INSTALLATION ON THE TILES** there is a risk, that the size of shower enclosure will be smaller than measured width of the tiles. It is necessary to follow the size charts on "TECHNICAL SPECIFICATION" pages at the end of our catalogue (p. 261-283).

# Cariba Line

solutions for every bathroom

innovated lifting mechanism for opening



## CI PIF

single opening shower door with fixed element for niche installation

- easy installation and reliable functionality
- RothETC glass surface treatment for easy maintenance
- convenient entry through double-sided opening in and out
- new variants in Black elox colour



6 mm ESG Tempered glass  
**Transparent**



Profile colour  
**Brillant / Black elox**



### CI PIF (single shower door for a niche)

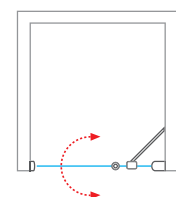
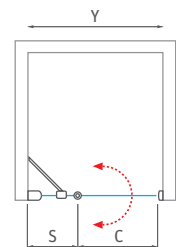
type	ordering No.	installation width (y)	height (h)	door width (c)	side part width (s)	profile	glass	delivery method	Price
CI PIF/800	CI PIF 080200 VPE	760-810	2023*	440	275-300	brillant	transparent	0	394 €
CI PIF/800	CI PIF 080200 NPE	760-810	2023*	440	275-300	black elox	transparent	0	394 €
CI PIF/900	CI PIF 090200 VPE	860-910	2023*	540	275-300	brillant	transparent	0	404 €
CI PIF/900	CI PIF 090200 NPE	860-910	2023*	540	275-300	black elox	transparent	0	404 €
CI PIF/1000	CI PIF 100200 VPE	960-1010	2023*	590	325-350	brillant	transparent	0	412 €
CI PIF/1000	CI PIF 100200 NPE	960-1010	2023*	590	325-350	black elox	transparent	0	412 €
CI PIF/1100	CI PIF 110200 VPE	1060-1110	2023*	690	325-350	brillant	transparent	0	420 €
CI PIF/1100	CI PIF 110200 NPE	1060-1110	2023*	690	325-350	black elox	transparent	0	420 €
CI PIF/1200	CI PIF 120200 VPE	1160-1210	2023*	690	425-450	brillant	transparent	0	428 €
CI PIF/1200	CI PIF 120200 NPE	1160-1210	2023*	690	425-450	black elox	transparent	0	428 €

h\* - height including supporting elements

### CI PIF (atypical customized solution)

type	width (y)	height (h)	profile	glass	delivery method
CI PIF	up to 1400 mm	up to 2000 mm	brillant / black elox	transparent	Z
CI PIF	up to 1400 mm	up to 2000 mm	brillant / black elox	rauch	Z
CI PIF	up to 1400 mm	up to 2000 mm	brillant / black elox	satinato	Z
CI PIF	up to 1400 mm	up to 2000 mm	brillant / black elox	misty	Z

- **CI PIF** - universal LEFT and RIGHT solution



Nominal sizes of shower enclosures are designed for **INSTALLATION ON THE TRAY** and they are always assembled with indentation from the edge of the tray. With **INSTALLATION ON THE TILES** there is a risk, that the size of shower enclosure will be smaller than measured width of the tiles. It is necessary to follow the size charts on "TECHNICAL SPECIFICATION" pages at the end of our catalogue (p. 261-283).



newly available  
in Black elox design



■ CI PIV

## CI PIV

single opening shower door  
for niche installation

- standard height 2 000 mm
- quality lifting mechanism for convenient opening inside and outside
- RothETC glass surface treatment for easy maintenance



6 mm ESG Tempered glass  
**Transparent**



Profile colour  
**Brillant / Black elox**

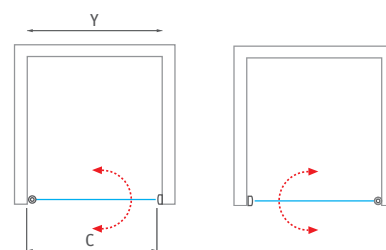
CI PIV (single shower door for a niche)								
type	ordering No.	installation width (y)	height (h)	door width (c)	profile	glass	delivery method	Price
CI PIV/800	CI PIV 080200 VPE	760-810	2002*	640	brillant	transparent	0	318 €
CI PIV/800	CI PIV 080200 NPE	760-810	2002*	640	black elox	transparent	0	318 €
CI PIV/900	CI PIV 090200 VPE	860-910	2002*	740	brillant	transparent	0	326 €
CI PIV/900	CI PIV 090200 NPE	860-910	2002*	740	black elox	transparent	0	326 €
CI PIV/1000	CI PIV 100200 VPE	960-1010	2002*	840	brillant	transparent	0	336 €
CI PIV/1000	CI PIV 100200 NPE	960-1010	2002*	840	black elox	transparent	0	336 €

h\* - height including supporting elements



CI PIV (atypical customized solution)					
type	width (y)	height (h)	profile	glass	delivery method
CI PIV	up to 1000 mm	up to 2000 mm	brillant / black elox	transparent	Z
CI PIV	up to 1000 mm	up to 2000 mm	brillant / black elox	rauch	Z
CI PIV	up to 1000 mm	up to 2000 mm	brillant / black elox	satinato	Z
CI PIV	up to 1000 mm	up to 2000 mm	brillant / black elox	misty	Z

■ CI PIV - universal LEFT and RIGHT solution



Nominal sizes of shower enclosures are designed for INSTALLATION ON THE TRAY and they are always assembled with indentation from the edge of the tray. With INSTALLATION ON THE TILES there is a risk, that the size of shower enclosure will be smaller than measured width of the tiles. It is necessary to follow the size charts on "TECHNICAL SPECIFICATION" pages at the end of our catalogue (p. 261-283).

# Cariba Line

solutions for every bathroom

innovated lifting  
mechanism for opening



■ CI PIL

## CI PIL / CI PIR

**solution for niche installation  
with folding door and pivot system**

- possibility to fold the door completely to the wall
- quality sealing components and easy maintenance
- convenient entry through double-sided opening in and out



6 mm ESG Tempered glass  
**Transparent**



Profile colour  
**Brillant**

CI PIL / CI PIR (folding shower door for a niche)									
type	ordering No.	installation width (y)	height (h)	width (c1)	width (c2)	profile	glass	delivery method	Price
CI PIL/800	CI PIL 080200 VPE	760-810	2002*	320	322	brillant	transparent	0	506 €
CI PIL/900	CI PIL 090200 VPE	860-910	2002*	370	372	brillant	transparent	0	514 €
CI PIL/1000	CI PIL 100200 VPE	960-1010	2002*	420	422	brillant	transparent	0	522 €
CI PIL/1200	CI PIL 120200 VPE	1160-1210	2002*	520	522	brillant	transparent	0	538 €
CI PIR/800	CI PIR 080200 VPE	760-810	2002*	320	322	brillant	transparent	0	506 €
CI PIR/900	CI PIR 090200 VPE	860-910	2002*	370	372	brillant	transparent	0	514 €
CI PIR/1000	CI PIR 100200 VPE	960-1010	2002*	420	422	brillant	transparent	0	522 €
CI PIR/1200	CI PIR 120200 VPE	1160-1210	2002*	520	522	brillant	transparent	0	538 €

h\* - height including supporting elements

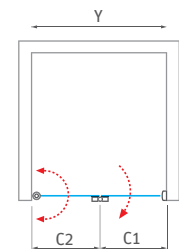
CI PIL / CI PIR (atypical customized solution)					
type	width (y)	height (h)	profile	glass	delivery method
CI PIL/CI PIR	up to 1200 mm	up to 2000 mm	brillant	transparent	Z
CI PIL/CI PIR	up to 1200 mm	up to 2000 mm	brillant	rauch	Z
CI PIL/CI PIR	up to 1200 mm	up to 2000 mm	brillant	satinato	Z
CI PIL/CI PIR	up to 1200 mm	up to 2000 mm	brillant	misty	Z



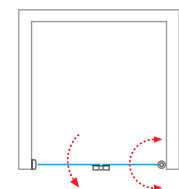
Nominal sizes of shower enclosures are designed for INSTALLATION ON THE TRAY and they are always assembled with indentation from the edge of the tray. With INSTALLATION ON THE TILES there is a risk, that the size of shower enclosure will be smaller than measured width of the tiles. It is necessary to follow the size charts on "TECHNICAL SPECIFICATION" pages at the end of our catalogue (p. 261–283).



### ■ CI PIL



### ■ CI PIR



focused on  
easy maintenance



## CI RFL / CI RFR

solution for niche installation with fixed element  
with folding door and pivot system

- standard height 2 000 mm
- popular folding doors extended by a fixed part for a generous niche door solution
- large selection of offered variants



6 mm ESG Tempered glass  
**Transparent**



Profile colour  
**Brillant**

### CI RFL / CI RFR (folding shower door for a niche)



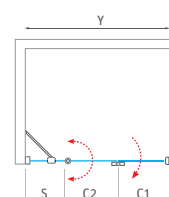
type	ordering No.	installation width (y)	height (h)	width (c1)	width (c2)	width (s)	profile	glass	delivery method	Price
CI RFL/1100	CI RFL 110200 VPE	1060-1110	2023*	370	372	275-300	brillant	transparent	0	618 €
CI RFL/1200	CI RFL 120200 VPE	1160-1210	2023*	420	422	275-300	brillant	transparent	0	628 €
CI RFL/1400	CI RFL 140200 VPE	1360-1410	2023*	420	422	475-500	brillant	transparent	0	646 €
CI RFL/1600	CI RFL 160200 VPE	1560-1610	2023*	520	522	475-500	brillant	transparent	0	662 €
CI RFR/1100	CI RFR 110200 VPE	1060-1110	2023*	370	372	275-300	brillant	transparent	0	618 €
CI RFR/1200	CI RFR 120200 VPE	1160-1210	2023*	420	422	275-300	brillant	transparent	0	628 €
CI RFR/1400	CI RFR 140200 VPE	1360-1410	2023*	420	422	475-500	brillant	transparent	0	646 €
CI RFR/1600	CI RFR 160200 VPE	1560-1610	2023*	520	522	475-500	brillant	transparent	0	662 €

h\* - height including supporting elements

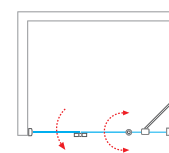
### CI RFL / CI RFR (atypical customized solution)

type	width (y)	height (h)	profile	glass	delivery method
CI RFL/CI RFR	up to 1600 mm	up to 2000 mm	brillant	transparent	Z
CI RFL/CI RFR	up to 1600 mm	up to 2000 mm	brillant	rauch	Z
CI RFL/CI RFR	up to 1600 mm	up to 2000 mm	brillant	satinato	Z
CI RFL/CI RFR	up to 1600 mm	up to 2000 mm	brillant	misty	Z

■ CI RFL



■ CI RFR



Nominal sizes of shower enclosures are designed for INSTALLATION ON THE TRAY and they are always assembled with indentation from the edge of the tray. With INSTALLATION ON THE TILES there is a risk, that the size of shower enclosure will be smaller than measured width of the tiles. It is necessary to follow the size charts on "TECHNICAL SPECIFICATION" pages at the end of our catalogue (p. 261–283).

# Cariba Line

solutions for every bathroom

tuned design  
of metal elements



## CI FXP

side wall with corner profile

- newly available variants in Black elox colour
- side wall for combination with a niche door
- or create a "U" cabin solution



6 mm ESG Tempered glass  
**Transparent**



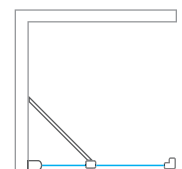
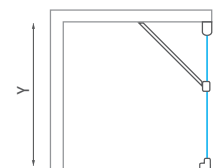
Profile colour  
**Brillant / Black elox**

### CI FXP (side wall with corner profile)

type	ordering No.	installation width (y)	height (h)	door width (c)	profile	glass	delivery method	Price
CI FXP/700	CI FXP 070200 VPE	652-702	2023*	—	brillant	transparent	0	254 €
CI FXP/700	CI FXP 070200 NPE	652-702	2023*	—	black elox	transparent	0	254 €
CI FXP/750	CI FXP 075200 VPE	702-752	2023*	—	brillant	transparent	0	260 €
CI FXP/750	CI FXP 075200 NPE	702-752	2023*	—	black elox	transparent	0	260 €
CI FXP/800	CI FXP 080200 VPE	752-802	2023*	—	brillant	transparent	0	264 €
CI FXP/800	CI FXP 080200 NPE	752-802	2023*	—	black elox	transparent	0	264 €
CI FXP/900	CI FXP 090200 VPE	852-902	2023*	—	brillant	transparent	0	272 €
CI FXP/900	CI FXP 090200 NPE	852-902	2023*	—	black elox	transparent	0	272 €
CI FXP/1000	CI FXP 100200 VPE	952-1002	2023*	—	brillant	transparent	0	286 €
CI FXP/1000	CI FXP 100200 NPE	952-1002	2023*	—	black elox	transparent	0	286 €

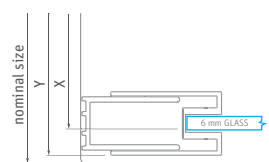
h\* - height including supporting elements

■ **CI FXP** - universal LEFT and RIGHT solution



### CI FXP (atypical customized solution)

type	width (y)	height (h)	profile	glass	delivery method
CI FXP	up to 1200 mm	up to 2000 mm	brillant / black elox	transparent	Z
CI FXP	up to 1200 mm	up to 2000 mm	brillant / black elox	rauch	Z
CI FXP	up to 1200 mm	up to 2000 mm	brillant / black elox	satinato	Z
CI FXP	up to 1200 mm	up to 2000 mm	brillant / black elox	misty	Z

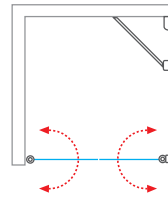


Nominal sizes of shower enclosures are designed for **INSTALLATION ON THE TRAY** and they are always assembled with indentation from the edge of the tray. With **INSTALLATION ON THE TILES** there is a risk, that the size of shower enclosure will be smaller than measured width of the tiles. It is necessary to follow the size charts on "TECHNICAL SPECIFICATION" pages at the end of our catalogue (p. 261–283).

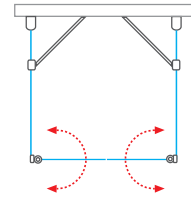
## combination of door with CI FXP side wall



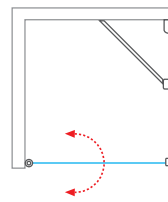
■ CI FXP + CI 2BT



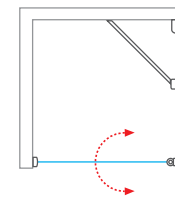
■ CI FXP + CI 2BT + CI FXP



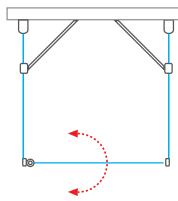
■ CI FXP + CI PIV



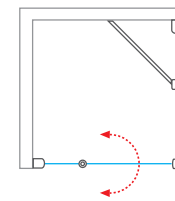
■ CI FXP + CI PIV



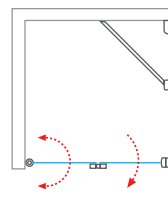
■ CI FXP + CI PIV + CI FXP



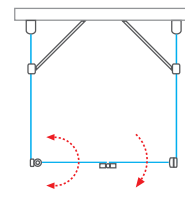
■ CI FXP + CI PIF



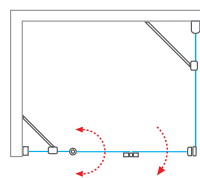
■ CI FXP + CI PIL(R)



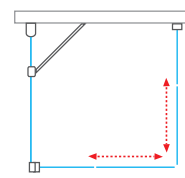
■ CI FXP + CI PIL(R) + CI FXP



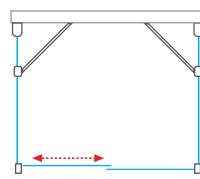
■ CI FXP + CI RFL(R)



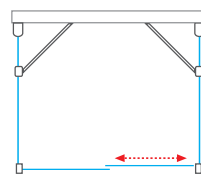
■ CI FXP + CI C2L + CI C2R



■ CI FXP + CI D2R + CI FXP



■ CI FXP + CI D2L + CI FXP



# Cariba Line

solutions for every bathroom

tuned design  
of metal elements



■ CI PIG + CI FXO

## CI FXO

additional side wall for installation  
of CI PIG or CI EPF doors to a niche

- variable solution for easy creation of niche shower door
- create a width of shower door from 960 mm up to 1 810 mm
- universal LEFT and RIGHT solution, also available in the popular Black elox



6 mm ESG Tempered glass  
**Transparent**



Profile colour  
**Brillant / Black elox**

### FXO (additional side panel to CI PIG or CI EPF)

type	ordering No.	installation width (y)	height (h)	profile	glass	delivery method	Price
CI FXO/230	CI FXO 023200 VPE	209 - 234	2023*	brillant	transparent	0	154 €
CI FXO/230	CI FXO 023200 NPE	209 - 234	2023*	black elox	transparent	0	154 €
CI FXO/330	CI FXO 033200 VPE	309 - 334	2023*	brillant	transparent	0	162 €
CI FXO/330	CI FXO 033200 NPE	309 - 334	2023*	black elox	transparent	0	162 €
CI FXO/430	CI FXO 043200 VPE	409 - 434	2023*	brillant	transparent	0	172 €
CI FXO/430	CI FXO 043200 NPE	409 - 434	2023*	black elox	transparent	0	172 €
CI FXO/530	CI FXO 053200 VPE	509 - 534	2023*	brillant	transparent	0	180 €
CI FXO/530	CI FXO 053200 NPE	509 - 534	2023*	black elox	transparent	0	180 €
CI FXO/630	CI FXO 063200 VPE	609 - 634	2023*	brillant	transparent	0	192 €
CI FXO/630	CI FXO 063200 NPE	609 - 634	2023*	black elox	transparent	0	192 €

h\* - height including supporting elements

### FXO (atypical customized solution)

type	width (y)	height (h)	profile	glass	delivery method
CI FXO	up to 1000 mm	up to 2000 mm	brillant / black elox	transparent	Z
CI FXO	up to 1000 mm	up to 2000 mm	brillant / black elox	rauch	Z
CI FXO	up to 1000 mm	up to 2000 mm	brillant / black elox	satinato	Z
CI FXO	up to 1000 mm	up to 2000 mm	brillant / black elox	misty	Z



- Universal bottom door seal for installation with or without a threshold strip



Nominal sizes of shower enclosures are designed for INSTALLATION ON THE TRAY and they are always assembled with indentation from the edge of the tray. With INSTALLATION ON THE TILES there is a risk, that the size of shower enclosure will be smaller than measured width of the tiles. It is necessary to follow the size charts on "TECHNICAL SPECIFICATION" pages at the end of our catalogue (p. 261–283).



Choose the dimension you need!  
By using this universal in-line side wall you can create truly perfect door for niche from the standard doors **CI PIG** or **CI EPF**...

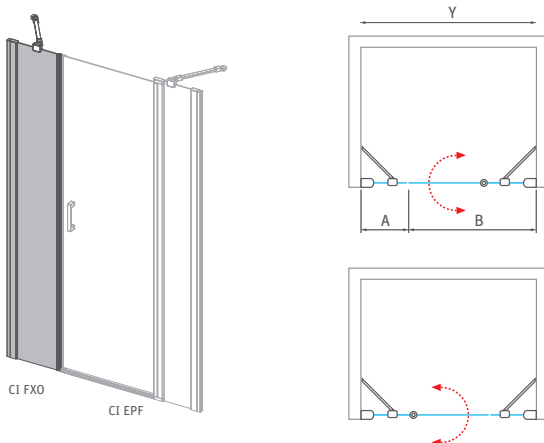
- Flexible support bar allows you to set different angles and also solves any wall irregularities - Black elox.



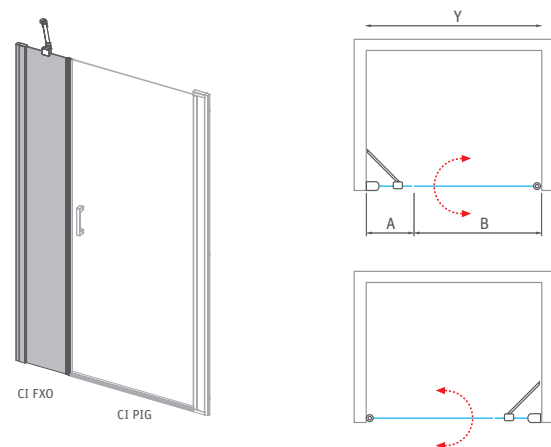
Y (min-max)	CI EPF/800 CI EPF/900 CI EPF/1000 CI EPF/1100 CI EPF/1200					
	B	B	B	B	B	
	752-777	852-877	952-977	1052-1077	1152-1177	
CI FXO/230 A	209-234	960-1010	1060-1110	1160-1210	1260-1310	1360-1410
CI FXO/330 A	309-334	1060-1110	1160-1210	1260-1310	1360-1410	1460-1510
CI FXO/430 A	409-434	1160-1210	1260-1310	1360-1410	1460-1510	1560-1610
CI FXO/530 A	509-534	1260-1310	1360-1410	1460-1510	1560-1610	1660-1710
CI FXO/630 A	609-634	1360-1410	1460-1510	1560-1610	1660-1710	1760-1810

Y (min-max)	CI PIG/800 CI PIG/900 CI PIG/1000			
	B	B	B	
	752-777	852-877	952-977	
CI FXO/230 A	209-234	960-1010	1060-1110	1160-1210
CI FXO/330 A	309-334	1060-1110	1160-1210	1260-1310
CI FXO/430 A	409-434	1160-1210	1260-1310	1360-1410
CI FXO/530 A	509-534	1260-1310	1360-1410	1460-1510
CI FXO/630 A	609-634	1360-1410	1460-1510	1560-1610

■ CI FXO - universal LEFT and RIGHT solution



■ CI FXO - universal LEFT and RIGHT solution



# Cariba Line

solutions for every bathroom

innovative sliding  
door system

## CI D2L / CI D2R

sliding shower door for niche installation  
or for combination with side panel CI FXP

6 mm ESG Tempered glass  
Transparent



Profile colour  
Brilliant / Black elox



■ CI D2L



## newly available in Black elox design

- modern solution with barrier-free entrance
- tilting system of the bottom part allows easy maintenance
- quiet door movement thanks to modernized rollers



■ Innovated rollers for quiet and smooth door operation

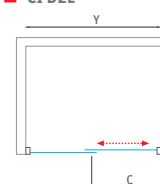


■ CI D2L + CI FXP - sliding shower door with the side wall CI FXP in Black elox design

### CI D2L/ CI D2R (sliding shower door)

type	ordering No.	installation width (y)	height (h)	entrance width (c)	side part width (s)	profile	glass	delivery method	Price
CI D2L/1200	CI D2L 120200 VPE	1160-1210	2002	485	530-555	brillant	transparent	0	404 €
CI D2L/1200	CI D2L 120200 NPE	1160-1210	2002	485	530-555	black elox	transparent	0	404 €
CI D2L/1300	CI D2L 130200 VPE	1260-1310	2002	535	580-605	brillant	transparent	0	416 €
CI D2L/1300	CI D2L 130200 NPE	1260-1310	2002	535	580-605	black elox	transparent	0	416 €
CI D2L/1400	CI D2L 140200 VPE	1360-1410	2002	585	630-655	brillant	transparent	0	424 €
CI D2L/1400	CI D2L 140200 NPE	1360-1410	2002	585	630-655	black elox	transparent	0	424 €
CI D2L/1500	CI D2L 150200 VPE	1460-1510	2002	635	680-705	brillant	transparent	0	432 €
CI D2L/1500	CI D2L 150200 NPE	1460-1510	2002	635	680-705	black elox	transparent	0	432 €
CI D2L/1600	CI D2L 160200 VPE	1560-1610	2002	685	730-755	brillant	transparent	0	450 €
CI D2L/1600	CI D2L 160200 NPE	1560-1610	2002	685	730-755	black elox	transparent	0	450 €
CI D2R/1200	CI D2R 120200 VPE	1160-1210	2002	485	530-555	brillant	transparent	0	404 €
CI D2R/1200	CI D2R 120200 NPE	1160-1210	2002	485	530-555	black elox	transparent	0	404 €
CI D2R/1300	CI D2R 130200 VPE	1260-1310	2002	535	580-605	brillant	transparent	0	416 €
CI D2R/1300	CI D2R 130200 NPE	1260-1310	2002	535	580-605	black elox	transparent	0	416 €
CI D2R/1400	CI D2R 140200 VPE	1360-1410	2002	585	630-655	brillant	transparent	0	424 €
CI D2R/1400	CI D2R 140200 NPE	1360-1410	2002	585	630-655	black elox	transparent	0	424 €
CI D2R/1500	CI D2R 150200 VPE	1460-1510	2002	635	680-705	brillant	transparent	0	432 €
CI D2R/1500	CI D2R 150200 NPE	1460-1510	2002	635	680-705	black elox	transparent	0	432 €
CI D2R/1600	CI D2R 160200 VPE	1560-1610	2002	685	730-755	brillant	transparent	0	450 €
CI D2R/1600	CI D2R 160200 NPE	1560-1610	2002	685	730-755	black elox	transparent	0	450 €

#### ■ CI D2L



#### ■ CI D2R



#### ■ CI D2L + CI FXP



#### ■ CI D2R + CI FXP



### CI D2L/ CI D2R (atypical customized solution)

type	width (y)	height (h)	profile	glass	delivery method
CI D2L/CI D2R	up to 1600 mm	up to 2000 mm	brillant / black elox	transparent	Z
CI D2L/CI D2R	up to 1600 mm	up to 2000 mm	brillant / black elox	rauch	Z
CI D2L/CI D2R	up to 1600 mm	up to 2000 mm	brillant / black elox	satinato	Z
CI D2L/CI D2R	up to 1600 mm	up to 2000 mm	brillant / black elox	misty	Z



Nominal sizes of shower enclosures are designed for INSTALLATION ON THE TRAY and they are always assembled with indentation from the edge of the tray. With INSTALLATION ON THE TILES there is a risk, that the size of shower enclosure will be smaller than measured width of the tiles. It is necessary to follow the size charts on "TECHNICAL SPECIFICATION" pages at the end of our catalogue (p. 261-283).

# Cariba Line

solutions for every bathroom

innovative sliding  
door system

## CI C2L + CI C2R

square or rectangular shower enclosure  
with two sliding doors

6 mm ESG Tempered glass  
Transparent



Profile colour  
Brilliant / Black elox



■ CI C2L + CI C2R

## focused on easy maintenance

- tilting system of the bottom part allows easy maintenance
- modern solution with barrier-free entrance
- new variants in Black elox colour
- square or rectangular solution with a suitable combination of left and right part



■ The solid bottom slider for easy tilting of the door allows easy maintenance even in inaccessible places

■ The upper rollers ensure smooth operation of the door

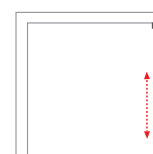
### CI C2L / CI C2R (sliding shower door - left / right part)

type	ordering No.	installation width (y)	height (h)	entrance width (c)	side part width (s)	profile	glass	delivery method	Price
<b>CI C2L - left part</b>									
CI C2L/800	CI C2L 080200 VPE	775-800	2002*	428	340-365	brillant	transparent	0	320 €
CI C2L/800	CI C2L 080200 NPE	775-800	2002*	428	340-365	black elox	transparent	0	320 €
CI C2L/900	CI C2L 090200 VPE	875-900	2002*	498	390-415	brillant	transparent	0	326 €
CI C2L/900	CI C2L 090200 NPE	875-900	2002*	498	390-415	black elox	transparent	0	326 €
CI C2L/1000	CI C2L 100200 VPE	975-1000	2002*	569	440-465	brillant	transparent	0	338 €
CI C2L/1000	CI C2L 100200 NPE	975-1000	2002*	569	440-465	black elox	transparent	0	338 €
CI C2L/1100	CI C2L 110200 VPE	1075-1100	2002*	640	490-515	brillant	transparent	0	348 €
CI C2L/1100	CI C2L 110200 NPE	1075-1100	2002*	640	490-515	black elox	transparent	0	348 €
CI C2L/1200	CI C2L 120200 VPE	1175-1200	2002*	710	540-565	brillant	transparent	0	372 €
CI C2L/1200	CI C2L 120200 NPE	1175-1200	2002*	710	540-565	black elox	transparent	0	372 €
<b>CI C2R - right part</b>									
CI C2R/800	CI C2R 080200 VPE	775-800	2002*	428	340-365	brillant	transparent	0	320 €
CI C2R/800	CI C2R 080200 NPE	775-800	2002*	428	340-365	black elox	transparent	0	320 €
CI C2R/900	CI C2R 090200 VPE	875-900	2002*	498	390-415	brillant	transparent	0	326 €
CI C2R/900	CI C2R 090200 NPE	875-900	2002*	498	390-415	black elox	transparent	0	326 €
CI C2R/1000	CI C2R 100200 VPE	975-1000	2002*	569	440-465	brillant	transparent	0	338 €
CI C2R/1000	CI C2R 100200 NPE	975-1000	2002*	569	440-465	black elox	transparent	0	338 €
CI C2R/1100	CI C2R 110200 VPE	1075-1100	2002*	640	490-515	brillant	transparent	0	348 €
CI C2R/1100	CI C2R 110200 NPE	1075-1100	2002*	640	490-515	black elox	transparent	0	348 €
CI C2R/1200	CI C2R 120200 VPE	1175-1200	2002*	710	540-565	brillant	transparent	0	372 €
CI C2R/1200	CI C2R 120200 NPE	1175-1200	2002*	710	540-565	black elox	transparent	0	372 €

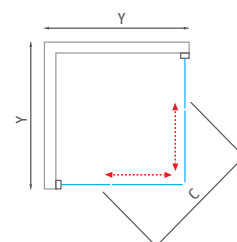
#### ■ CI C2L



#### ■ CI C2R



#### ■ CI C2L + CI C2R



### CI C2L / CI C2R (atypical customized solution)

type	width (y)	height (h)	profile	glass	delivery method
CI C2L/CI C2R	up to 1200 mm	up to 2000 mm	brillant / black elox	transparent	Z
CI C2L/CI C2R	up to 1200 mm	up to 2000 mm	brillant / black elox	rauch	Z
CI C2L/CI C2R	up to 1200 mm	up to 2000 mm	brillant / black elox	satinato	Z
CI C2L/CI C2R	up to 1200 mm	up to 2000 mm	brillant / black elox	misty	Z



Nominal sizes of shower enclosures are designed for INSTALLATION ON THE TRAY and they are always assembled with indentation from the edge of the tray. With INSTALLATION ON THE TILES there is a risk, that the size of shower enclosure will be smaller than measured width of the tiles. It is necessary to follow the size charts on "TECHNICAL SPECIFICATION" pages at the end of our catalogue (p. 261–283).

**Tower Line**  
you can rely on

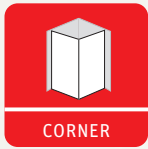
# Tower Line

Right in this series you will find a solution for every situation in the place of your daily relaxation

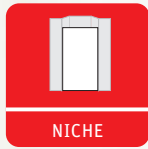
Opening through a special lifting mechanism both ways - inside and outside - in combination with high quality profiles in 2 variations of surface finishing, will find supporters everywhere, where it is necessary to solve the space variably and to use every free space.



QUADRANT



CORNER



NICHE



WALK-IN



- easy entrance through a completely openable door, both inside and outside
- universal left and right solution
- superior lifting mechanism is a basic condition for easy door opening, sufficient tightness and long lasting durability of the enclosure

# Tower Line

you can rely on

proven lifting system  
of the door opening

## TR1

quadrant shower enclosure  
with a double-door opening

- easy entry through fully openable door, with opening in and out
- standard height 2000 mm
- high quality sealing elements and easy maintenance



6 mm ESG Tempered glass  
Transparent 02



Profile colour  
Brilliant 00 / Silver (Elox) 01



■ The magnetic seal for secure closing



■ Threshold strip and bottom door seal

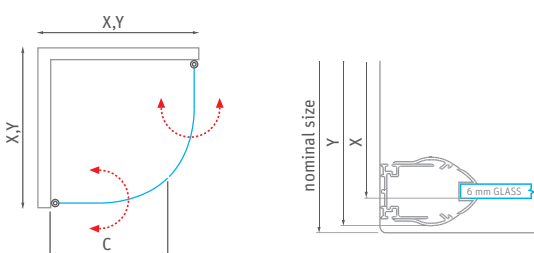


■ Ergonomic handle made of solid aluminum

### TR1 (quadrant shower enclosure with a double-door opening)

type	ordering No.	installation width (y)	height (h)	door width (c)	side part width (s)	profile	glass	delivery method	Price
TR1/900	722-9000000-00-02	870-890	2012*	660	—	brillant	transparent	S	586 €
TR1/900	722-9000000-01-02	870-890	2012*	660	—	silver	transparent	S	574 €
TR1/1000	722-1000000-00-02	970-990	2012*	760	—	brillant	transparent	0	639 €
TR1/1000	722-1000000-01-02	970-990	2012*	760	—	silver	transparent	0	624 €

R - standard radius R550, h\* - height including supporting elements



Nominal sizes of shower enclosures are designed for INSTALLATION ON THE TRAY and they are always assembled with indentation from the edge of the tray. With INSTALLATION ON THE TILES there is a risk, that the size of shower enclosure will be smaller than measured width of the tiles. It is necessary to follow the size charts on "TECHNICAL SPECIFICATION" pages at the end of our catalogue (p. 261-283).



Opening through a special lifting mechanism both ways - inside and outside - in combination with high quality profiles in 2 types of surface finishing - this is the **Tower Line** series.



■ TR1

**Tower Line**  
you can rely on

proven lifting system  
of the door opening

## TR2 a TR2 Light

quadrant shower enclosure  
with a double-door opening with fixed elements

6 mm ESG Tempered glass  
Transparent 02



Profile colour  
Brillant 00 / Silver (Elox) 01





## easy maintenance thanks to the minimum of profiles

- easy entry through fully openable door, with opening in and out
- standard height 2000 mm
- high quality sealing elements and easy maintenance



■ Support bar of fixed part and lifting profile



■ The light version uses a different set of profiles and door handles - **TR2 Light**

TR2 (quadrant shower enclosure with a double-door opening)									
type	ordering No.	installation width (y)	height (h)	door width (c)	side part width (s)	profile	glass	delivery method	Price
TR2/800	723-8000000-00-02	770-790	2019*	420	195-220	brillant	transparent	0	711 €
TR2/800	723-8000000-01-02	770-790	2019*	420	195-220	silver	transparent	0	700 €
TR2/900	723-9000000-00-02	870-890	2019*	420	295-320	brillant	transparent	S	718 €
TR2/900	723-9000000-01-02	870-890	2019*	420	295-320	silver	transparent	S	711 €
TR2/1000	723-1000000-00-02	970-990	2019*	420	395-420	brillant	transparent	0	724 €
TR2/1000	723-1000000-01-02	970-990	2019*	420	395-420	silver	transparent	0	718 €

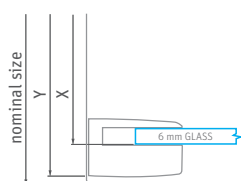


R - standard radius R550, h\* - height including supporting elements

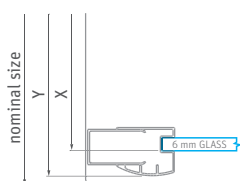
TR2 Light (quadrant shower enclosure with a double-door opening)									
type	ordering No.	installation width (y)	height (h)	door width (c)	side part width (s)	profile	glass	delivery method	Price
TR2 LIGHT 900	738-9000000-00-02	870-890	2017*	420	300-320	brillant	transparent	S	655 €

R - standard radius R550, h\* - height including supporting elements

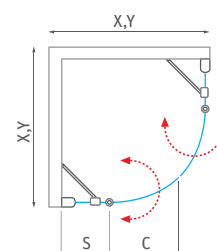
■ TR2



■ TR2 Light



■ TR2 i TR2 Light



Nominal sizes of shower enclosures are designed for INSTALLATION ON THE TRAY and they are always assembled with indentation from the edge of the tray. With INSTALLATION ON THE TILES there is a risk, that the size of shower enclosure will be smaller than measured width of the tiles. It is necessary to follow the size charts on "TECHNICAL SPECIFICATION" pages at the end of our catalogue (p. 261-283).

# Tower Line

you can rely on

proven lifting system  
of the door opening

## TDO1 + TDO1

square or rectangular shower enclosure  
with a double-door opening with fixed part

6 mm ESG Tempered glass  
Transparent O2



Profile colour  
Brilliant OO / Silver (Elox) O1



■ Adjustable brace for safe door stability



■ Aluminum handle in a modern design

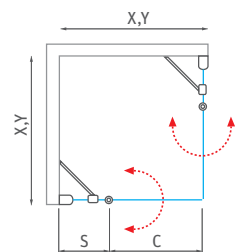


■ Lifting profile with threshold strip and bottom seal

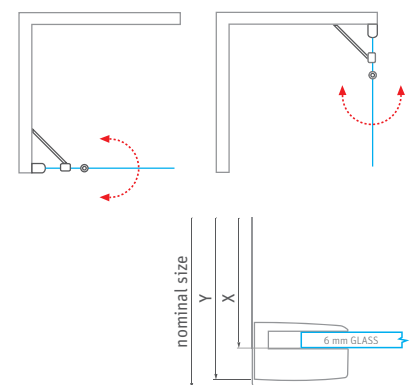
TDO1 (hinged shower door)										
type	ordering No.	installation width (y)	height (h)	door width (c)	side part width (s)	profile	glass	delivery method	Price	
TDO1/800	724-8000000-00-02	775-790	2019*	450	295-320	brilliant	transparent	S	360 €	
TDO1/800	724-8000000-01-02	775-790	2019*	450	295-320	silver	transparent	O	344 €	
TDO1/900	724-9000000-00-02	875-890	2019*	550	295-320	brilliant	transparent	S	376 €	
TDO1/900	724-9000000-01-02	875-890	2019*	550	295-320	silver	transparent	S	355 €	
TDO1/1000	724-1000000-00-02	975-990	2019*	650	295-320	brilliant	transparent	S	391 €	
TDO1/1000	724-1000000-01-02	975-990	2019*	650	295-320	silver	transparent	S	367 €	
TDO1/1100	724-1100000-00-02	1075-1090	2019*	650	395-420	brilliant	transparent	O	407 €	
TDO1/1100	724-1100000-01-02	1075-1090	2019*	650	395-420	silver	transparent	O	378 €	
TDO1/1200	724-1200000-00-02	1175-1190	2019*	750	395-420	brilliant	transparent	S	422 €	
TDO1/1200	724-1200000-01-02	1175-1190	2019*	750	395-420	silver	transparent	O	389 €	

h\* - height including supporting elements

### ■ TDO1 + TDO1



### ■ TDO1 - universal LEFT and RIGHT solution!



TDO1 (atypical customized solution)					
type	width (y)	height (h)	profile	glass	delivery method
TDO1	up to 1200 mm	up to 2000 mm	silver / brilliant	transparent	Z
TDO1	up to 1200 mm	up to 2000 mm	silver / brilliant	intimglass*	Z
TDO1	up to 1200 mm	up to 2000 mm	silver / brilliant	chinchilla*	Z
TDO1	up to 1200 mm	up to 2000 mm	silver / brilliant	rauch	Z
TDO1	up to 1200 mm	up to 2000 mm	silver / brilliant	satinato*	Z

\* in the INTIMGLASS, CHINCHILLA, and SATINATO versions it is necessary to distinguish between LEFT and RIGHT solutions



Nominal sizes of shower enclosures are designed for INSTALLATION ON THE TRAY and they are always assembled with indentation from the edge of the tray. With INSTALLATION ON THE TILES there is a risk, that the size of shower enclosure will be smaller than measured width of the tiles. It is necessary to follow the size charts on "TECHNICAL SPECIFICATION" pages at the end of our catalogue (p. 261-283).

## easy maintenance thanks to the minimum of profiles

---

- quality lifting mechanism for convenient opening inside and outside
- standard height 2000 mm
- perfect tightness and long service life



■ TD01 + TD01

# Tower Line

you can rely on

proven lifting system  
of the door opening



## TB

side wall for combination with single opening door TDO1 or TC01

- square or rectangular solution
- huge amount of combinations by size, profile, glass and door types
- quality support bar and sealing components for long service life



6 mm ESG Tempered glass  
**Transparent 02 / Intimglass 20**



Profile colour  
**Brillant 00 / Silver (Elox) 01**

### TB (side panel to TDO1 or TC01)

type	ordering No.	installation width (y)	height (h)	door width (c)	profile	glass	delivery method	Price
TB/700	725-7000000-00-02	675-690	2008*	—	brillant	transparent	0	289 €
TB/700	725-7000000-01-02	675-690	2008*	—	silver	transparent	0	279 €
TB/750	725-7500000-00-02	725-740	2008*	—	brillant	transparent	0	296 €
TB/750	725-7500000-01-02	725-740	2008*	—	silver	transparent	0	285 €
TB/800	725-8000000-00-02	775-790	2008*	—	brillant	transparent	S	302 €
TB/800	725-8000000-01-02	775-790	2008*	—	silver	transparent	S	291 €
TB/900	725-9000000-00-02	875-890	2008*	—	brillant	transparent	S	317 €
TB/900	725-9000000-01-02	875-890	2008*	—	silver	transparent	S	306 €
TB/1000	725-1000000-00-02	975-990	2008*	—	brillant	transparent	S	334 €
TB/1000	725-1000000-01-02	975-990	2008*	—	silver	transparent	S	323 €

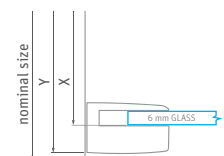
h\* - height including supporting elements



### TB (atypical customized solution)

type	width (y)	height (h)	profile	glass	delivery method
TB	up to 1200 mm	up to 2000 mm	silver / brillant	transparent	Z
TB	up to 1200 mm	up to 2000 mm	silver / brillant	intimglass*	Z
TB	up to 1200 mm	up to 2000 mm	silver / brillant	chinchilla*	Z
TB	up to 1200 mm	up to 2000 mm	silver / brillant	rauch	Z
TB	up to 1200 mm	up to 2000 mm	silver / brillant	satinato*	Z

\* in the INTIMGLASS, CHINCHILLA, and SATINATO versions it is necessary to distinguish between LEFT and RIGHT solutions



Nominal sizes of shower enclosures are designed for **INSTALLATION ON THE TRAY** and they are always assembled with indentation from the edge of the tray. With **INSTALLATION ON THE TILES** there is a risk, that the size of shower enclosure will be smaller than measured width of the tiles. It is necessary to follow the size charts on "TECHNICAL SPECIFICATION" pages at the end of our catalogue (p. 261-283).

easy maintenance thanks  
to the minimum of profiles



## TBL / TBP

side wall for combination with single opening  
door TDO1 or TCO1 in INTIMGLASS version

- in the INTIMGLASS version it is necessary to distinguish between LEFT and RIGHT solution

- Corner profile with magnetic closing seal

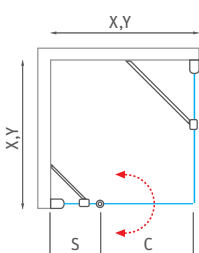


### TBL / TBP (side panel to TDO1 or TCO1 in Intimglass version)

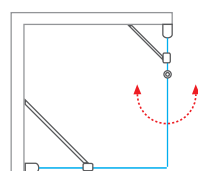
type	ordering No.	installation width (y)	height (h)	door width (c)	profile	glass	delivery method	Price
TBL/800	725-800000L-00-20	775-790	2008*	—	brillant	intimglass	0	407 €
TBL/800	725-800000L-01-20	775-790	2008*	—	silver	intimglass	0	397 €
TBL/900	725-900000L-00-20	875-890	2008*	—	brillant	intimglass	0	422 €
TBL/900	725-900000L-01-20	875-890	2008*	—	silver	intimglass	0	412 €
TBL/1000	725-100000L-00-20	975-990	2008*	—	brillant	intimglass	0	439 €
TBL/1000	725-100000L-01-20	975-990	2008*	—	silver	intimglass	0	429 €
TBP/800	725-800000P-00-20	775-790	2008*	—	brillant	intimglass	0	407 €
TBP/800	725-800000P-01-20	775-790	2008*	—	silver	intimglass	0	397 €
TBP/900	725-900000P-00-20	875-890	2008*	—	brillant	intimglass	0	422 €
TBP/900	725-900000P-01-20	875-890	2008*	—	silver	intimglass	0	412 €
TBP/1000	725-100000P-00-20	975-990	2008*	—	brillant	intimglass	0	439 €
TBP/1000	725-100000P-01-20	975-990	2008*	—	silver	intimglass	0	429 €

h\* - height including supporting elements / \* in the INTIMGLASS version it is necessary to distinguish between LEFT and RIGHT solution

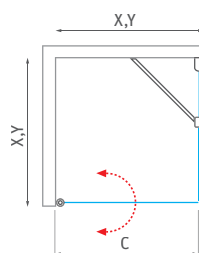
#### ■ TDO1 + TB



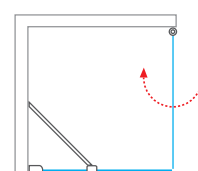
#### ■ TB + TDO1



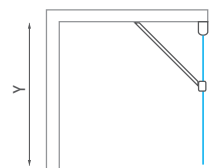
#### ■ TCO1 + TB



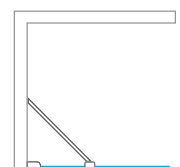
#### ■ TB + TCO1



#### ■ TBP



#### ■ TBL



# Tower Line

you can rely on

proven lifting system  
of the door opening



## TCO1 + TCO1

square or rectangular shower enclosure  
with a double-door opening

- choose from a large number of door variants or combine a door with a TB wall
- standard height 2 000 mm
- quality lifting mechanism for convenient opening inside and outside



6 mm ESG Tempered glass  
**Transparent 02 / Intimglass 20**



Profile colour  
**Brillant 00 / Silver (Elox) 01**

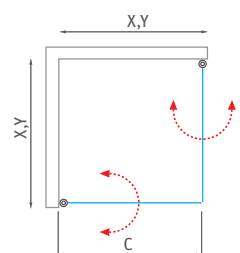
### TCO1 (hinged shower door)

type	ordering No.	installation width (y)	height (h)	door width (c)	profile	glass	delivery method	Price
TCO1/800	727-8000000-00-02	775-795	2012*	710	brillant	transparent	S	284 €
TCO1/800	727-8000000-00-20	775-795	2012*	710	brillant	intimglass	0	429 €
TCO1/800	727-8000000-01-02	775-795	2012*	710	silver	transparent	0	266 €
TCO1/800	727-8000000-01-20	775-795	2012*	710	silver	intimglass	0	411 €
TCO1/900	727-9000000-00-02	875-895	2012*	810	brillant	transparent	S	300 €
TCO1/900	727-9000000-00-20	875-895	2012*	810	brillant	intimglass	0	445 €
TCO1/900	727-9000000-01-02	875-895	2012*	810	silver	transparent	S	282 €
TCO1/900	727-9000000-01-20	875-895	2012*	810	silver	intimglass	0	427 €
TCO1/1000	727-1000000-00-02	975-995	2012*	910	brillant	transparent	S	315 €
TCO1/1000	727-1000000-00-20	975-995	2012*	910	brillant	intimglass	0	460 €
TCO1/1000	727-1000000-01-02	975-995	2012*	910	silver	transparent	S	297 €
TCO1/1000	727-1000000-01-20	975-995	2012*	910	silver	intimglass	0	443 €
TCO1/1100	727-1100000-00-02	1075-1095	2012*	1010	brillant	transparent	0	331 €
TCO1/1100	727-1100000-00-20	1075-1095	2012*	1010	brillant	intimglass	0	476 €
TCO1/1100	727-1100000-01-02	1075-1095	2012*	1010	silver	transparent	0	313 €
TCO1/1100	727-1100000-01-20	1075-1095	2012*	1010	silver	intimglass	0	458 €
TCO1/1200	727-1200000-00-02	1175-1195	2012*	1110	brillant	transparent	0	346 €
TCO1/1200	727-1200000-00-20	1175-1195	2012*	1110	brillant	intimglass	0	492 €
TCO1/1200	727-1200000-01-02	1175-1195	2012*	1110	silver	transparent	0	329 €
TCO1/1200	727-1200000-01-20	1175-1195	2012*	1110	silver	intimglass	0	474 €

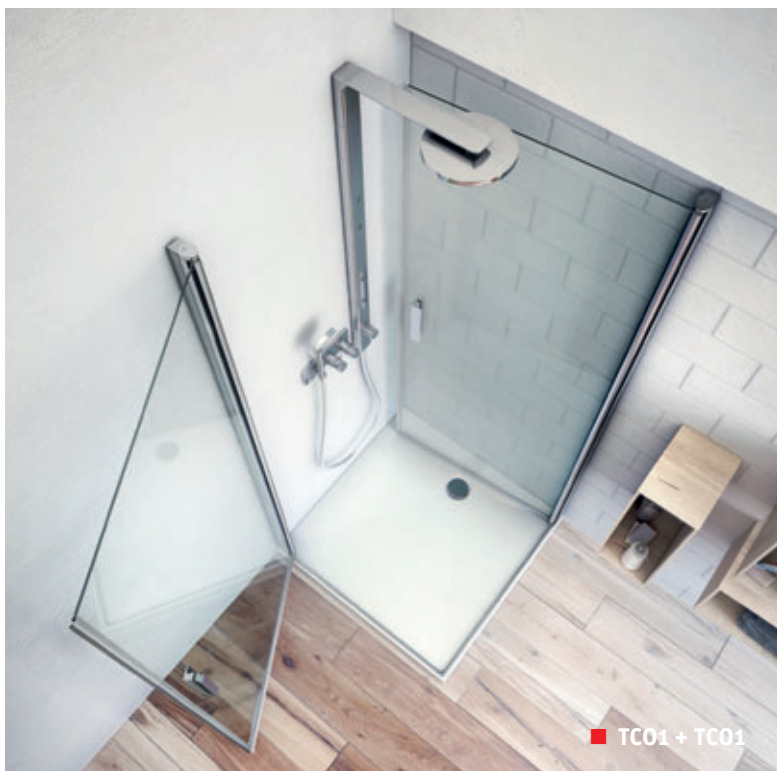
h\* - height including supporting elements



### ■ TCO1 + TCO1



easy maintenance thanks  
to the minimum of profiles



■ Lifting profile with high quality lifting mechanism



■ Handle made with precision and attention to detail

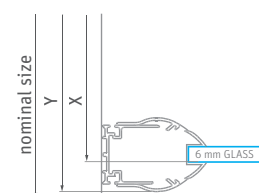
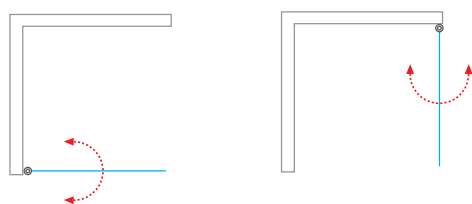
**TC01 (atypical customized solution)**

type	width (y)	height (h)	profile	glass	delivery method
TC01	up to 1200 mm	up to 2000 mm	silver / brillant	transparent	Z
TC01	up to 1200 mm	up to 2000 mm	silver / brillant	intimglass	Z
TC01	up to 1200 mm	up to 2000 mm	silver / brillant	chinchilla	Z
TC01	up to 1200 mm	up to 2000 mm	silver / brillant	rauch	Z
TC01	up to 1200 mm	up to 2000 mm	silver / brillant	satinato	Z



■ Lifting profile with threshold strip and bottom seal

■ **TC01** - universal LEFT and RIGHT solution



Nominal sizes of shower enclosures are designed for **INSTALLATION ON THE TRAY** and they are always assembled with indentation from the edge of the tray. With **INSTALLATION ON THE TILES** there is a risk, that the size of shower enclosure will be smaller than measured width of the tiles. It is necessary to follow the size charts on "TECHNICAL SPECIFICATION" pages at the end of our catalogue (p. 261–283).

## Tower Line

you can rely on

easy maintenance thanks  
to the minimum of profiles



■ TBD + TDO1

## TBD

universal in-line side wall for TDO1 or TCO1 door  
for niche installation

- variable solution for easy creation of niche shower door
- create a width of shower door from 955 mm up to 1 905 mm



6 mm ESG Tempered glass  
**Transparent 02**



Profile colour  
**Brillant 00 / Silver (Elox) 01**

### TBD (universal in-line side wall for TDO1 or TCO1)

type	ordering No.	installation width (y)	height (h)	profile	glass	delivery method	Price
TBD/240	744-0180000-00-02	212-237	2008*	brillant	transparent	0	132 €
TBD/440	744-0380000-00-02	412-437	2008*	brillant	transparent	0	154 €
TBD/640	744-0580000-00-02	612-637	2008*	brillant	transparent	0	161 €
TBD/740	744-0680000-00-02	712-737	2008*	brillant	transparent	0	217 €

h\* - height including supporting elements



■ The flexible support bar ensures safe stability

### TBD (atypical customized solution)

type	width (y)	height (h)	profile	glass	delivery method
TBD	up to 1000 mm	up to 2000 mm	brillant	transparent	Z
TBD	up to 1000 mm	up to 2000 mm	brillant	intimglass*	Z
TBD	up to 1000 mm	up to 2000 mm	brillant	chinchilla	Z
TBD	up to 1000 mm	up to 2000 mm	brillant	rauch	Z
TBD	up to 1000 mm	up to 2000 mm	brillant	satinato	Z

\* in the INTIMGLASS version it is necessary to distinguish between LEFT and RIGHT solutions



Nominal sizes of shower enclosures are designed for INSTALLATION ON THE TRAY and they are always assembled with indentation from the edge of the tray. With INSTALLATION ON THE TILES there is a risk, that the size of shower enclosure will be smaller than measured width of the tiles. It is necessary to follow the size charts on "TECHNICAL SPECIFICATION" pages at the end of our catalogue (p. 261-283).





Choose the dimension you need! By using this universal in-line side wall you can create truly perfect door for niche from the standard doors TDO1 or TCO1.

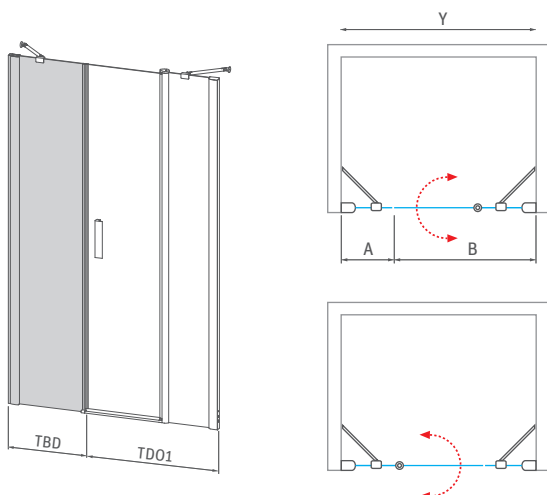
■ High quality lifting mechanism for easy opening



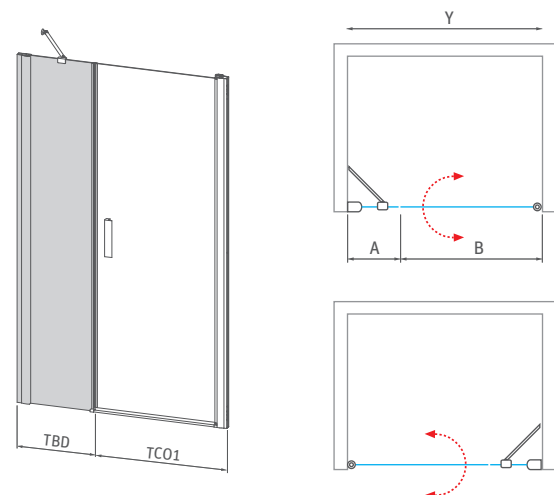
	Y (min-max)	TDO1					
		800	900	1000	1100	1200	
		B	B	B	B	B	
		743-768	843-868	943-968	1043-1068	1143-1168	
TBD/240	A	212-237	955-1005	1055-1105	1155-1205	1255-1305	1355-1405
TBD/440	A	412-437	1155-1205	1255-1305	1355-1405	1455-1505	1555-1605
TBD/640	A	612-637	1355-1405	1455-1505	1555-1605	1655-1705	1755-1805
TBD/740	A	712-737	1455-1505	1555-1605	1655-1705	1755-1805	1855-1905

	Y (min-max)	TCO1					
		800	900	1000	1100	1200	
		B	B	B	B	B	
		756-771	856-871	956-971	1056-1071	1156-1171	
TBD/240	A	212-237	968-1008	1068-1108	1168-1208	1268-1308	1368-1408
TBD/440	A	412-437	1168-1208	1268-1308	1368-1408	1468-1508	1568-1608
TBD/640	A	612-637	1368-1408	1468-1508	1568-1608	1668-1708	1768-1808
TBD/740	A	712-737	1468-1508	1568-1608	1668-1708	1768-1808	1868-1908

■ TBD - universal LEFT and RIGHT solution



■ TBD - universal LEFT and RIGHT solution



**Tower Line**  
you can rely on

proven lifting system  
of the door opening

## **TZOL1 + TZOP1**

square or rectangular shower enclosure  
with folding shower door and pivot system

6 mm ESG Tempered glass  
**Transparent 02**



Profile colour  
**Brillant 00**



■ TZOL1 + TZOP1

## easy maintenance thanks to the minimum of profiles

- easy entry through fully openable door, with opening inside and outside
- possibility to fold the door completely to the wall
- quality sealing components and easy maintenance



■ Embedded door hinges on the inside for easy cleaning



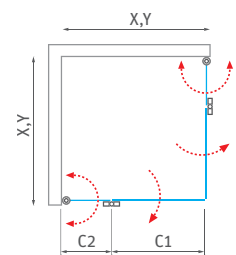
■ The square combination **TZOL1 + TZOP1** is nice, but you can assemble any combination of sizes

### TZOP1 / TZOL1 (folding shower door with pivot system)

type	ordering No.	installation width (y)	height (h)	door width (c)	side part width (s)	profile	glass	delivery method	Price
TZOP1/800	737-800000P-00-02	775-795	2012*	470	292-312	brillant	transparent	0	409 €
TZOP1/900	737-900000P-00-02	875-895	2012*	470	392-412	brillant	transparent	0	422 €
TZOP1/1000	737-100000P-00-02	975-995	2012*	570	392-412	brillant	transparent	0	436 €
TZOP1/1100	737-110000P-00-02	1075-1095	2012*	570	492-512	brillant	transparent	0	449 €
TZOP1/1200	737-120000P-00-02	1175-1195	2012*	670	492-512	brillant	transparent	0	463 €
TZOL1/800	737-800000L-00-02	775-795	2012*	470	292-312	brillant	transparent	0	409 €
TZOL1/900	737-900000L-00-02	875-895	2012*	470	392-412	brillant	transparent	0	422 €
TZOL1/1000	737-100000L-00-02	975-995	2012*	570	392-412	brillant	transparent	0	436 €
TZOL1/1100	737-110000L-00-02	1075-1095	2012*	570	492-512	brillant	transparent	0	449 €
TZOL1/1200	737-120000L-00-02	1175-1195	2012*	670	492-512	brillant	transparent	0	463 €

h\* - height including supporting elements

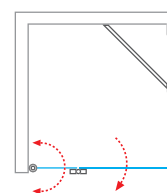
### ■ TZOP1 + TZOL1



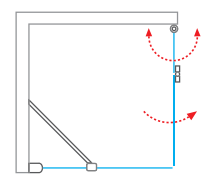
### TZOP1 / TZOL1 (atypical customized solution)

type	width (y)	height (h)	profile	glass	delivery method
TZOP1 / TZOL1	up to 1200 mm	up to 2000 mm	brillant	transparent	Z
TZOP1 / TZOL1	up to 1200 mm	up to 2000 mm	brillant	intimglass	Z
TZOP1 / TZOL1	up to 1200 mm	up to 2000 mm	brillant	rauch	Z
TZOP1 / TZOL1	up to 1200 mm	up to 2000 mm	brillant	satinato	Z

### ■ TZOL1 + TB



### ■ TB + TZOP1



Nominal sizes of shower enclosures are designed for INSTALLATION ON THE TRAY and they are always assembled with indentation from the edge of the tray. With INSTALLATION ON THE TILES there is a risk, that the size of shower enclosure will be smaller than measured width of the tiles. It is necessary to follow the size charts on "TECHNICAL SPECIFICATION" pages at the end of our catalogue (p. 261-283).

# Tower Line

you can rely on

easy maintenance thanks  
to the minimum of profiles



## TZNL1 / TZNP1

shower door for niche installation  
with folding parts and pivot system

- possibility to fold the door completely to the wall
- quality sealing components and easy maintenance
- RothETC glass surface treatment for easy maintenance



6 mm ESG Tempered glass  
**Transparent O2**



Profile colour  
**Brillant OO**



### TZNL1 / TZNP1 (folding shower door for a niche)

type	ordering No.	installation width (y)	height (h)	door width (c)	fixed part width (s)	profile	glass	delivery method	Price
TZNL1/800	739-800000L-00-02	775-810	2012*	470	267-292	brillant	transparent	0	360 €
TZNL1/900	739-900000L-00-02	875-910	2012*	470	367-392	brillant	transparent	0	391 €
TZNL1/1000	739-100000L-00-02	975-1010	2012*	570	367-392	brillant	transparent	0	422 €
TZNL1/1100	739-110000L-00-02	1075-1110	2012*	570	467-492	brillant	transparent	0	454 €
TZNL1/1200	739-120000L-00-02	1175-1210	2012*	670	467-492	brillant	transparent	0	485 €
TZNP1/800	739-800000P-00-02	775-810	2012*	470	267-292	brillant	transparent	0	360 €
TZNP1/900	739-900000P-00-02	875-910	2012*	470	367-392	brillant	transparent	0	391 €
TZNP1/1000	739-100000P-00-02	975-1010	2012*	570	367-392	brillant	transparent	0	422 €
TZNP1/1100	739-110000P-00-02	1075-1110	2012*	570	467-492	brillant	transparent	0	454 €
TZNP1/1200	739-120000P-00-02	1175-1210	2012*	670	467-492	brillant	transparent	0	485 €

h\* - height including supporting elements

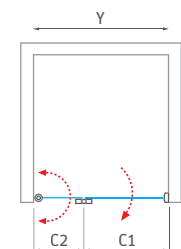
### TZNL1 / TZNP1 (atypical customized solution)

type	width (y)	height (h)	profile	glass	delivery method
TZNL1 / TZNP1	up to 1200 mm	up to 2000 mm	brillant	transparent	Z
TZNL1 / TZNP1	up to 1200 mm	up to 2000 mm	brillant	chinchilla	Z
TZNL1 / TZNP1	up to 1200 mm	up to 2000 mm	brillant	rauch	Z
TZNL1 / TZNP1	up to 1200 mm	up to 2000 mm	brillant	satinato	Z

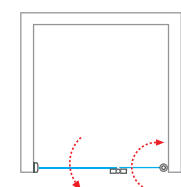


Nominal sizes of shower enclosures are designed for INSTALLATION ON THE TRAY and they are always assembled with indentation from the edge of the tray. With INSTALLATION ON THE TILES there is a risk, that the size of shower enclosure will be smaller than measured width of the tiles. It is necessary to follow the size charts on "TECHNICAL SPECIFICATION" pages at the end of our catalogue (p. 261-283).

#### ■ TZNL1



#### ■ TZNP1



# proven lifting system of the door opening



■ TDN1

## TDN1

single opening shower door with fixed element  
for niche installation

- easy entry thanks to both-way opening inside and outside
- RothETC glass surface treatment for easy maintenance
- easy installation and reliable functionality



6 mm ESG Tempered glass  
**Transparent O2**



Profile colour  
**Brillant OO / Silver (Elox) O1**

### TDN1 (single shower door for a niche)

type	ordering No.	installation width (y)	height (h)	door width (c)	side part width (s)	profile	glass	delivery method	Price
TDN1/800	726-8000000-00-02	775-810	2019*	425	295-320	brillant	transparent	0	411 €
TDN1/800	726-8000000-01-02	775-810	2019*	425	295-320	silver	transparent	0	393 €
TDN1/900	726-9000000-00-02	875-910	2019*	525	295-320	brillant	transparent	S	438 €
TDN1/900	726-9000000-01-02	875-910	2019*	525	295-320	silver	transparent	S	420 €
TDN1/1000	726-1000000-00-02	975-1010	2019*	625	295-320	brillant	transparent	S	465 €
TDN1/1000	726-1000000-01-02	975-1010	2019*	625	295-320	silver	transparent	S	447 €
TDN1/1100	726-1100000-00-02	1075-1110	2019*	625	395-420	brillant	transparent	0	492 €
TDN1/1100	726-1100000-01-02	1075-1110	2019*	625	395-420	silver	transparent	0	474 €
TDN1/1200	726-1200000-00-02	1175-1210	2019*	725	395-420	brillant	transparent	0	516 €
TDN1/1200	726-1200000-01-02	1175-1210	2019*	725	395-420	silver	transparent	0	498 €

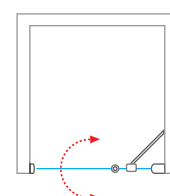
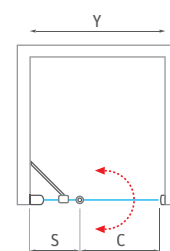
h\* - height including supporting elements

### TDN1 (atypical customized solution)

type	width (y)	height (h)	profile	glass	delivery method
TDN1	up to 1200 mm	up to 2000 mm	silver / brillant	transparent	Z
TDN1	up to 1200 mm	up to 2000 mm	silver / brillant	intimglass*	Z
TDN1	up to 1200 mm	up to 2000 mm	silver / brillant	chinchilla*	Z
TDN1	up to 1200 mm	up to 2000 mm	silver / brillant	rauch	Z
TDN1	up to 1200 mm	up to 2000 mm	silver / brillant	satinato*	Z

\* in the INTIMGLASS, CHINCHILLA, and SATINATO versions it is necessary to distinguish between LEFT and RIGHT solutions

■ TDN1 - universal LEFT and RIGHT solution



Nominal sizes of shower enclosures are designed for **INSTALLATION ON THE TRAY** and they are always assembled with indentation from the edge of the tray. With **INSTALLATION ON THE TILES** there is a risk, that the size of shower enclosure will be smaller than measured width of the tiles. It is necessary to follow the size charts on "TECHNICAL SPECIFICATION" pages at the end of our catalogue (p. 261-283).

**Tower Line**  
you can rely on

proven lifting system  
of the door opening

## TCN1

single opening shower door for niche installation  
or for combination with side panel TCB

6 mm ESG Tempered glass  
Transparent 02 / Intimglass 20



Profile colour  
Brillant 00 / Silver (Elox) 01



## easy maintenance thanks to the minimum of profiles

- standard height 2000 mm and large selection of offered variants
- quality lifting mechanism for convenient opening inside and outside
- RothETC glass surface treatment for easy maintenance



■ The upper part of the TCN1 lifting and wall profile assembly

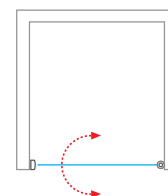
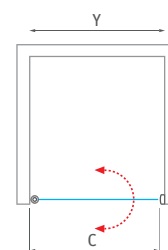


### TCN1 (single shower door for a niche)

type	ordering No.	installation width (y)	height (h)	door width (c)	profile	glass	delivery method	Price
TCN1/800	728-8000000-00-02	775-810	2012*	680	brillant	transparent	S	342 €
TCN1/800	728-8000000-00-20	775-810	2012*	680	brillant	intimglass	O	487 €
TCN1/800	728-8000000-01-02	775-810	2012*	680	silver	transparent	O	326 €
TCN1/800	728-8000000-01-20	775-810	2012*	680	silver	intimglass	O	472 €
TCN1/900	728-9000000-00-02	875-910	2012*	780	brillant	transparent	S	362 €
TCN1/900	728-9000000-00-20	875-910	2012*	780	brillant	intimglass	O	507 €
TCN1/900	728-9000000-01-02	875-910	2012*	780	silver	transparent	S	346 €
TCN1/900	728-9000000-01-20	875-910	2012*	780	silver	intimglass	O	492 €
TCN1/1000	728-1000000-00-02	975-1010	2012*	880	brillant	transparent	S	382 €
TCN1/1000	728-1000000-00-20	975-1010	2012*	880	brillant	intimglass	O	528 €
TCN1/1000	728-1000000-01-02	975-1010	2012*	880	silver	transparent	S	367 €
TCN1/1000	728-1000000-01-20	975-1010	2012*	880	silver	intimglass	O	512 €
TCN1/1100	728-1100000-00-02	1075-1110	2012*	980	brillant	transparent	O	402 €
TCN1/1100	728-1100000-00-20	1075-1110	2012*	980	brillant	intimglass	O	548 €
TCN1/1100	728-1100000-01-02	1075-1110	2012*	980	silver	transparent	O	387 €
TCN1/1100	728-1100000-01-20	1075-1110	2012*	980	silver	intimglass	O	532 €
TCN1/1200	728-1200000-00-02	1175-1210	2012*	1080	brillant	transparent	O	422 €
TCN1/1200	728-1200000-00-20	1175-1210	2012*	1080	brillant	intimglass	O	568 €
TCN1/1200	728-1200000-01-02	1175-1210	2012*	1080	silver	transparent	O	407 €
TCN1/1200	728-1200000-01-20	1175-1210	2012*	1080	silver	intimglass	O	552 €

h\* - height including supporting elements

- TCN1 - universal LEFT and RIGHT solution



### TCN1 (atypical customized solution)

type	width (y)	height (h)	profile	glass	delivery method
TCN1	up to 1200 mm	up to 2000 mm	silver / brillant	transparent	Z
TCN1	up to 1200 mm	up to 2000 mm	silver / brillant	intimglass	Z
TCN1	up to 1200 mm	up to 2000 mm	silver / brillant	chinchilla	Z
TCN1	up to 1200 mm	up to 2000 mm	silver / brillant	rauch	Z
TCN1	up to 1200 mm	up to 2000 mm	silver / brillant	satinato	Z



Nominal sizes of shower enclosures are designed for INSTALLATION ON THE TRAY and they are always assembled with indentation from the edge of the tray. With INSTALLATION ON THE TILES there is a risk, that the size of shower enclosure will be smaller than measured width of the tiles. It is necessary to follow the size charts on "TECHNICAL SPECIFICATION" pages at the end of our catalogue (p. 261-283).

## Tower Line

you can rely on

proven lifting system  
of the door opening



TCN2

## TCN2

double opening shower door for niche installation  
or for combination with side panel TCB

- generous entrance with double-sided opening inside and outside
- quality sealing components and easy maintenance
- RothETC glass surface treatment for easy maintenance



6 mm ESG Tempered glass  
**Transparent 02 / Intimglass 20**



Profile colour  
**Brillant 00 / Silver (Elox) 01**

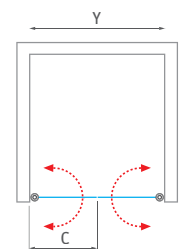


### TCN2 (double pivot door for a niche)

type	ordering No.	installation width (y)	height (h)	door width (c)	profile	glass	delivery method	Price
TCN2/800	731-8000000-00-02	785-820	2012*	320	brillant	transparent	S	389 €
TCN2/800	731-8000000-00-20	785-820	2012*	320	brillant	intimglass	0	534 €
TCN2/800	731-8000000-01-02	785-820	2012*	320	silver	transparent	0	373 €
TCN2/800	731-8000000-01-20	785-820	2012*	320	silver	intimglass	0	519 €
TCN2/900	731-9000000-00-02	885-920	2012*	370	brillant	transparent	S	400 €
TCN2/900	731-9000000-00-20	885-920	2012*	370	brillant	intimglass	0	545 €
TCN2/900	731-9000000-01-02	885-920	2012*	370	silver	transparent	S	384 €
TCN2/900	731-9000000-01-20	885-920	2012*	370	silver	intimglass	0	530 €
TCN2/1000	731-1000000-00-02	985-1020	2012*	420	brillant	transparent	S	411 €
TCN2/1000	731-1000000-00-20	985-1020	2012*	420	brillant	intimglass	0	557 €
TCN2/1000	731-1000000-01-02	985-1020	2012*	420	silver	transparent	S	396 €
TCN2/1000	731-1000000-01-20	985-1020	2012*	420	silver	intimglass	0	541 €
TCN2/1100	731-1100000-00-02	1085-1120	2012*	470	brillant	transparent	0	422 €
TCN2/1100	731-1100000-00-20	1085-1120	2012*	470	brillant	intimglass	0	568 €
TCN2/1100	731-1100000-01-02	1085-1120	2012*	470	silver	transparent	0	407 €
TCN2/1100	731-1100000-01-20	1085-1120	2012*	470	silver	intimglass	0	552 €
TCN2/1200	731-1200000-00-02	1185-1220	2012*	520	brillant	transparent	S	434 €
TCN2/1200	731-1200000-00-20	1185-1220	2012*	520	brillant	intimglass	0	579 €
TCN2/1200	731-1200000-01-02	1185-1220	2012*	520	silver	transparent	0	418 €
TCN2/1200	731-1200000-01-20	1185-1220	2012*	520	silver	intimglass	0	563 €

h\* - height including supporting elements

TCN2



Nominal sizes of shower enclosures are designed for INSTALLATION ON THE TRAY and they are always assembled with indentation from the edge of the tray. With INSTALLATION ON THE TILES there is a risk, that the size of shower enclosure will be smaller than measured width of the tiles. It is necessary to follow the size charts on "TECHNICAL SPECIFICATION" pages at the end of our catalogue (p. 261-283).



easy maintenance thanks  
to the minimum of profiles



## TCB

side panel for combination with opening doors  
TCN1 or TCN2

- RothETC glass surface treatment for easy maintenance
- universal left and right solution



6 mm ESG Tempered glass  
**Transparent O2**



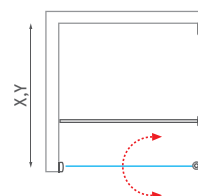
Profile colour  
**Brillant 00 / Silver (Elox) 01**

### TCB (side panel to TCN2 / TCN1)

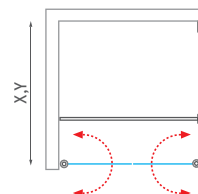
type	ordering No.	installation width (y)	height (h)	door width (c)	profile	glass	delivery method	Price
TCB/800	741-8000000-00-02	775-800	2025*	—	brillant	transparent	0	315 €
TCB/800	741-8000000-01-02	775-800	2025*	—	silver	transparent	0	300 €
TCB/900	741-9000000-00-02	875-900	2025*	—	brillant	transparent	S	326 €
TCB/900	741-9000000-01-02	875-900	2025*	—	silver	transparent	0	304 €
TCB/1000	741-1000000-00-02	975-1000	2025*	—	brillant	transparent	0	338 €
TCB/1000	741-1000000-01-02	975-1000	2025*	—	silver	transparent	0	322 €

h\* - height including supporting elements

### TCN1 + TCB



### TCN2 + TCB



### TCB (atypical customized solution)

type	width (y)	height (h)	profile	glass	delivery method
TCB	up to 1200 mm	up to 2000 mm	silver / brillant	transparent	Z
TCB	up to 1200 mm	up to 2000 mm	silver / brillant	intimglass*	Z
TCB	up to 1200 mm	up to 2000 mm	silver / brillant	chinchilla*	Z
TCB	up to 1200 mm	up to 2000 mm	silver / brillant	rauch	Z
TCB	up to 1200 mm	up to 2000 mm	silver / brillant	satinato*	Z

\* in the INTIMGLASS, CHINCHILLA, and SATINATO versions it is necessary to distinguish between LEFT and RIGHT solutions

### TCN2 (atypical customized solution)

type	width (y)	height (h)	profile	glass	delivery method
TCN2	up to 1800 mm	up to 2000 mm	silver / brillant	transparent	Z
TCN2	up to 1800 mm	up to 2000 mm	silver / brillant	intimglass	Z
TCN2	up to 1800 mm	up to 2000 mm	silver / brillant	chinchilla	Z
TCN2	up to 1800 mm	up to 2000 mm	silver / brillant	rauch	Z
TCN2	up to 1800 mm	up to 2000 mm	silver / brillant	satinato	Z



Nominal sizes of shower enclosures are designed for **INSTALLATION ON THE TRAY** and they are always assembled with indentation from the edge of the tray. With **INSTALLATION ON THE TILES** there is a risk, that the size of shower enclosure will be smaller than measured width of the tiles. It is necessary to follow the size charts on "TECHNICAL SPECIFICATION" pages at the end of our catalogue (p. 261-283).

**Tower Line**  
you can rely on

proven lifting system  
of the door opening

## TDN2

double shower door with fixed part for niche installation

6 mm ESG Tempered glass  
**Transparent 02**



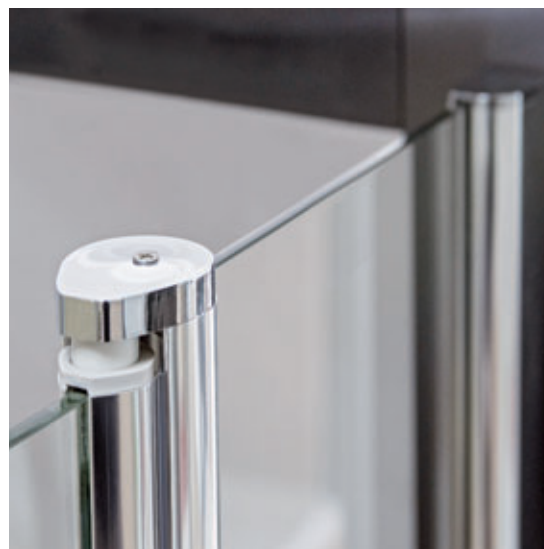
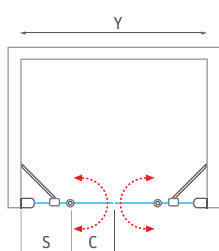
Profile colour  
**Brillant 00 / Silver (Elox) 01**



## easy maintenance thanks to the minimum of profiles

- RothETC glass surface treatment for easy maintenance
- quality lifting mechanism for convenient opening inside and outside

### ■ TDN2



■ Door profile with quality lifting mechanism

### TDN2 (double pivot door for a niche)

type	ordering No.	installation width (y)	height (h)	door width (c)	side part width (s)	profile	glass	delivery method	Price
TDN2/1100	721-1100000-00-02	1060-1110	2012*	330	195-220	brillant	transparent	0	590 €
TDN2/1100	721-1100000-01-02	1060-1110	2012*	330	195-220	silver	transparent	0	574 €
TDN2/1200	721-1200000-00-02	1160-1210	2012*	330	245-270	brillant	transparent	0	615 €
TDN2/1200	721-1200000-01-02	1160-1210	2012*	330	245-270	silver	transparent	0	599 €
TDN2/1300	721-1300000-00-02	1260-1310	2012*	430	195-220	brillant	transparent	0	642 €
TDN2/1300	721-1300000-01-02	1260-1310	2012*	430	195-220	silver	transparent	0	626 €
TDN2/1400	721-1400000-00-02	1360-1410	2012*	430	245-270	brillant	transparent	0	668 €
TDN2/1400	721-1400000-01-02	1360-1410	2012*	430	245-270	silver	transparent	0	653 €
TDN2/1500	721-1500000-00-02	1460-1510	2012*	530	195-220	brillant	transparent	0	695 €
TDN2/1500	721-1500000-01-02	1460-1510	2012*	530	195-220	silver	transparent	0	680 €

h\* - height including supporting elements

### TDN2 (atypical customized solution)

type	width (y)	height (h)	profile	glass	delivery method
TDN2	up to 1500 mm	up to 2000 mm	silver / brillant	transparent	Z
TDN2	up to 1500 mm	up to 2000 mm	silver / brillant	intimglass	Z
TDN2	up to 1500 mm	up to 2000 mm	silver / brillant	chinchilla	Z
TDN2	up to 1500 mm	up to 2000 mm	silver / brillant	rauch	Z
TDN2	up to 1500 mm	up to 2000 mm	silver / brillant	satinato	Z
TDN2	from 1501 mm up to 2000 mm	up to 2000 mm	silver / brillant	transparent	Z
TDN2	from 1501 mm up to 2000 mm	up to 2000 mm	silver / brillant	intimglass	Z
TDN2	from 1501 mm up to 2000 mm	up to 2000 mm	silver / brillant	chinchilla	Z
TDN2	from 1501 mm up to 2000 mm	up to 2000 mm	silver / brillant	rauch	Z
TDN2	from 1501 mm up to 2000 mm	up to 2000 mm	silver / brillant	satinato	Z



Nominal sizes of shower enclosures are designed for INSTALLATION ON THE TRAY and they are always assembled with indentation from the edge of the tray. With INSTALLATION ON THE TILES there is a risk, that the size of shower enclosure will be smaller than measured width of the tiles. It is necessary to follow the size charts on "TECHNICAL SPECIFICATION" pages at the end of our catalogue (p. 261-283).

# Tower Line

you can rely on

inspiration for unusual shower space solutions



## TCW1 + TBS

single fixed wall with one pivoting element and selfstanding side panel

- short pivoting door functions as a smart solution against spray of water
- single fixed wall is stabilised with telescopic support bar
- selfstanding side panel TBS offers a wide range of possibilities



6 mm ESG Tempered glass  
**Transparent 02**



Profile colour  
**Brillant 00**

### TCW1 (single fixed panel with one pivoting element)

type	ordering No.	installation width (y)	height (h)	pivoting element width (c)	profile	glass	delivery method	Price
TCW1/800	745-8000000-00-02	765-790	2025*	383	brillant	transparent	0	465 €
TCW1/900	745-9000000-00-02	865-890	2025*	383	brillant	transparent	0	485 €
TCW1/1000	745-1000000-00-02	965-990	2025*	383	brillant	transparent	0	507 €
TCW1/1200	745-1200000-00-02	1165-1190	2025*	383	brillant	transparent	0	552 €
TCW1/1400	745-1400000-00-02	1365-1390	2025*	383	brillant	transparent	0	597 €

h\* - height including supporting elements

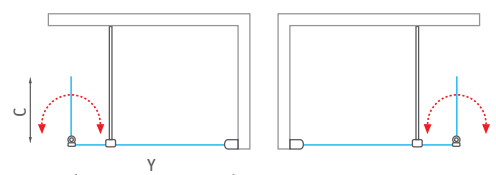


### TCW1 (atypical customized solution)

type	width (y)	height (h)	profile	glass	delivery method
TCW1	up to 1600 mm	up to 2000 mm	brillant	transparent	Z
TCW1	up to 1600 mm	up to 2000 mm	brillant	intimglass*	Z
TCW1	up to 1600 mm	up to 2000 mm	brillant	rauch	Z
TCW1	up to 1600 mm	up to 2000 mm	brillant	satinato	Z

\* in the INTIMGLASS version it is necessary to distinguish between LEFT and RIGHT solutions

■ TCW1 - universal LEFT and RIGHT solution



Nominal sizes of shower enclosures are designed for INSTALLATION ON THE TRAY and they are always assembled with indentation from the edge of the tray. With INSTALLATION ON THE TILES there is a risk, that the size of shower enclosure will be smaller than measured width of the tiles. It is necessary to follow the size charts on "TECHNICAL SPECIFICATION" pages at the end of our catalogue (p. 261-283).

easy maintenance thanks  
to the minimum of profiles



■ Separately used product **TCW1**



■ Telescopic support bar length up to 1 500 mm

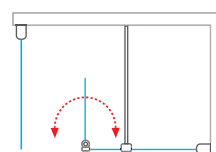
### TBS (selfstanding side wall)

type	ordering No.	installation width (y)	height (h)	profile	glass	delivery method	Price
TBS/800	746-8000000-00-02	760-785	2008*	brillant	transparent	0	199 €
TBS/900	746-9000000-00-02	860-885	2008*	brillant	transparent	0	206 €
TBS/1000	746-1000000-00-02	960-985	2008*	brillant	transparent	0	212 €

h\* - height including supporting elements

It is suitable to use the side wall TBS as an additional product to TCW1. This gives a variable solution to your shower enclosure regardless of its installation size. TBS you can place at any distance from the corner.

■ TCW1 + TBS

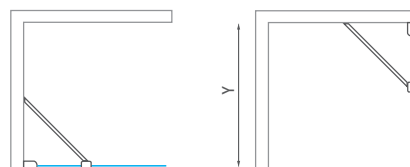


### TBS (atypical customized solution)

type	width (y)	height (h)	profile	glass	delivery method
TBS	up to 1200 mm	up to 2000 mm	brillant	transparent	Z
TBS	up to 1200 mm	up to 2000 mm	brillant	intimglass*	Z
TBS	up to 1200 mm	up to 2000 mm	brillant	rauch	Z
TBS	up to 1200 mm	up to 2000 mm	brillant	satinato	Z

\* in the INTIMGLASS version it is necessary to distinguish between LEFT and RIGHT solutions

■ TBS - universal LEFT and RIGHT solution



Nominal sizes of shower enclosures are designed for INSTALLATION ON THE TRAY and they are always assembled with indentation from the edge of the tray. With INSTALLATION ON THE TILES there is a risk, that the size of shower enclosure will be smaller than measured width of the tiles. It is necessary to follow the size charts on "TECHNICAL SPECIFICATION" pages at the end of our catalogue (p. 261-283).

**Ambient Line**  
purity of shapes



QUADRANT



CORNER



NICHE



„U“ CABIN

Purity of shapes and revolutionary design combined with an exceptional sliding mechanism

# Ambient Line

By the use of high quality components made out of chrome-plated brass we achieved an unbeatably quiet operation. Standard height of 2 metres with a possibility of any door size combination will truly alleviate your worries about planning of your place for relaxation and wellness.

■ universal sliding door for a niche or in combination with a side panel

■ standard door dimensions from 1 200 to 1 500 mm

■ magnetic seal closure ensures improved tightness

# Ambient Line

purity of shapes

unbeatably quiet  
rollers operation

## AMR2N

quadrant shower enclosure  
with double sliding doors

- high quality components made out of chrome-plated brass have unbeatably quiet operation
- modern design with visible rollers
- RothETC glass surface treatment for easy maintenance



8 mm ESG Tempered glass  
Transparent 02



Profile colour  
Brillant 00



■ Magnetic seal closure with bottom door seal for perfect water-tightness



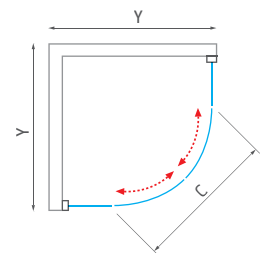
■ Quality stainless steel rollers for quiet operation

### AMR2N (quadrant shower enclosure with two sliding doors)

type	ordering No.	installation width (y)	height (h)	entrance width (c)	profile	glass	delivery method	Price
AMR2N/900	624-9000000-00-02	885-895	2000	510	brillant	transparent	S	852 €
AMR2N/1000	624-1000000-00-02	985-995	2000	510	brillant	transparent	O	958 €

R - standard radius R550

### ■ AMR2N



Nominal sizes of shower enclosures are designed for INSTALLATION ON THE TRAY and they are always assembled with indentation from the edge of the tray. With INSTALLATION ON THE TILES there is a risk, that the size of shower enclosure will be smaller than measured width of the tiles. It is necessary to follow the size charts on "TECHNICAL SPECIFICATION" pages at the end of our catalogue (p. 261-283).





The purity of shapes and distinctive design of this **Ambient Line** series in combination with the exceptional sliding mechanism brings real comfort to your bathroom.



■ AMR2N

# Ambient Line

purity of shapes

unbeatably quiet  
rollers operation



## AMD2

sliding shower door for niche installation  
or in combination with a side panel AMB

- standard door dimensions from 1 200 to 1 500 mm
- modern design with visible rollers
- the possibility to order any glass with „mirror effect“ finishing option - see next double page



8 mm ESG Tempered glass  
**Transparent 02**



Profile colour  
**Brillant 00**

### AMD2 (sliding shower door)

type	ordering No.	installation width (y)	height (h)	entrance width (c)	profile	glass	delivery method	Price
AMD2/1200	620-1200000-00-02	1100-1200	2000	410-510	brillant	transparent	S	505 €
AMD2/1300	620-1300000-00-02	1200-1300	2000	460-560	brillant	transparent	S	528 €
AMD2/1400	620-1400000-00-02	1300-1400	2000	510-610	brillant	transparent	S	550 €
AMD2/1500	620-1500000-00-02	1400-1500	2000	560-660	brillant	transparent	S	574 €

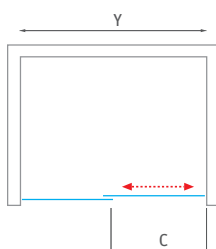


### AMD2 (atypical customized solution)

type	width (y)	height (h)	profile	glass	delivery method
AMD2	up to 1800 mm	up to 2000 mm	brillant	transparent	Z

■ AMD2 - universal LEFT and RIGHT solution

■ left door



■ right door



■ Stainless steel ball bearing rollers



Nominal sizes of shower enclosures are designed for INSTALLATION ON THE TRAY and they are always assembled with indentation from the edge of the tray. With INSTALLATION ON THE TILES there is a risk, that the size of shower enclosure will be smaller than measured width of the tiles. It is necessary to follow the size charts on "TECHNICAL SPECIFICATION" pages at the end of our catalogue (p. 261-283).

# universal left and right solution



## AMB

side panel for combination  
with sliding door AMD2

- magnetic seal closure to ensure improved water tightness
- RothETC glass surface treatment for easy maintenance
- the possibility of „mirror effect“ option - see next double page



8 mm ESG Tempered glass  
**Transparent 02**



Profile colour  
**Brillant 00**

### AMB (side panel for combination with sliding door AMD2)

type	ordering No.	installation width (y)	height (h)	entrance width (c)	profile	glass	delivery method	Price
AMB/800	621-8000000-00-02	780-790	2000	—	brillant	transparent	S	219 €
AMB/900	621-9000000-00-02	880-890	2000	—	brillant	transparent	S	248 €



### AMB (atypical customized solution)

type	width (y)	height (h)	profile	glass	delivery method
AMB	up to 1200 mm	up to 2000 mm	brillant	transparent	Z



■ AMD2 + AMB



■ AMB + AMD2



■ AMB + AMD2 + AMB



Nominal sizes of shower enclosures are designed for INSTALLATION ON THE TRAY and they are always assembled with indentation from the edge of the tray. With INSTALLATION ON THE TILES there is a risk, that the size of shower enclosure will be smaller than measured width of the tiles. It is necessary to follow the size charts on "TECHNICAL SPECIFICATION" pages at the end of our catalogue (p. 261-283).

**In addition - practical**  
mirror right on the enclosure

# Mirror effect

Do you want to have a large mirror that really shows you from head to toe? Or would you like to optically enlarge the space of your bathroom? You can get both straight as part of your new shower.

When you order the shower enclosure, you can also order the mirror effect. Your selected glass will be coated by special layer allowing you to have a practical mirror in your bathroom.

The bathroom area will look more attractive, bigger and it will get another dimension. Mirror effect can be ordered on products from the WALK IN LINE - WALK IN ATYP (p. 45) and from AMBIENT LINE - models AMD2 and AMB.



■ **WALK G** - offers a truly large mirror format

■ **AMD2** with both glass panes in „mirror effect“ finishing in combination with side panel **AMB**



## Choose, where the mirror effect will be placed

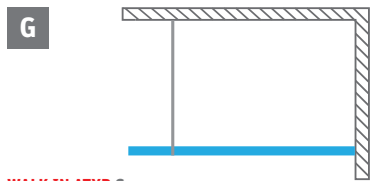
For the atypical WALK IN ATYP solution (p. 45) and the MIRROR EFFECT layer on the selected glass, contact your seller.

### ■ WALK IN LINE AMBIENT LINE

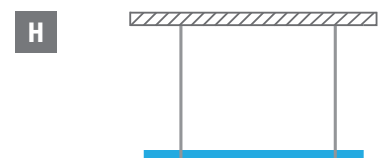
#### mirror effect

surcharge for 1 piece of glass selected according to the offer

MIRROR EFFECT	delivery method	PRICE
MIRROR EFFECT glass size: 0 - 1500 mm	Z	on request



WALK IN ATYP G



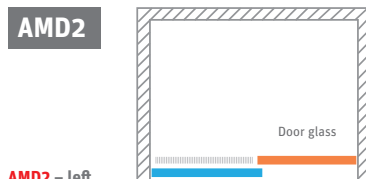
WALK IN ATYP H

XXX-XXXXXXX**X**-XX-XX



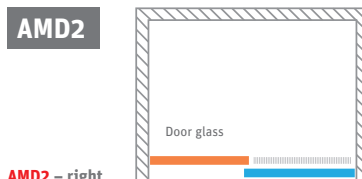
620-130000**L-00-54**

model AMD2 / 1300  
left / right L - Left  
profile colour 00 - Brillant  
glass type 54 - I. Transparent + II. Mirror



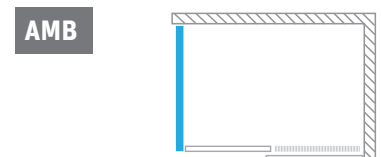
AMD2 - left

	I.	II.	Glass type ID	left/right ID
mirror effect	●	●	52	L
	●	●	53	L
	●	●	54	L



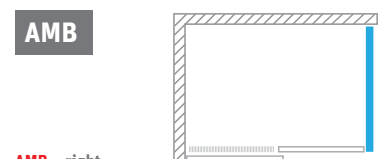
AMD2 - right

	I.	II.	Glass type ID	left/right ID
mirror effect	●	●	52	P
	●	●	53	P
	●	●	54	P



AMB - left

mirror effect	I.	Glass type ID	left/right ID
	●	51	L



AMB - right

mirror effect	I.	Glass type ID	left/right ID
	●	51	P

## Proxima Line

success is guaranteed

The most successful line of recent years has been complemented with new models

# Proxima Line

6 mm safety glass, RothETC glass protection together with a newly specified standard height of 2 metres, allows extensive combinations with designed acrylic or cast marble trays.

■ adjustable pivot door hinges ensure easy installation

■ long durability rollers with bottom tilt function for easier shower enclosure cleaning

■ funktional towel holder on PXD2N model



QUADRANT



CORNER



NICHE

# Proxima Line

success is guaranteed

large selection of glass types  
and profile colours

## PXR2N

quadrant shower enclosure  
with two sliding doors

- PXR2N model available in two heights  
1 850 or 2 000 mm



6 mm ESG Tempered glass  
Transparent O2 / Satinato 15 /  
Chinchilla O3



Profile colour  
Brilliant OO



- Handle in Brilliant surface finishing



- Polished aluminium profiles



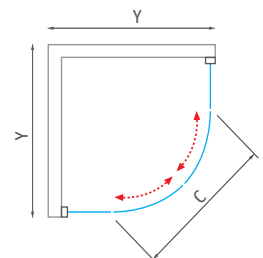
- Ball bearing rollers with long service life



- Bottom tilt function for easy maintenance

### PXR2N (quadrant shower enclosure with two sliding doors)

type	ordering No.	installation width (y)	height (h)	entrance size (c)	profile	glass	delivery method	Price
<b>PXR2N - height 1 850 mm</b>								
PXR2N/800	531-800R55N-00-02	780-805	1850	380	brillant	transparent	S	452 €
PXR2N/800	531-800R55N-00-15	780-805	1850	380	brillant	satinato	O	526 €
PXR2N/900	531-900R55N-00-02	880-905	1850	520	brillant	transparent	S	504 €
PXR2N/900	531-900R55N-00-15	880-905	1850	520	brillant	satinato	S	578 €
PXR2N/900	531-900R55N-00-03	880-905	1850	520	brillant	chinchilla	S	722 €
PXR2N/1000	531-100R55N-00-02	980-1005	1850	520	brillant	transparent	S	554 €
PXR2N/1000	531-100R55N-00-15	980-1005	1850	520	brillant	satinato	O	622 €
<b>PXR2N - height 2 000 mm</b>								
PXR2N/800	532-800R55N-00-02	780-805	2000	380	brillant	transparent	S	480 €
PXR2N/900	532-900R55N-00-02	880-905	2000	520	brillant	transparent	S	506 €
PXR2N/900	532-900R55N-00-03	880-905	2000	520	brillant	chinchilla	S	714 €
PXR2N/1000	532-100R55N-00-02	980-1005	2000	520	brillant	transparent	O	532 €



R - standard radius R550, h\* - height including supporting elements



Nominal sizes of shower enclosures are designed for INSTALLATION ON THE TRAY and they are always assembled with indentation from the edge of the tray. With INSTALLATION ON THE TILES there is a risk, that the size of shower enclosure will be smaller than measured width of the tiles. It is necessary to follow the size charts on "TECHNICAL SPECIFICATION" pages at the end of our catalogue (p. 261-283).





6 mm safety glass, RothETC glass protection together with a newly specified standard height of 2 metres, allows extensive combinations with designed acrylic or cast marble trays.



■ PXR2N

## Proxima Line

success is guaranteed

ball bearing rollers  
with long service life

# PXS2L + PXS2P

square or rectangular shower enclosure  
with two sliding doors

6 mm ESG Tempered glass  
Transparent 02 / Satinato 15



Profile colour  
Brillant 00



■ PXS2L + PXS2P

## bottom tilting for easy maintenance

- 6mm safety glass
- RothETC glass protection against limescale deposits



■ Ball bearing rollers with long service life and bottom tilt function for easy maintenance

■ Perfect details processing

### PXS2L, PXS2P 2-sectional sliding door (left / right side)

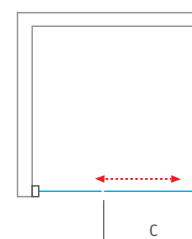
type	ordering No.	installation width (y)	height (h)	entrance size (c)	profile	glass	delivery method	Price
<b>PXS2L - left side / height 1 850 mm</b>								
PXS2L/800	537-8000000-00-02	785-810	1850	385	brillant	transparent	S	236 €
PXS2L/800	537-8000000-00-15	785-810	1850	385	brillant	satinato	O	248 €
PXS2L/900	537-9000000-00-02	885-910	1850	455	brillant	transparent	S	262 €
PXS2L/900	537-9000000-00-15	885-910	1850	455	brillant	satinato	O	274 €
PXS2L/1000	537-1000000-00-02	985-1010	1850	525	brillant	transparent	S	288 €
PXS2L/1000	537-1000000-00-15	985-1010	1850	525	brillant	satinato	O	300 €
<b>PXS2LP - right side / height 1 850 mm</b>								
PXS2P/800	538-8000000-00-02	785-810	1850	385	brillant	transparent	S	236 €
PXS2P/800	538-8000000-00-15	785-810	1850	385	brillant	satinato	O	248 €
PXS2P/900	538-9000000-00-02	885-910	1850	455	brillant	transparent	S	262 €
PXS2P/900	538-9000000-00-15	885-910	1850	455	brillant	satinato	O	274 €
PXS2P/1000	538-1000000-00-02	985-1010	1850	525	brillant	transparent	S	288 €
PXS2P/1000	538-1000000-00-15	985-1010	1850	525	brillant	satinato	O	300 €
<b>PXS2L - left side / height 2 000 mm</b>								
PXS2L/800	528-8000000-00-02	785-810	2000	385	brillant	transparent	S	244 €
PXS2L/900	528-9000000-00-02	885-910	2000	455	brillant	transparent	S	270 €
PXS2L/1000	528-1000000-00-02	985-1010	2000	525	brillant	transparent	S	296 €
<b>PXS2P - right side / height 2 000 mm</b>								
PXS2P/800	529-8000000-00-02	785-810	2000	385	brillant	transparent	S	244 €
PXS2P/900	529-9000000-00-02	885-910	2000	455	brillant	transparent	S	270 €
PXS2P/1000	529-1000000-00-02	985-1010	2000	525	brillant	transparent	S	296 €

h\* - height including supporting elements

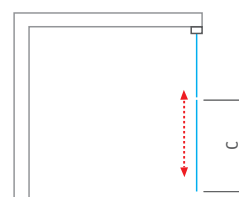
### PXS2L, PXS2P (atypical customized solution)

type	width (y)	height (h)	profile	glass	delivery method
PXS2L	up to 1000 mm	up to 2000 mm	brillant	transparent	Z
PXS2L	up to 1000 mm	up to 2000 mm	brillant	satinato	Z
PXS2P	up to 1000 mm	up to 2000 mm	brillant	transparent	Z
PXS2P	up to 1000 mm	up to 2000 mm	brillant	satinato	Z

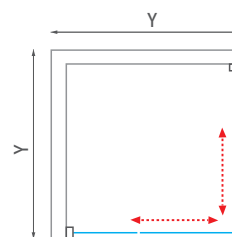
#### ■ PXS2L



#### ■ PXS2P



#### ■ PXS2L + PXS2P



# Proxima Line

success is guaranteed

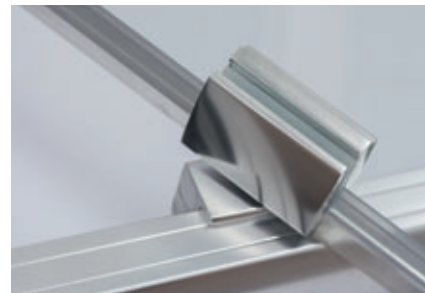
elegant and pure  
design



## PXDO1N

single opening shower door for niche installation

- RothETC glass surface treatment for easy maintenance
- universal LEFT and RIGHT solution
- 6mm safety glass



- Adjustable pivot door hinges ensure easy installation



6 mm ESG Tempered glass  
Transparent O2 / Satinato 15

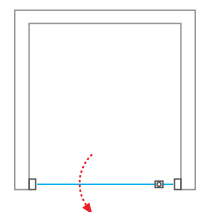
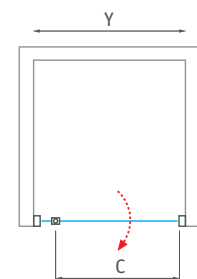


Profile colour  
Brillant OO

### PXDO1N (single shower door)

type	ordering No.	installation width (y)	height (h)	entrance size (c)	profile	glass	delivery method	Price
PXDO1N/800	525-8000000-00-02	772-822	2000	510	brillant	transparent	S	350 €
PXDO1N/800	525-8000000-00-15	772-822	2000	510	brillant	satinato	O	360 €
PXDO1N/900	525-9000000-00-02	872-922	2000	610	brillant	transparent	S	374 €
PXDO1N/900	525-9000000-00-15	872-922	2000	610	brillant	satinato	O	384 €
PXDO1N/1000	525-1000000-00-02	972-1022	2000	710	brillant	transparent	O	398 €
PXDO1N/1000	525-1000000-00-15	972-1022	2000	710	brillant	satinato	O	408 €
PXDO1N/1100	525-1100000-00-02	1072-1122	2000	810	brillant	transparent	O	422 €
PXDO1N/1100	525-1100000-00-15	1072-1122	2000	810	brillant	satinato	O	432 €

- PXDO1N - universal LEFT and RIGHT solution



### PXDO1N (atypical customized solution)

type	width (y)	height (h)	profile	glass	delivery method
PXDO1N	up to 1100 mm	up to 2000 mm	brillant	transparent	Z
PXDO1N	up to 1100 mm	up to 2000 mm	brillant	satinato	Z

for combination to sliding door  
or single opening door



## PXBN

side panel for combination with PXDO1N or PXD2N door

- standard dimensions of side panel from 700 to 1000 mm
- 6mm safety glass
- PXBN cannot be used as a self-standing side panel



6 mm ESG Tempered glass  
**Transparent 02 / Satinato 15**



Profile colour  
**Brillant 00**

PXBN (side panel to PXDO1N or PXD2N)							
type	ordering No.	installation width (y)	height (h)	profile	glass	delivery method	Price
PXBN/700	527-7000000-00-02	680-705	2000	brillant	transparent	0	180 €
PXBN/700	527-7000000-00-15	680-705	2000	brillant	satinato	0	216 €
PXBN/800	527-8000000-00-02	780-805	2000	brillant	transparent	S	184 €
PXBN/800	527-8000000-00-15	780-805	2000	brillant	satinato	0	236 €
PXBN/900	527-9000000-00-02	880-905	2000	brillant	transparent	S	196 €
PXBN/900	527-9000000-00-15	880-905	2000	brillant	satinato	0	256 €
PXBN/1000	527-1000000-00-02	980-1005	2000	brillant	transparent	S	208 €
PXBN/1000	527-1000000-00-15	980-1005	2000	brillant	satinato	0	276 €

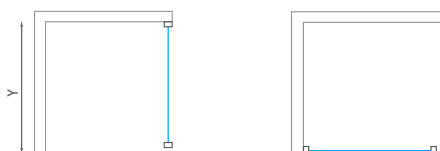


Nominal sizes of shower enclosures are designed for **INSTALLATION ON THE TRAY** and they are always assembled with indentation from the edge of the tray. With **INSTALLATION ON THE TILES** there is a risk, that the size of shower enclosure will be smaller than measured width of the tiles. It is necessary to follow the size charts on "TECHNICAL SPECIFICATION" pages at the end of our catalogue (p. 261-283).

### PXBN (atypical customized solution)

type	width (y)	height (h)	profile	glass	delivery method
PXBN	up to 1100 mm	up to 2000 mm	brillant	transparent	Z
PXBN	up to 1100 mm	up to 2000 mm	brillant	satinato	Z

- **PXBN** - universal LEFT and RIGHT solution



**Proxima Line**  
success is guaranteed

practical design  
and comfort accessories

## PXD2N

sliding shower door for niche installation  
or for combination with side panel PXBN

6 mm ESG Tempered glass  
Transparent 02 / Satinato 15



Profile colour  
Brillant 00



■ PXD2N

## easy maintenance with tilting of bottom rollers



- funktional towel holder
- solid and practical handle
- standard height 2 000 mm
- version with LEFT entry - product must be turned during installation and the rollers replaced (lower to upper)



- Ball bearing rollers with long service life and bottom tilt function for easy maintenance



- Robust profile and improved details



- Multifunctional towel holder on fixed glass of PXD2N

### PXD2N (2-sectional sliding door)

type	ordering No.	installation width (y)	height (h)	entrance size (c)	profile	glass	delivery method	Price
PXD2N/1200	526-1200000-00-02	1180-1230	2000	450	brillant	transparent	S	330 €
PXD2N/1200	526-1200000-00-15	1180-1230	2000	450	brillant	satinato	O	464 €
PXD2N/1300	526-1300000-00-02	1280-1330	2000	500	brillant	transparent	S	358 €
PXD2N/1300	526-1300000-00-15	1280-1330	2000	500	brillant	satinato	O	496 €
PXD2N/1400	526-1400000-00-02	1380-1430	2000	550	brillant	transparent	S	386 €
PXD2N/1400	526-1400000-00-15	1380-1430	2000	550	brillant	satinato	O	528 €
PXD2N/1500	526-1500000-00-02	1480-1530	2000	600	brillant	transparent	S	414 €
PXD2N/1500	526-1500000-00-15	1480-1530	2000	600	brillant	satinato	O	560 €
PXD2N/1600	526-1600000-00-02	1580-1630	2000	650	brillant	transparent	S	442 €
PXD2N/1600	526-1600000-00-15	1580-1630	2000	650	brillant	satinato	O	592 €

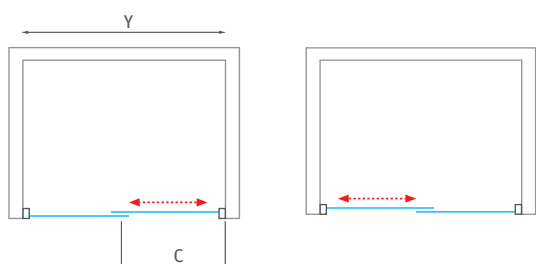
### PXD2N (atypical customized solution)

type	width (y)	height (h)	profile	glass	delivery method
PXD2N	up to 1600 mm	up to 2000 mm	brillant	transparent	Z
PXD2N	up to 1600 mm	up to 2000 mm	brillant	satinato	Z



Nominal sizes of shower enclosures are designed for INSTALLATION ON THE TRAY and they are always assembled with indentation from the edge of the tray. With INSTALLATION ON THE TILES there is a risk, that the size of shower enclosure will be smaller than measured width of the tiles. It is necessary to follow the size charts on "TECHNICAL SPECIFICATION" pages at the end of our catalogue (p. 261-283).

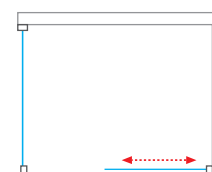
- PXD2N - universal LEFT and RIGHT solution



- PXD2N + PXBN



- PXBN + PXD2N



**Limaya Line**  
easy to be



QUADRANT



CORNER



NICHE



The background of the entire page is a close-up photograph of a person's arm and shoulder being showered with water. The water is captured in motion, creating a spray effect. The person's skin is wet and glistening with water droplets. The lighting is soft and natural, highlighting the texture of the water and the skin.

A completely new semi-framed line  
with lifting mechanism  
represents a new generation  
of shower enclosures.

# Limaya Line

just one door type for all combinations  
of your shower area  
square or rectangular shower enclosure  
with double opening doors  
square or rectangular shower enclosure  
with single opening door and side panel  
single opening shower door for niche installation

■ high quality lifting mechanism

■ easy entrance thanks to a both-  
way opening - in and out

■ standard height 1 950 mm

# Limaya Line

easy to be

comfortable and convenient  
space for entry

## LYR4

quadrant shower enclosure  
with a double-door opening

- quality lifting mechanism
- easy entrance thanks to a both-way opening - in and out
- standard height 1 950 mm



5 mm ESG Tempered glass  
**Transparent**



Profile colour  
**Brilliant**



- Polished aluminium handle



- Profile with quality lifting mechanism for easy opening

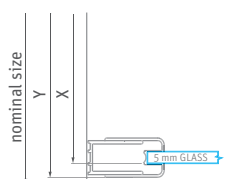
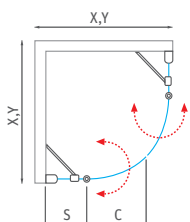


- Flexible support bar allows the setting of different angles and can solve the wall inaccuracies

### LYR4 (quadrant shower enclosure with a double-door opening)

type	ordering No.	installation width (y)	height (h)	door width (c)	fixed part width (s)	profile	glass	delivery method	Price
LYR4/800	1135008265	767-792	1959*	395	243-268	brilliant	transparent	S	540 €
LYR4/900	1135008267	867-892	1959*	395	343-368	brilliant	transparent	S	568 €
LYR4/1000	1135008269	967-992	1959*	395	443-468	brilliant	transparent	S	598 €

R - standard radius R550, h\* - height including supporting elements



Nominal sizes of shower enclosures are designed for **INSTALLATION ON THE TRAY** and they are always assembled with indentation from the edge of the tray. With **INSTALLATION ON THE TILES** there is a risk, that the size of shower enclosure will be smaller than measured width of the tiles. It is necessary to follow the size charts on "TECHNICAL SPECIFICATION" pages at the end of our catalogue (p. 261-283).



The timeless design of the **Limaya Line** series is the right for your modern bathroom. Polished aluminum profiles lining the vertical line of the shower enclosure complete the overall feeling of freedom and determination.



■ LYR4

# Limaya Line

easy to be

maximum tightness  
and pure design



## LYP2

double shower door  
for installation to a niche

- standard door dimensions from 800 to 1 200 mm
- quality lifting mechanism
- both-way opening - in and out



5 mm ESG Tempered glass  
**Transparent**



Profile colour  
**Brillant**



### LYP2 (double shower door for a niche)

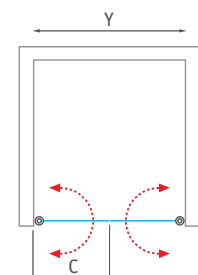
type	ordering No.	installation width (y)	height (h)	door width (c)	profile	glass	delivery method	Price
LYP2/800	1135008220	760-810	1958*	320	brillant	transparent	S	411 €
LYP2/900	1135008222	860-910	1958*	375	brillant	transparent	S	436 €
LYP2/1000	1135008224	960-1010	1958*	425	brillant	transparent	S	460 €
LYP2/1100	1135009844	1060-1110	1958*	475	brillant	transparent	S	484 €
LYP2/1200	1135008226	1160-1210	1958*	525	brillant	transparent	S	509 €

h\* - height including supporting elements

### LYP2 (atypical customized solution)

type	width (y)	height (h)	profile	glass	delivery method
LYP2	up to 1500 mm	up to 1950 mm	brillant	transparent	Z

#### ■ LYP2



Nominal sizes of shower enclosures are designed for INSTALLATION ON THE TRAY and they are always assembled with indentation from the edge of the tray. With INSTALLATION ON THE TILES there is a risk, that the size of shower enclosure will be smaller than measured width of the tiles. It is necessary to follow the size charts on "TECHNICAL SPECIFICATION" pages at the end of our catalogue (p. 261-283).

easy operating  
both-sided opening doors



## LYP2 + LYSW1AP2

square or rectangular shower enclosure  
with a side panel LYSW1AP2

- easy to assembly wall profile
- the possibility of creating a U-shaped shower enclosure by a combination of the door and two side panels
- protection of glass against limescale by a special treatment RothETC



5 mm ESG Tempered glass  
**Transparent**



Profile colour  
**Brillant**

### LYSW1AP2 (side panel to shower door LYP2)

type	ordering No.	installation width (y)	height (h)	door width (c)	profile	glass	delivery method	Price
LYSW1AP2/750	1135009971	735-760	1970*	-	brillant	transparent	0	258 €
LYSW1AP2/800	1135009972	785-810	1970*	-	brillant	transparent	0	262 €
LYSW1AP2/900	1135009973	885-910	1970*	-	brillant	transparent	0	278 €
LYSW1AP2/1000	1135009974	985-1010	1970*	-	brillant	transparent	0	293 €

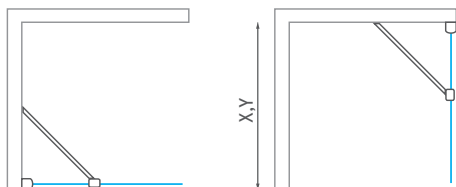
h\* - height including supporting elements



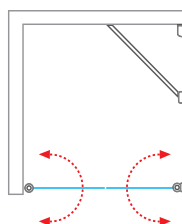
### LYSW1AP2 (atypical customized solution)

type	width (y)	height (h)	profile	glass	delivery method
LYSW1AP2	do 1000 mm	do 1950 mm	brillant	transparent	Z

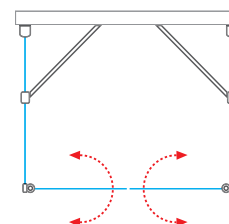
- LYSW1AP2 - universal LEFT and RIGHT solution support bar length 650 mm



- LYP2 + LYSW1AP2



- LYSW1AP2 + LYP2 + LYSW1AP2



# Limaya Line

easy to be

## LYE4

single opening door with a fixed part



5 mm ESG Tempered glass  
**Transparent**



Profile colour  
**Brillant**



■ Opening mechanism with effective seal



■ Lifting profile ensures easy door operation



■ Flexible support bar allows the setting of different angles and can solve the wall inaccuracies

### LYE4 (single shower door)

type	ordering No.	installation width (y)	height (h)	door width (c)	fixed part width (s)	profile	glass	delivery method	Price
LYE4/800	1135008253	767-792	1959*	510	243-268	brillant	transparent	S	340 €
LYE4/900	1135008255	867-892	1959*	510	343-368	brillant	transparent	S	360 €
LYE4/1000	1135008257	967-992	1959*	510	443-468	brillant	transparent	S	380 €
LYE4/1100	1135009845	1067-1092	1959*	610	443-468	brillant	transparent	S	400 €
LYE4/1200	1135008259	1167-1192	1959*	710	443-468	brillant	transparent	S	420 €

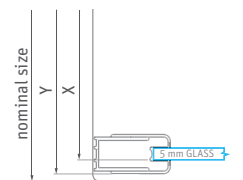
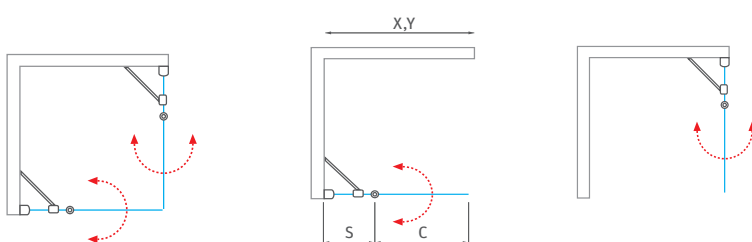
h\* - height including supporting elements

### LYE4 (atypical customized solution)

type	width (y)	height (h)	profile	glass	delivery method
LYE4	up to 1200 mm	up to 1950 mm	brillant	transparent	Z

■ LYE4 + LYE4

■ LYE4 - universal LEFT and RIGHT solution



Nominal sizes of shower enclosures are designed for **INSTALLATION ON THE TRAY** and they are always assembled with indentation from the edge of the tray. With **INSTALLATION ON THE TILES** there is a risk, that the size of shower enclosure will be smaller than measured width of the tiles. It is necessary to follow the size charts on "TECHNICAL SPECIFICATION" pages at the end of our catalogue (p. 261-283).



Attractive design with elements of elegance, this is the **Limaya Line** series of shower enclosures. Quality lifting system enabling both-way door opening.



■ LYE4 + LYE4

# Limaya Line

easy to be

flexible support bar solves wall inaccuracies



## LYE4 + LYSW1S

square or rectangular shower enclosure with a single opening door and a side panel LYSW1S

- easy assembly wall profile
- flexible support bar allows the setting of different angles and can solve the wall inaccuracies
- quality seals for a great result



5 mm ESG Tempered glass  
**Transparent**



Profile colour  
**Brillant**



### LYSW1S (side panel to shower door LYE4)

type	ordering No.	installation width (y)	height (h)	door width (c)	profile	glass	delivery method	Price
LYSW1S/800	1135008232	767-792	1949*	-	brillant	transparent	S	218 €
LYSW1S/900	1135008234	867-892	1949*	-	brillant	transparent	S	230 €
LYSW1S/1000	1135008236	967-992	1949*	-	brillant	transparent	S	242 €

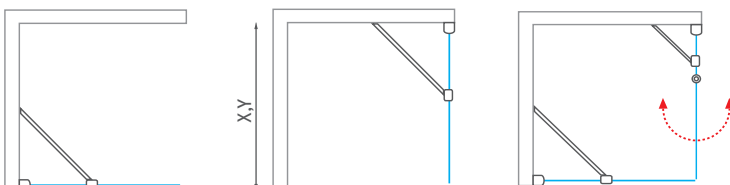
h\* - height including supporting elements

### LYSW1S (atypical customized solution)

type	width (y)	height (h)	profile	glass	delivery method
LYSW1S	up to 1000 mm	up to 1950 mm	brillant	transparent	Z

■ LYSW1S - universal LEFT and RIGHT solution

■ LYSW1S+ LYE4



Nominal sizes of shower enclosures are designed for INSTALLATION ON THE TRAY and they are always assembled with indentation from the edge of the tray. With INSTALLATION ON THE TILES there is a risk, that the size of shower enclosure will be smaller than measured width of the tiles. It is necessary to follow the size charts on "TECHNICAL SPECIFICATION" pages at the end of our catalogue (p. 261-283).



practical solution  
for every bathroom



## LYE4 + LZ

single opening door for niche installation

- quality aluminium profile for niche installation
- set of profiles increases the door installation width up by 10-25 mm
- we recommend consulting an expert



5 mm ESG Tempered glass  
**Transparent**



Profile colour  
**Brillant**



### LZ (set of profiles)

type	ordering No.	installation width (y)	height (h)	door width (c)	profile	glass	delivery method	Price
LZ	229-1940025-00	25-35	1941	-	brillant	-	S	60 €

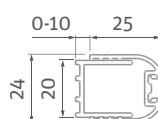
h\* - height including supporting elements

### LZ (atypical customized solution)

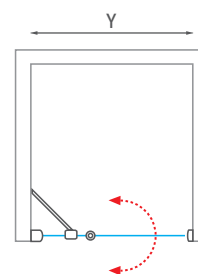
type	width (y)	height (h)	profile	glass	delivery method
LZ	-	up to 1950 mm	brillant	-	Z

installation for a niche	installation width (Y)
LYE4/800 + LZ	780-815
LYE4/900 + LZ	880-915
LYE4/1000 + LZ	980-1015
LYE4/1100 + LZ	1080-1115
LYE4/1200 + LZ	1180-1215

■ LZ- set of profiles



■ LYE4 + LZ



Nominal sizes of shower enclosures are designed for **INSTALLATION ON THE TRAY** and they are always assembled with indentation from the edge of the tray. With **INSTALLATION ON THE TILES** there is a risk, that the size of shower enclosure will be smaller than measured width of the tiles. It is necessary to follow the size charts on "TECHNICAL SPECIFICATION" pages at the end of our catalogue (p. 261-283).

**Limaya Line**  
easy to be

simplicity  
and variability

**LYE2**

single opening door

5 mm ESG Tempered glass  
**Transparent**



Profile colour  
**Brillant**



# one type of door for all combinations

- corner entry with a double door opening
- single opening door with a side panel
- single opening door for a niche installation
- easy entrance thanks to a both-way opening - in and out
- standard height 1 950 mm



■ Quality lifting profile for easy opening



■ Tempered glass 5 mm with bottom seal



■ Slim door handle underlining the whole concept of this series

## LYE2 (single shower door)

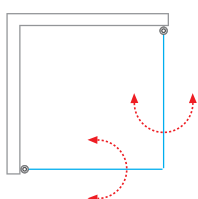
type	ordering No.	installation width (y)	height (h)	door width (c)	profile	glass	delivery method	Price
LYE2/800	1135008242	767-792	1958*	690	brillant	transparent	S	269 €
LYE2/900	1135008244	867-892	1958*	790	brillant	transparent	S	278 €
LYE2/1000	1135008246	967-992	1958*	890	brillant	transparent	S	284 €

h\* - height including supporting elements

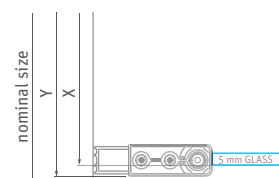
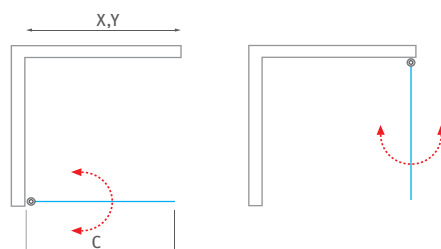
## LYE2 (atypical customized solution)

type	width (y)	height (h)	profile	glass	delivery method
LYE2	up to 1000 mm	up to 1950 mm	brillant	transparent	Z

### ■ LYE2 + LYE2



### ■ LYE2 - universal LEFT and RIGHT solution



**!** Nominal sizes of shower enclosures are designed for **INSTALLATION ON THE TRAY** and they are always assembled with indentation from the edge of the tray. With **INSTALLATION ON THE TILES** there is a risk, that the size of shower enclosure will be smaller than measured width of the tiles. It is necessary to follow the size charts on "TECHNICAL SPECIFICATION" pages at the end of our catalogue (p. 261-283).

# Limaya Line

easy to be

pure design line  
without compromise



## LYE2 + LYSW1S

square or rectangular shower enclosure  
with a single opening door and a side panel LYSW1S

- easy assembly wall profile
- single opening door with a side panel
- simplicity of the whole assembly



5 mm ESG Tempered glass  
**Transparent**



Profile colour  
**Brillant**



### LYSW1S (side panel to shower door LYE2)

type	ordering No.	installation width (y)	height (h)	door width (c)	profile	glass	delivery method	Price
LYSW1S/800	1135008232	767-792	1949*	-	brillant	transparent	S	218 €
LYSW1S/900	1135008234	867-892	1949*	-	brillant	transparent	S	230 €
LYSW1S/1000	1135008236	967-992	1949*	-	brillant	transparent	S	242 €

h\* - height including supporting elements

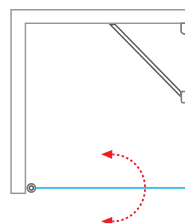
### LYSW1S (atypical customized solution)

type	width (y)	height (h)	profile	glass	delivery method
LYSW1S	up to 1000 mm	up to 1950 mm	brillant	transparent	Z

■ LYSW1S - universal LEFT and RIGHT solution



■ LYE2 + LYSW1S



Nominal sizes of shower enclosures are designed for INSTALLATION ON THE TRAY and they are always assembled with indentation from the edge of the tray. With INSTALLATION ON THE TILES there is a risk, that the size of shower enclosure will be smaller than measured width of the tiles. It is necessary to follow the size charts on "TECHNICAL SPECIFICATION" pages at the end of our catalogue (p. 261-283).

# practical solution of the wall inaccuracies



## LYE2 + LZ

single opening door for niche installation

- set of profiles can solve the wall inaccuracies
- we recommend consulting an expert
- set of profiles increases the door installation width up by 10-25 mm



5 mm ESG Tempered glass  
**Transparent**



Profile colour  
**Brillant**



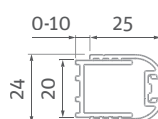
LZ (set of profiles)								
type	ordering No.	installation width (y)	height (h)	door width (c)	profile	glass	delivery method	Price
LZ	229-1940025-00	25-35	1941	-	brillant	-	S	60 €

h\* - height including supporting elements

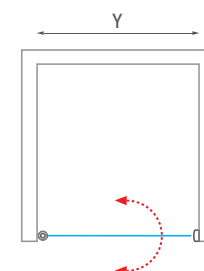
LZ (atypical customized solution)					
type	width (y)	height (h)	profile	glass	delivery method
LZ	-	up to 1950 mm	brillant	-	Z

installation for niche	installation width (Y)
LYE2/800 + LZ	780-815
LYE2/900 + LZ	880-915
LYE2/1000 + LZ	980-1015

■ LZ- set of profiles



■ LYE2 + LZ



Nominal sizes of shower enclosures are designed for INSTALLATION ON THE TRAY and they are always assembled with indentation from the edge of the tray. With INSTALLATION ON THE TILES there is a risk, that the size of shower enclosure will be smaller than measured width of the tiles. It is necessary to follow the size charts on "TECHNICAL SPECIFICATION" pages at the end of our catalogue (p. 261-283).

**Lega Line**  
comfort within reach

# Lega Line

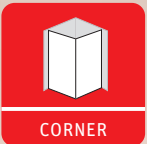
Affordable solution for those, who prefer price-performance ratio in their lives...

New generation of enclosures practically combining 4 and 5 mm safety glass with focus on customer comfort during the usage. This complete line offers a practical solution for the standard models as well as large area showers which are more and more popular. Simplicity, durability and excellent price-performance ratio determines this line to become a new star in your bathroom.

- universal pivot mechanism allows inside and outside opening
- durable double rollers on the top assure smooth motion of the door
- the design handle matches the appearance of the fittings



QUADRANT



CORNER



NICHE

# Lega Line

comfort within reach

safety glass  
in solid frame

## LLR2

quadrant shower enclosure  
with two sliding doors

5 + 4 mm ESG Tempered glass  
**Transparent 02 / Grape 11**  
5 mm door glass + 4 mm fixed glass



Profile colour  
**Brillant 00 / White 04**





possibility to order a pre-assembled version for easy installation



- combination of 4 and 5 mm safety glass with RothETC surface treatment
- standard height 1900 mm



■ The best-selling **LLR2** model now also in a **white profile** and with the popular **Grape glass**

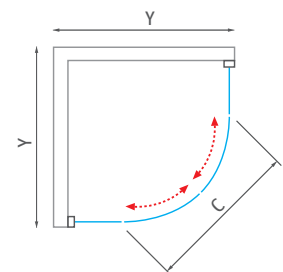
■ Durable double top and bottom rollers

■ LEGA series handle design

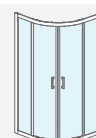
### LLR2 (quadrant shower enclosure with two sliding doors)

type	ordering No.	installation width (y)	height (h)	entrance size (c)	profile	glass	delivery method	Price
LLR2/800	555-8000000-04-02	776-798	1900	410	white	transparent	S	358 €
LLR2/800	555-8000000-04-11	776-798	1900	410	white	grape	S	370 €
LLR2/800	555-8000000-00-02	776-798	1900	410	brillant	transparent	S	362 €
LLR2/800	555-8000000-00-11	776-798	1900	410	brillant	grape	S	368 €
LLR2/900	555-9000000-04-02	876-898	1900	560	white	transparent	S	364 €
LLR2/900	555-9000000-04-11	876-898	1900	560	white	grape	S	382 €
LLR2/900	555-9000000-00-02	876-898	1900	560	brillant	transparent	S	378 €
LLR2/900	555-9000000-00-11	876-898	1900	560	brillant	grape	S	386 €
<b>LLR2 in EASY ASSEMBLY version</b>								
LLR2/800 *	555-8000005-04-02	776-798	1900	410	white	transparent	S	390 €
LLR2/800 *	555-8000005-04-11	776-798	1900	410	white	grape	S	402 €
LLR2/800 *	555-8000005-00-02	776-798	1900	410	brillant	transparent	S	394 €
LLR2/800 *	555-8000005-00-11	776-798	1900	410	brillant	grape	S	400 €
LLR2/900 *	555-9000005-04-02	876-898	1900	560	white	transparent	S	396 €
LLR2/900 *	555-9000005-04-11	876-898	1900	560	white	grape	S	414 €
LLR2/900 *	555-9000005-00-02	876-898	1900	560	brillant	transparent	S	410 €
LLR2/900 *	555-9000005-00-11	876-898	1900	560	brillant	grape	S	418 €

R - standard radius R550



**!** Nominal sizes of shower enclosures are designed for **INSTALLATION ON THE TRAY** and they are always assembled with indentation from the edge of the tray. With **INSTALLATION ON THE TILES** there is a risk, that the size of shower enclosure will be smaller than measured width of the tiles. It is necessary to follow the size charts on "TECHNICAL SPECIFICATION" pages at the end of our catalogue (p. 261-283).



#### EASY ASSEMBLY \*

Product comes in a pre-assembled version. Just joint the left and right parts, screw to the wall, adjust and seal.

# Lega Line

comfort within reach

## LLS2

square or rectangular shower enclosure  
solution with practical corner entry



5 + 4 mm ESG Tempered glass  
**Transparent 02 / Intimglass 21**  
5 mm door glass + 4 mm fixed glass



Profile colour  
**Brillant 00**



- Durable double top and bottom rollers for smooth door movement and bottom tilt function for easy maintenance
- LEGA series handle design

### LLS2 (shower enclosure with two sliding doors)

type	ordering No.	installation width (y)	height (h)	entrance size (c)	profile	glass	delivery method	Price
LLS2/800 *	554-8000000-00-02	775-790	1900	430	brillant	transparent	S	330 €
LLS2/800 *	554-8000000-00-21	775-790	1900	430	brillant	intimglass	O	450 €
LLS2/900 *	554-9000000-00-02	875-890	1900	460	brillant	transparent	S	346 €
LLS2/900 *	554-9000000-00-21	875-890	1900	460	brillant	intimglass	O	466 €
LLS2/1000×800	554-1008000-00-02	(975-990)×(775-790)	1900	505	brillant	transparent	S	362 €
LLS2/1000×800	554-1008000-00-21	(975-990)×(775-790)	1900	505	brillant	intimglass	O	482 €
LLS2/1200×800	554-1208000-00-02	(1175-1190)×(775-790)	1900	525	brillant	transparent	O	378 €
LLS2/1200×800	554-1208000-00-21	(1175-1190)×(775-790)	1900	525	brillant	intimglass	O	498 €
LLS2/1200×900	554-1209000-00-02	(1175-1190)×(875-890)	1900	535	brillant	transparent	S	396 €
LLS2/1200×900	554-1209000-00-21	(1175-1190)×(875-890)	1900	535	brillant	intimglass	O	516 €

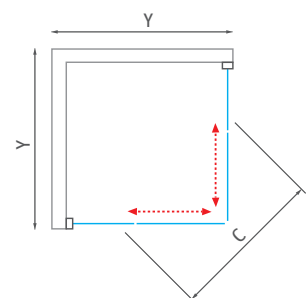
### LLS2 (atypical customized solution)

type	width (y)	height (h)	profile	glass	delivery method
LLS2	up to 1200 mm	up to 1900 mm	brillant	transparent	Z
LLS2	up to 1200 mm	up to 1900 mm	brillant	intimglass	Z



#### EASY ASSEMBLY \*

Product comes in a pre-assembled version. Just joint the left and right parts, screw to the wall, adjust and seal.





With special attention paid to the balance between the look and functionality of every detail, the **Lega Line** is ready to take its place in any modern bathroom.



# Lega Line

comfort within reach

RothETC glass surface treatment



## LLD01

single opening shower door for niche installation  
or for combination with side panel LLB



5 mm ESG Tempered glass  
**Transparent 02 / Intinglass 21**



Profile colour  
**Brillant 00**



### LLD01 (single shower door)

type	ordering No.	installation width (y)	height (h)	entrance size (c)	profile	glass	delivery method	Price
LLD01/700 *	551-7000000-00-02	675-705	1900	460	brillant	transparent	S	193 €
LLD01/700 *	551-7000000-00-21	675-705	1900	460	brillant	intinglass	O	238 €
LLD01/800 *	551-8000000-00-02	775-805	1900	560	brillant	transparent	S	216 €
LLD01/800 *	551-8000000-00-21	775-805	1900	560	brillant	intinglass	O	260 €
LLD01/900 *	551-9000000-00-02	875-905	1900	660	brillant	transparent	S	238 €
LLD01/900 *	551-9000000-00-21	875-905	1900	660	brillant	intinglass	O	282 €
LLD01/1000 *	551-1000000-00-02	975-1005	1900	760	brillant	transparent	S	260 €
LLD01/1000 *	551-1000000-00-21	975-1005	1900	760	brillant	intinglass	O	304 €

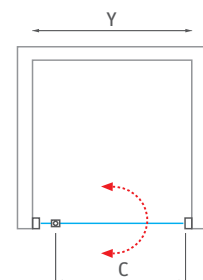
### LLD01 (atypical customized solution)

type	width (y)	height (h)	profile	glass	delivery method
LLD01	up to 1000 mm	up to 1900 mm	brillant	transparent	Z
LLD01	up to 1000 mm	up to 1900 mm	brillant	intinglass	Z



#### EASY ASSEMBLY \*

Products LLD01 and LLD2 come in a pre-assembled version. Just screw to the wall, adjust and seal.



# universal pivot mechanism for opening inside and outside



## LLD02

double shower door for niche installation  
or for combination with side panel LLB



5 mm ESG Tempered glass  
Transparent 02 / Intimglass 21



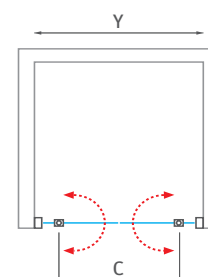
Profile colour  
Brillant 00



LLD02 (double shower door for a niche)								
type	ordering No.	installation width (y)	height (h)	door width (c)	profile	glass	delivery method	Price
LLD02/700 *	552-7000000-00-02	672-704	1900	475	brillant	transparent	S	267 €
LLD02/700 *	552-7000000-00-21	672-704	1900	475	brillant	intimglass	O	302 €
LLD02/800 *	552-8000000-00-02	772-804	1900	575	brillant	transparent	S	280 €
LLD02/800 *	552-8000000-00-21	772-804	1900	575	brillant	intimglass	O	316 €
LLD02/900 *	552-9000000-00-02	872-904	1900	675	brillant	transparent	S	293 €
LLD02/900 *	552-9000000-00-21	872-904	1900	675	brillant	intimglass	O	329 €
LLD02/1000 *	552-1000000-00-02	972-1004	1900	775	brillant	transparent	O	307 €
LLD02/1000 *	552-1000000-00-21	972-1004	1900	775	brillant	intimglass	O	342 €

### LLD02 (atypical customized solution)

type	width (y)	height (h)	profile	glass	delivery method
LLD02	up to 1200 mm	up to 1900 mm	brillant	transparent	Z
LLD02	up to 1200 mm	up to 1900 mm	brillant	intimglass	Z



Nominal sizes of shower enclosures are designed for INSTALLATION ON THE TRAY and they are always assembled with indentation from the edge of the tray. With INSTALLATION ON THE TILES there is a risk, that the size of shower enclosure will be smaller than measured width of the tiles. It is necessary to follow the size charts on "TECHNICAL SPECIFICATION" pages at the end of our catalogue (p. 261-283).

# Lega Line

comfort within reach

timeless solution  
with a decent look



## LLB

fixed side panel for combination with shower door  
LLD01, LLD02, LLD2 and LLD4

- Brillant aluminium profile
- 5-year extended warranty
- tempered safety glass



5 mm ESG Tempered glass  
Transparent O2 / Intimglass 21



Profile colour  
Brillant OO

### LLB (side panel to LLD01, LLD02, LLD2 or LLD4)

type	ordering No.	installation width (y)	height (h)	profile	glass	delivery method	Price
LLB/700 *	553-7000000-00-02	679-705	1900	brillant	transparent	S	129 €
LLB/700 *	553-7000000-00-21	679-705	1900	brillant	intimglass	O	164 €
LLB/750 *	553-7500000-00-02	729-755	1900	brillant	transparent	S	138 €
LLB/750 *	553-7500000-00-21	729-755	1900	brillant	intimglass	O	173 €
LLB/800 *	553-8000000-00-02	779-805	1900	brillant	transparent	S	151 €
LLB/800 *	553-8000000-00-21	779-805	1900	brillant	intimglass	O	187 €
LLB/900 *	553-9000000-00-02	879-905	1900	brillant	transparent	S	164 €
LLB/900 *	553-9000000-00-21	879-905	1900	brillant	intimglass	O	200 €
LLB/1000 *	553-1000000-00-02	979-1005	1900	brillant	transparent	S	178 €
LLB/1000 *	553-1000000-00-21	979-1005	1900	brillant	intimglass	O	236 €

\* LLB cannot be used as a self-standing side panel

### LLB (atypical customized solution)

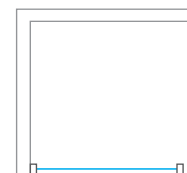
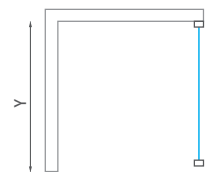
type	width (y)	height (h)	profile	glass	delivery method
LLB	up to 1000 mm	up to 1900 mm	brillant	transparent	Z
LLB	up to 1000 mm	up to 1900 mm	brillant	intimglass	Z



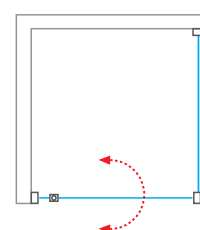
#### EASY ASSEMBLY \*

Products of Lega Line come in a pre-assembled version. Just screw to the wall, adjust and seal.

■ LLB - universal LEFT and RIGHT solution

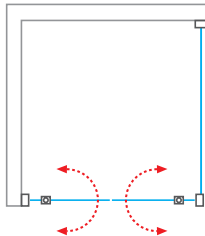


■ LLD01 + LLB



combinations of doors  
with a side panel LLB

■ LLD02 + LLB



■ LLD2 + LLB



■ LLD4 + LLB



# Lega Line

comfort within reach

durable rollers  
with bottom tilt function



## LLD2

sliding shower door for niche installation  
or for combination with a side panel LLB

- RothETC glass surface treatment for easy maintenance
- double rollers
- 5-year extended warranty
- possibility of choosing the glass in Intimglass design



5 + 4 mm ESG Tempered glass  
**Transparent O2 / Intimglass 21**  
5 mm door glass + 4 mm fixed panel



Profile colour  
**Brillant OO**

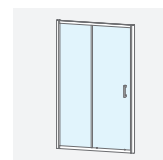
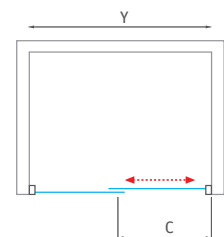
### LLD2 (sliding shower door)

type	ordering No.	installation width (y)	height (h)	entrance size (c)	profile	glass	delivery method	Price
LLD2/1000 *	556-1000000-00-02	970-1005	1900	385	brillant	transparent	S	262 €
LLD2/1000 *	556-1000000-00-21	970-1005	1900	385	brillant	intimglass	O	347 €
LLD2/1200 *	556-1200000-00-02	1170-1205	1900	485	brillant	transparent	S	293 €
LLD2/1200 *	556-1200000-00-21	1170-1205	1900	485	brillant	intimglass	O	378 €
LLD2/1300 *	556-1300000-00-02	1270-1305	1900	535	brillant	transparent	S	287 €
LLD2/1400 *	556-1400000-00-02	1370-1405	1900	585	brillant	transparent	S	302 €
LLD2/1400 *	556-1400000-00-21	1370-1405	1900	585	brillant	intimglass	O	387 €
LLD2/1500 *	556-1500000-00-02	1470-1505	1900	635	brillant	transparent	O	318 €
LLD2/1600 *	556-1600000-00-02	1570-1605	1900	685	brillant	transparent	S	333 €
LLD2/1600 *	556-1600000-00-21	1570-1605	1900	685	brillant	intimglass	O	418 €

### LLD2 (atypical customized solution)

type	width (y)	height (h)	profile	glass	delivery method
LLD2	up to 1800 mm	up to 1900 mm	brillant	transparent	Z
LLD2	up to 1800 mm	up to 1900 mm	brillant	intimglass	Z

- **LLD2**  
universal LEFT and RIGHT solution



### EASY ASSEMBLY \*

Product LLD2 comes in a pre-assembled version. Just screw to the wall, adjust and seal.



practical solution  
for large format showers



## LLD4

sliding shower door for niche installation  
or for combination with a side panel LLB

- four-part shower door
- RothETC glass surface treatment
- great price-performance ratio
- Intinglass design available in atypical solution only



5 + 4 mm ESG Tempered glass  
**Transparent O2**  
5 mm door glass + 4 mm fixed panel



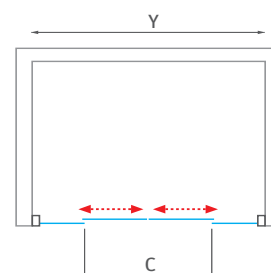
Profile colour  
**Brillant OO**

### LLD4 (four-part sliding shower door)

type	ordering No.	installation width (y)	height (h)	entrance size (c)	profile	glass	delivery method	Price
LLD4/1100	574-1100000-00-02	1080-1110	1900	420	brillant	transparent	S	356 €
LLD4/1200	574-1200000-00-02	1180-1210	1900	470	brillant	transparent	S	376 €
LLD4/1300	574-1300000-00-02	1280-1310	1900	520	brillant	transparent	S	396 €
LLD4/1400	574-1400000-00-02	1380-1410	1900	570	brillant	transparent	S	416 €
LLD4/1500	574-1500000-00-02	1480-1510	1900	620	brillant	transparent	S	436 €
LLD4/1600	574-1600000-00-02	1580-1610	1900	670	brillant	transparent	S	456 €

### LLD4 (atypical customized solution)

type	width (y)	height (h)	profile	glass	delivery method
LLD4	up to 2000 mm	up to 1900 mm	brillant	transparent	Z
LLD4	up to 2000 mm	up to 1900 mm	brillant	intinglass	Z



Nominal sizes of shower enclosures are designed for INSTALLATION ON THE TRAY and they are always assembled with indentation from the edge of the tray. With INSTALLATION ON THE TILES there is a risk, that the size of shower enclosure will be smaller than measured width of the tiles. It is necessary to follow the size charts on "TECHNICAL SPECIFICATION" pages at the end of our catalogue (p. 261-283).

# Lega Line

comfort within reach

both-side sliding  
door entrance

## PD3N

sliding shower door with both side entrance  
for niche installation

4 mm ESG Tempered glass  
**Transparent 02 / Grape 11**  
Polystyrol **Rugiada 16**



Profile colour  
**Brillant 00 / White 04**



## EASY ASSEMBLY version for quick moutnage

- magnetic seals closure in the same colour as the profiles
- standard height 1900 mm
- robust aluminium frame



### EASY ASSEMBLY

Product PD3N comes in a pre-assembled version. Just screw to the wall, adjust and seal.

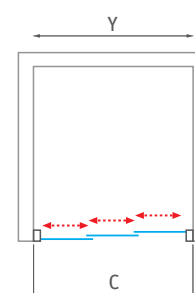


- Bottom tilting for easy maintenance of the shower door

- Both-side sliding door opening

### PD3N (sliding shower door with a both-sided entrance)

type	ordering No.	installation width (y)	height (h)	entrance size (c)	profile	glass	delivery method	Price
PD3N/800	413-8000000-04-02	750-805	1900	375	white	transparent	S	302 €
PD3N/800	413-8000000-04-11	750-805	1900	375	white	grape	S	334 €
PD3N/800	413-8000000-04-16	750-805	1900	375	white	rugiada	S	300 €
PD3N/800	413-8000000-00-02	750-805	1900	375	brillant	transparent	S	340 €
PD3N/800	413-8000000-00-11	750-805	1900	375	brillant	grape	S	348 €
PD3N/900	413-9000000-04-02	850-905	1900	440	white	transparent	S	320 €
PD3N/900	413-9000000-04-11	850-905	1900	440	white	grape	S	340 €
PD3N/900	413-9000000-04-16	850-905	1900	440	white	rugiada	S	322 €
PD3N/900	413-9000000-00-02	850-905	1900	440	brillant	transparent	S	346 €
PD3N/900	413-9000000-00-11	850-905	1900	440	brillant	grape	S	360 €
PD3N/1000	413-1000000-04-02	950-1005	1900	505	white	transparent	S	338 €
PD3N/1000	413-1000000-04-11	950-1005	1900	505	white	grape	S	346 €
PD3N/1000	413-1000000-04-16	950-1005	1900	505	white	rugiada	S	344 €
PD3N/1000	413-1000000-00-02	950-1005	1900	505	brillant	transparent	S	352 €
PD3N/1000	413-1000000-00-11	950-1005	1900	505	brillant	grape	S	372 €



### PD3N (atypical customized solution)

type	width (y)	height (h)	profile	glass	delivery method
PD3N	up to 1200 mm	up to 2000 mm	white / brillant	transparent	Z
PD3N	up to 1200 mm	up to 2000 mm	white / brillant	grape	Z
PD3N	up to 1200 mm	up to 2000 mm	white	rugiada	Z
PD3N	up to 1200 mm	up to 2000 mm	white / brillant	rauch	Z
PD3N	up to 1200 mm	up to 2000 mm	white / brillant	satinato	Z



Nominal sizes of shower enclosures are designed for **INSTALLATION ON THE TRAY** and they are always assembled with indentation from the edge of the tray. With **INSTALLATION ON THE TILES** there is a risk, that the size of shower enclosure will be smaller than measured width of the tiles. It is necessary to follow the size charts on "TECHNICAL SPECIFICATION" pages at the end of our catalogue (p. 261-283).

# Lega Line

comfort within reach

wide choice  
of glass panels

## LLBD

side panel  
to sliding shower door PD3N

4 mm ESG Tempered glass  
Transparent 02 / Grape 11



Profile colour  
Brillant 00 / White 04



# universal left and right solution

- standard dimensions of side panel from 700 to 1 000 mm
- universal left and right solution
- wide choice of glass panel types

## LLBD (side panel to PD3N)

type	ordering No.	installation width (y)	height (h)	profile	glass	delivery method	Price
LLBD/700	412-7000000-04-02	675-695	1900	white	transparent	S	118 €
LLBD/700	412-7000000-04-11	675-690	1900	white	grape	S	147 €
LLBD/700	412-7000000-00-02	675-695	1900	brillant	transparent	S	124 €
LLBD/700	412-7000000-00-11	675-690	1900	brillant	grape	S	151 €
LLBD/750	412-7500000-04-02	725-745	1900	white	transparent	S	151 €
LLBD/750	412-7500000-04-11	725-745	1900	white	grape	S	167 €
LLBD/750	412-7500000-00-02	725-745	1900	brillant	transparent	S	147 €
LLBD/750	412-7500000-00-11	725-745	1900	brillant	grape	S	172 €
LLBD/800	412-8000000-04-02	775-795	1900	white	transparent	S	146 €
LLBD/800	412-8000000-04-11	775-795	1900	white	grape	S	172 €
LLBD/800	412-8000000-00-02	775-795	1900	brillant	transparent	S	152 €
LLBD/800	412-8000000-00-11	775-795	1900	brillant	grape	S	176 €
LLBD/900	412-9000000-04-02	875-895	1900	white	transparent	S	166 €
LLBD/900	412-9000000-04-11	875-895	1900	white	grape	S	192 €
LLBD/900	412-9000000-00-02	875-895	1900	brillant	transparent	S	172 €
LLBD/900	412-9000000-00-11	875-895	1900	brillant	grape	S	196 €
LLBD/1000	412-1000000-04-02	975-995	1900	white	transparent	S	212 €
LLBD/1000	412-1000000-04-11	975-995	1900	white	grape	S	210 €
LLBD/1000	412-1000000-00-02	975-995	1900	brillant	transparent	S	192 €
LLBD/1000	412-1000000-00-11	975-995	1900	brillant	grape	S	216 €

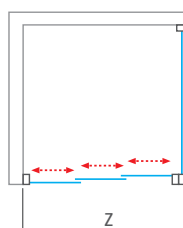
\* LLBD cannot be used as a self-standing side panel

## LLBD (atypical customized solution)

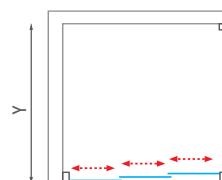
type	width (y)	height (h)	profile	glass	delivery method
LLBD	up to 1000 mm	up to 1900 mm	white / brillant	transparent	Z
LLBD	up to 1000 mm	up to 1900 mm	white / brillant	grape	Z
LLBD	up to 1000 mm	up to 1900 mm	white / brillant	rauch	Z
LLBD	up to 1000 mm	up to 1900 mm	white / brillant	satinato	Z

- installation width of PD3N in combination with side panel LLBD

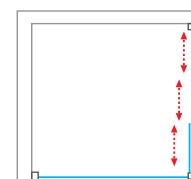
type	installation width (Z)
PD3N/800 + LLBD	774-829
PD3N/900 + LLBD	874-929
PD3N/1000 + LLBD	974-1029



- PD3N + LLBD

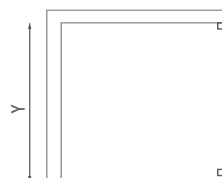


- LLBD + PD3N



- LLBD

universal LEFT and RIGHT solution



Nominal sizes of shower enclosures are designed for INSTALLATION ON THE TRAY and they are always assembled with indentation from the edge of the tray. With INSTALLATION ON THE TILES there is a risk, that the size of shower enclosure will be smaller than measured width of the tiles. It is necessary to follow the size charts on "TECHNICAL SPECIFICATION" pages at the end of our catalogue (p. 261-283).

**Atypical**  
customized solution

# Atypical dimensions

Tailored shower enclosure  
within 30 working days!

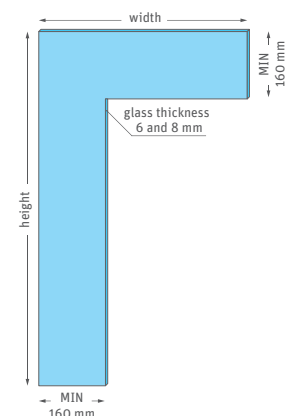
Do you have a small bathroom or you need a non-standard solution for your shower enclosure? As one of the few manufacturers we will offer you the opportunity to obtain a shower enclosure tailor made.

Extra warranty for 5 years.

We produce shower enclosures tailored to any space. Whether you have limited space or plan the bathroom in an attic or you need a non standard solution we will tune everythnig into the last millimetre.



**Limit (minimum) widths of glass  
for design with cutout**





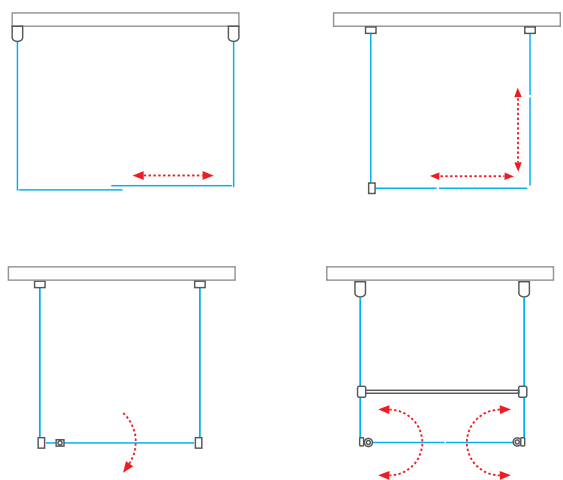
■ Details of the connection of shortened side wall to the bathtub



■ Bevel cut on fixed element



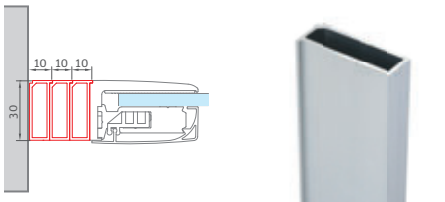
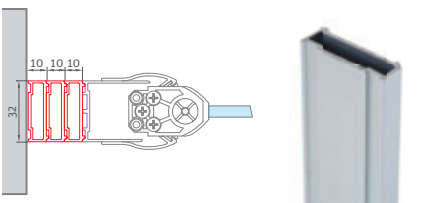
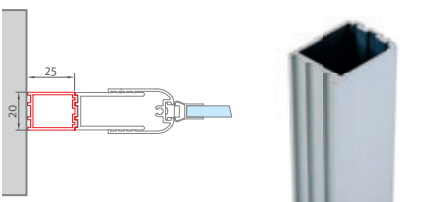

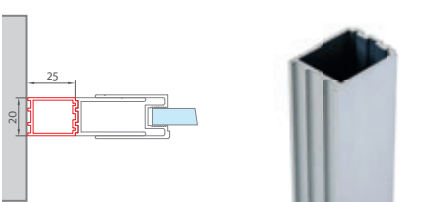
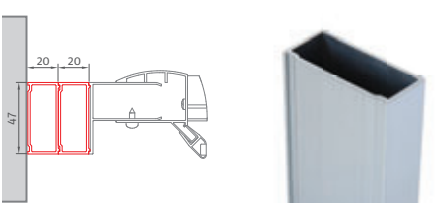
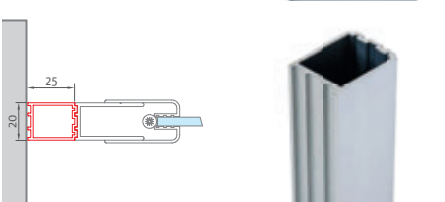
## „U“ cabins



As standard it is possible to order sliding doors with a side wall from the KINEDOOR, AMBIENT, CARIBA and LIMAYA (LYP2+LYSW1AP2) series for the “U” shower cabin. If you require a “U” cabin in other product lines such as TOWER LINE, PROXIMA LINE or LEGA LNE, do not hesitate to contact our sales department with a request. We will be happy to offer you solutions tailored to your needs.

# Additional profiles

# Extensional profiles and profiles for side connection

ADDITIONAL PROFILES							
PROFILE	series / type	extension width	height (length)	profile	ordering No.	delivery method	Price
	<b>extensional profile</b> Tower Line - TR2, TDxx	10 mm	2000 mm	brillant	P3061	S	19 €
				silver	P3062	S	14 €
	<b>extensional profile</b> Tower Line - TB	10 mm	1991 mm	brillant	P3533	S	21 €
				silver	P3534	S	17 €
	<b>extensional profile</b> Tower Line TR1, TCxx, TB TZNL(P)1, TZOL(P)1	10 mm	2000 mm	brillant	P3063	S	20 €
				silver	P3064	S	19 €
	<b>extensional profile</b> Tower Line TCN1, TDN1, TZNL(P)1	25 mm	1989 mm	brillant	P5096	S	29 €
				silver	P5097	S	23 €
	<b>extensional profile</b> Cariba Line CI P55, CI EPF, CI PIG, CI 2CL(R), CI 2BT, CI PIV, CI PIF, CI PIL(R), CI RFL(R), CI C2L(R), CI D2L(R), CI FXP	25 mm	2000 mm	brillant	CI EL2 2000 VE	S	26 €
				black elox	CI EL2 2000 NE	S	26 €
	<b>extensional profile</b> Exclusive Line ECR2N, ECS2L(P)	25 mm	2050 mm	brillant	P5840	S	32 €
	<b>extensional profile</b> Proxima Line PXDO1N, PXD2N	20 mm	2000 mm	brillant	P5092	S	27 €
	<b>extensional profile</b> Limaya Line LYR4, LYP2, LYE4, LYE2, LYSW1AP2	25 mm	1948 mm	brillant	P4066	S	21 €
	<b>extensional profile</b> Limaya Line LYSW1S, LZ		1937 mm	brillant	P4067	S	18 €



Additional profiles enable to solve construction unevenness without the necessity to order an atypical product.

ADDITIONAL PROFILES							
PROFILE	series / type	extension width	height (length)	profile	ordering No.	delivery method	Price
	<b>extensional profile</b>  <b>Lega Line</b> LLR2, LLS2, LLD01, LLD4 LLD02, LLD2, LLB, LLBD	15 mm	1900 mm	brillant	P5093	S	19 €
				white	P5094	S	20 €
	<b>extensional profile</b>  <b>Lega Line</b> PD3N	13 mm	1900 mm	brillant	P5095	S	17 €
				white	P4055	S	22 €
	<b>extensional profile</b>  <b>Project Line</b> LD3, LSB	10 mm	1800 mm	white	P2376	S	8 €
	<b>profile for side connection</b>  <b>Tower Line</b> TDN1, TCN1, TZNL(P)1	25 mm	1991 mm	brillant	P5842	S	40 €
				silver	P5843	S	40 €
	<b>profile for side connection</b>  <b>Cariba Line</b> CI P55, CI EPF, CI PIG, CI 2CL(R), CI 2BT, CI PIV, CI PIF, CI PILL(R), CI RFL(R), CI C2L(R), CI D2L(R), CI FXP	25 mm	2000 mm	brillant	CI PRO 2000 VE	S	38 €
				black elox	CI PRO 2000 NE	S	38 €
	<b>profile for side connection</b>  <b>Limaya Line</b> LYR4, LYP2, LYE4, LYE2, LYSW1AP2	25 mm	1948 mm	brillant	P5845	S	40 €
			1937 mm	brillant	P5846	S	40 €
	<b>profile for side connection</b>  <b>Lega Line</b> whole line	15 mm	1900 mm	brillant	P5841	S	28 €



**note:**

maximum recommended number of extensional profiles by drawings above (three or two profiles shown in red colour)

**RothETC**  
glass protection

# Perfect glass

Protective shield against dirt and limescale!

Shower enclosures without special glass treatment can suffer from limescale and impurities. With Roth shower enclosures this will not happen. Our unique coating based on nanotechnology RothETC will protect your shower enclosure to look like new all the time.

## Protective coating will last 10 years

Persistent water repellent layer RothETC with oleophobic properties guarantees long-life inert surface protection with very good mechanical and chemical consistence. Thanks to these characteristics your shower enclosure will be very easy to clean.



■ Glass with **RothETC** treatment  
FREE to all Roth glass panels



■ Untreated glass



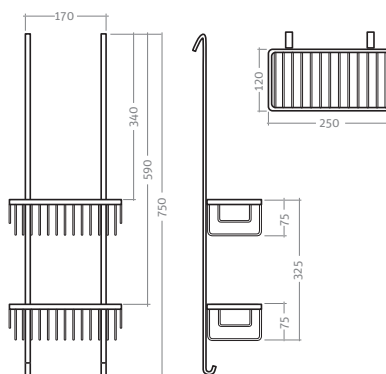
RothETC				
type	volume	ordering No.	delivery method	Price
RothETC COMPLETE CARE	3×500 ml	5139800	S	81 €
RothETC CLEANER	500 ml	5139810	S	14 €

# SHELF UNI

## hanging shelf

Get organized in cosmetics in your shower and get rid of hygiene products around the edges of the tray. Buy a new universal shelf, which could be easily hang on a screen of your shower enclosure, so you have everything nicely accessible and organized. Double hanging shelf SHELF UNI is made of quality materials in the chrome finishing, which guarantees 100% protection against corrosion.

**Dimension: 750x250 mm**



SHELF UNI			
type	ordering No.	delivery method	Price
SHELF UNI - hanging shelf	8000279	S	46 €



# CLEANING BLADE

## MAKE YOUR MAINTENANCE EASIER

Do you want to make your cleaning of shower enclosure easier? We recommend to wipe the glass after every usage with a practical cleaning blade. The width of the wiping surface is 245 mm. The practical chrome handle has a length of 150 mm.



CLEANING BLADE			
type	ordering No.	delivery method	Price
CLEANING BLADE	8000201	S	20 €
CLEANING BLADE HOLDER	8000247	S	6 €

## Profiles and glass panels of our shower enclosures

### Profile colours and types of glass panel finishing

- profiles in 4 colours
- choose from 8 types of glass panels
- RothETC glass protection
- tempered safety glass 3, 4, 5, 6 and 8 mm
- for every shower enclosure the possibility of different glass panel



■ 00 brillant



■ 01 silver (elox)



■ 04 white



■ 05 black elox

For different options in glass panels look at the table showing the shower enclosure characteristics.



■ 02 transparent



■ 03 chinchilla



■ 14 Rauch



■ 11 grape



■ 20 intimglass (Tower line)



■ 21 intimglass (Lega line)



■ 15 satinato



■ 16 rugiada (polystyrol)

**Shower trays**  
of cast marble

# Marmo Prestol

■ a new generation of durable shower trays using the advantages of cast marble

■ top quality processing

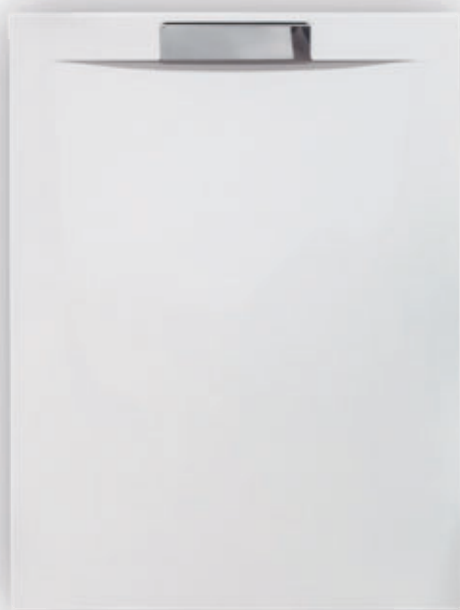
■ 5-year warranty



# PRESTOL

rectangular cast marble shower tray  
with integrated double siphon and cover  
made out of polished stainless steel

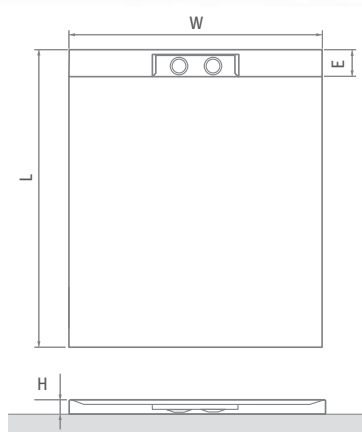
120×80 / 120×90  
140×80 / 140×90  
150×80 / 150×90



■ Solid stainless steel cover highlights the design of this product



■ A double self-cleaning siphon drain guarantee better drainage rate which ensures that during showering water will not accumulate anywhere



## PRESTOL (cast marble shower tray with stainless steel cover)

type	ordering No.	dimension (mm)	delivery method	Price
PRESTOL 1200×800	8000300	1200×800×35	S	240 €
PRESTOL 1200×900	8000301	1200×900×35	S	260 €
PRESTOL 1400×800	8000302	1400×800×35	S	276 €
PRESTOL 1400×900	8000303	1400×900×35	S	296 €
PRESTOL 1500×800	8000304	1500×800×35	S	316 €
PRESTOL 1500×900	8000305	1500×900×35	S	336 €

prices including 9 pcs of adjustable legs (adjustability 8 + 10 cm) and the stainless steel cover

PRESTOL	L	W	H	E	Ø
1200×800	1200	800	35	97	2×60
1200×900	1200	900	35	97	2×60
1400×800	1400	800	35	97	2×60
1400×900	1400	900	35	97	2×60
1500×800	1500	800	35	97	2×60
1500×900	1500	900	35	97	2×60

## PRESTOL (double siphon drain)

type	ordering No.	description	delivery method	Price
PRESTOL SIPHON	8100300	double siphon drain Ø 60	S	40 €

## Marmo Neo

### Cast marble shower trays

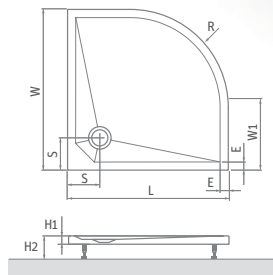
- > new series of cast marble shower trays in a modern straight design
- > the perfectly smooth surface of the trays is non-absorbent and accessible over the entire surface for easy cleaning
- > high quality barrier-free solution easy maintenance



## Marmo Neo ROUND

quadrant cast marble shower tray

80×80 / 90×90 / 100×100



Marmo Neo ROUND	L	W	H1	H2	W1	E	S	R	φ
800×800	800	800	30	110-130	250	45	180	550	90
900×900	900	900	30	110-130	350	45	180	550	90
1000×1000	1000	1000	30	110-130	450	45	180	550	90

### Marmo Neo ROUND

type	ordering No.	dimension (mm)	delivery method	Price
Marmo Neo ROUND 800	MAN RO 080080 2E	800×800×30, R550	S	173 €
Marmo Neo ROUND 900	MAN RO 090090 2E	900×900×30, R550	S	198 €
Marmo Neo ROUND 1000	MAN RO 100100 2E	1000×1000×30, R550	S	209 €
front panel 800	8010069	height=100	S	60 €
front panel 900	8010067	height=100	S	60 €
front panel 1000	8010074	height=100	S	60 €

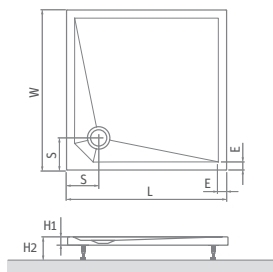
prices including 5 pcs of adjustable legs (adjustability 8 ÷ 10 cm)



# Marmo Neo SQUARE

square cast marble shower tray

80×80 / 90×90 / 100×100



Marmo Neo SQUARE	L	W	H1	H2	E	S	ø
800×800	800	800	30	110-130	45	180	90
900×900	900	900	30	110-130	45	180	90
1000×1000	1000	1000	30	110-130	45	180	90

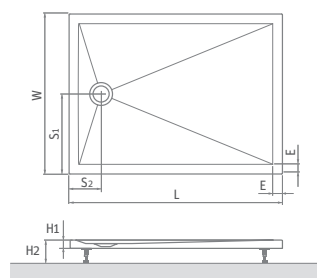
## Marmo Neo SQUARE

type	ordering No.	dimension (mm)	delivery method	Price
Marmo Neo SQUARE 800	MAN SQ 080080 2E	800×800×30	S	176 €
Marmo Neo SQUARE 900	MAN SQ 090090 2E	900×900×30	S	196 €
Marmo Neo SQUARE 1000	MAN SQ 100100 2E	1000×1000×30	S	222 €
front panel 800	8010070	height=100	S	66 €
front panel 900	8010066	height=100	S	68 €
front panel 1000	8010081	height=100	S	100 €

prices including 5 pcs of adjustable legs (adjustability 8 ÷ 10 cm)

rectangular cast marble shower tray

90×70 / 80×90 / 100×80 / 100×90 / 110×80 / 110×90  
120×80 / 120×90 / 140×80 / 140×90 / 160×80 / 160×90



Marmo Neo SQUARE	L	W	H1	H2	E	S1	S2	ø
900×700	900	700	30	110-130	50	350	180	90
800×900 *	800	900	30	110-130	50	450	180	90
1000×800	1000	800	30	110-130	50	400	180	90
1000×900	1000	900	30	110-130	50	450	180	90
1100×800	1100	800	30	110-130	50	400	180	90
1100×900	1100	900	30	110-130	50	450	180	90
1200×800	1200	800	35	115-135	50	400	180	90
1200×900	1200	900	35	115-135	50	450	180	90
1400×800	1400	800	35	115-135	50	400	180	90
1400×900	1400	900	35	115-135	50	450	180	90
1600×800	1600	800	35	115-135	50	400	180	90
1600×900	1600	900	35	115-135	50	450	180	90

\* with the size of the 800 × 900 tray, the siphon is on the longer side

## Marmo Neo SQUARE

type	ordering No.	dimension (mm)	delivery method	Price
Marmo Neo SQUARE 9070	MAN SQ 090070 2E	900×700×30	S	178 €
Marmo Neo SQUARE 8090	MAN SQ 080090 2E	800×900×30	S	198 €
Marmo Neo SQUARE 10080	MAN SQ 100080 2E	1000×800×30	S	196 €
Marmo Neo SQUARE 10090	MAN SQ 100090 2E	1000×900×30	S	209 €
Marmo Neo SQUARE 11080	MAN SQ 110080 2E	1100×800×30	S	220 €
Marmo Neo SQUARE 11090	MAN SQ 110090 2E	1100×900×30	S	233 €
Marmo Neo SQUARE 12080	MAN SQ 120080 2E	1200×800×35	S	256 €
Marmo Neo SQUARE 12090	MAN SQ 120090 2E	1200×900×35	S	267 €
* Marmo Neo SQUARE 14080	MAN SQ 140080 2E	1400×800×35	S	287 €
* Marmo Neo SQUARE 14090	MAN SQ 140090 2E	1400×900×35	S	302 €
* Marmo Neo SQUARE 16080	MAN SQ 160080 2E	1600×800×35	S	313 €
* Marmo Neo SQUARE 16090	MAN SQ 160090 2E	1600×900×35	S	324 €

prices including 5 pcs of adjustable legs (adjustability 8 ÷ 10 cm) / \* 8 pcs of legs included

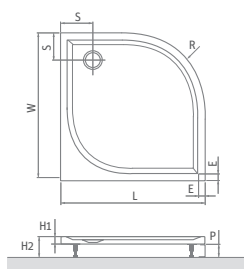
# Marmo Classic

Cast marble shower trays

## DREAM-M

quadrant cast marble shower tray

80×80 / 90×90



DREAM-M	L	W	H1	H2	S	P	E	R	Ø
800×800	800	800	30	110-130	150	100	40	550	90
900×900	900	900	30	110-130	180	100	40	550	90



### DREAM-M

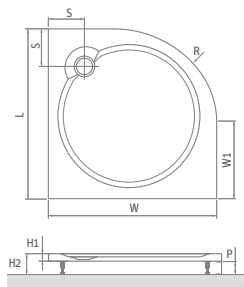
type	ordering No.	dimension (mm)	delivery method	Price
DREAM-M 800	8000151	800×800×30, R550	S	168 €
DREAM-M 900	8000150	900×900×30, R550	S	184 €
front panel 800	8010069	height=100	S	60 €
front panel 900	8010067	height=100	S	60 €

prices including 5 pcs of adjustable legs (adjustability 8 ÷ 10 cm)

## TAHITI-M

quadrant cast marble shower tray

80×80 / 90×90 / 100×100



TAHITI-M	L	W	H1	H2	W1	S	P	R	Ø
800×800	800	800	30	110-130	250	180	100	550	90
900×900	900	900	30	110-130	350	190	100	550	90
1000×1000	1000	1000	30	110-130	450	200	100	550	90



### TAHITI-M

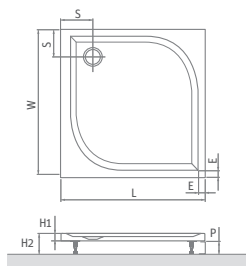
type	ordering No.	dimension (mm)	delivery method	Price
TAHITI-M 800	8000064	800×800×30, R550	S	164 €
TAHITI-M 900	8000065	900×900×30, R550	S	186 €
TAHITI-M 1000	8000082	1000×1000×30, R550	S	212 €
front panel 800	8010069	height=100	S	60 €
front panel 900	8010067	height=100	S	60 €
front panel 1000	8010074	height=100	S	60 €

prices including 5 pcs of adjustable legs (adjustability 8 ÷ 10 cm)

# ALOHA-M

square cast marble shower tray

80×80 / 90×90



ALOHA-M	L	W	H1	H2	S	P	E	β
800×800	800	800	30	110-130	150	100	40	90
900×900	900	900	30	110-130	180	100	40	90



## ALOHA-M

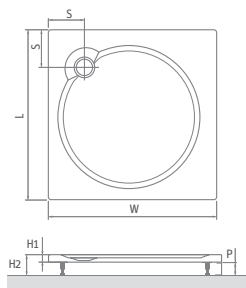
type	ordering No.	dimension (mm)	delivery method	Price
ALOHA-M 800	8000155	800×800×30	S	170 €
ALOHA-M 900	8000154	900×900×30	S	192 €
front panel 800	8010070	height=100	S	66 €
front panel 900	8010066	height=100	S	68 €

prices including 5 pcs of adjustable legs (adjustability 8 ÷ 10 cm)

# MACAO-M

square cast marble shower tray

80×80 / 90×90 / 100×100



MACAO-M	L	W	H1	H2	S	P	E	R	β
800×800	800	800	30	110-130	170	100	90	550	90
900×900	900	900	30	110-130	190	100	90	550	90
1000×1000	1000	1000	30	110-130	190	100	90	550	90



## MACAO-M

type	ordering No.	dimension (mm)	delivery method	Price
MACAO-M 800	8000062	800×800×30	S	190 €
MACAO-M 900	8000063	900×900×30	S	194 €
MACAO-M 1000	8000165	1000×1000×30	S	224 €
front panel 800	8010070	height=100	S	66 €
front panel 900	8010066	height=100	S	68 €
front panel 1000	8010081	height=100	S	100 €

prices including 5 pcs of adjustable legs (adjustability 8 ÷ 10 cm)



Cast marble trays are possible to build directly into the floor. A part of these trays is a set of legs for the case, if you would like to place the tray on an already tiled floor.

In case, you have decided to place the tray on an already tiled floor by using the legs, we recommend ordering an acrylic front cover panel together with the tray.



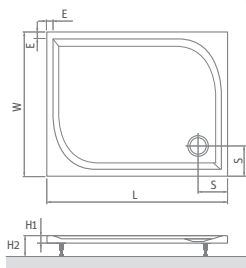
# Marmo Classic

Cast marble shower trays

## RECTAN-M

rectangular cast marble shower tray

90×80 / 100×80 / 100×90  
120×80 / 120×90



RECTAN-M	L	W	H1	H2	E	S	ø
900×800	900	800	30	110-130	50	150	90
1000×800	1000	800	30	110-130	50	150	90
1000×900	1000	900	30	110-130	50	190	90
1200×800	1200	800	30	110-130	50	150	90
1200×900	1200	900	30	110-130	50	190	90



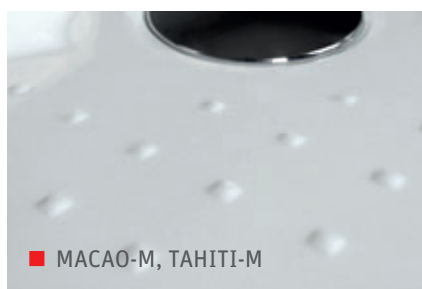
### RECTAN-M

type	ordering No.	dimension (mm)	delivery method	Price
RECTAN-M 900×800	8000450	900×800×30	S	180 €
RECTAN-M 1000×800	8000166	1000×800×30	S	190 €
RECTAN-M 1000×900	8000451	1000×900×30	S	200 €
RECTAN-M 1200×800	8000167	1200×800×30	S	206 €
RECTAN-M 1200×900	8000168	1200×900×30	S	228 €

prices including 5 pcs of adjustable legs (adjustability 8 + 10 cm)



Cast marble shower trays allow, due to its low entrance edge, comfortable access to the shower.



■ MACAO-M, TAHITI-M



■ ALOHA-M, DREAM-M, RECTAN-M

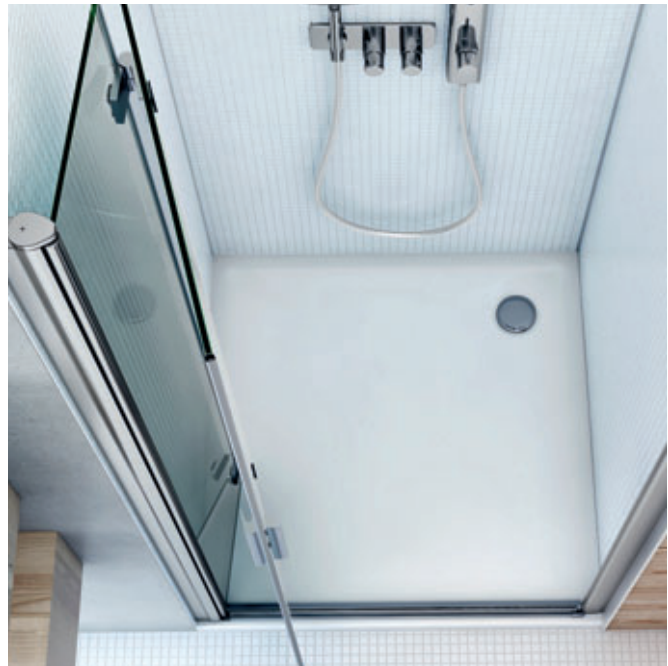


Anti slip finishing of cast marble trays for more safety in the shower.

# Acrylic shower trays

- up to 10 years warranty
- asymmetric and classic shapes
- wide selection of dimensions

almost widest range in the market



- 800×800
- 900×900
- 1000×1000

- 800×800
- 900×900
- 1000×1000

- 800×1000 / 1100 / 1200 / 1300 / 1400 / 1500
- 900×1000 / 1100 / 1200 / 1300 / 1400 / 1500
- 800×900 / 1200×1000
- 750×1500 / 1600

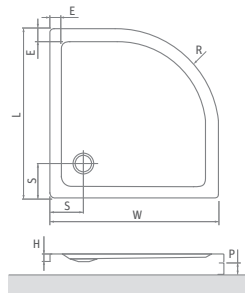
# Shower trays

## acrylic

# FLAT ROUND

quadrant acrylic shower tray

80×80 / 90×90 / 100×100



FLAT ROUND	L	W	H	S	E	P	R	Ø
800×800	800	800	50	150	50	80	550	90
900×900	900	900	50	150	50	80	550	90
1000×1000	1000	1000	50	175	50	80	550	90



## FLAT ROUND

type	ordering No.	dimension (mm)	delivery method	Price
FLAT ROUND	8000115	800×800×50, R550	S	114 €
FLAT ROUND	8000116	900×900×50, R550	S	122 €
FLAT ROUND	8000117	1000×1000×50, R550	S	164 €
front PANEL 800	8010082	height=80	S	63 €
front PANEL 900	8010083	height=80	S	63 €
front PANEL 1000	8010084	height=80	S	72 €

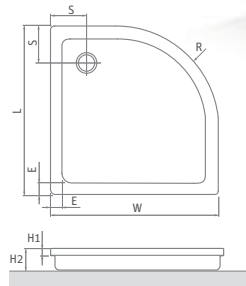
■ front panel FLAT ROUND



# HAWAII

quadrant acrylic shower tray

80×80 / 90×90



HAWAII	L	W	H1	H2	S	E	R	Ø
800×800	800	800	35	150	180	70	550	60
900×900	900	900	35	160	185	70	550	60



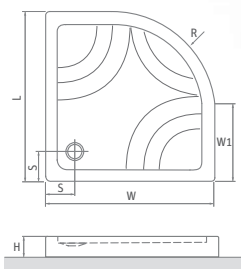
## HAWAII

type	ordering No.	dimension (mm)	delivery method	Price
HAWAII 800	8000007	800×800×150, R550	S	118 €
HAWAII 900	8000026	900×900×160, R550	S	125 €

# HAWAII-P

quadrant self-supporting shower tray  
made out of coextruded shell with PU support

80×80 / 90×90



HAWAII-P	L	W	H	W1	S	R	Ø
800×800	800	800	170	250	140	550	60
900×900	900	900	170	350	140	550	60

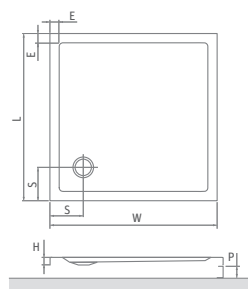


HAWAII-P				
type	ordering No.	dimension (mm)	delivery method	Price
HAWAII-P 800	8000024	800×800×170, R550	S	145 €
HAWAII-P 900	8000025	900×900×170, R550	S	164 €

# FLAT KVADRO

square acrylic shower tray

80×80 / 90×90 / 100×100



FLAT KVADRO	L	W	H	S	E	P	Ø
800×800	800	800	50	150	50	80	90
900×900	900	900	50	150	50	80	90
1000×1000	1000	1000	50	175	50	80	90



FLAT KVADRO				
type	ordering No.	dimension (mm)	delivery method	Price
FLAT KVADRO	8000118	800×800×50	S	114 €
FLAT KVADRO	8000119	900×900×50	S	122 €
FLAT KVADRO	8000120	1000×1000×50	S	164 €
front panel 800	8010085	height=80	S	63 €
front panel 900	8010086	height=80	S	63 €
front panel 1000	8010087	height=80	S	72 €

■ front panel FLAT KVADRO



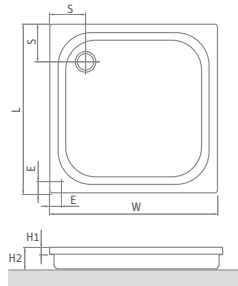
# Shower trays

## acrylic

### COLA

square acrylic shower tray

80×80 / 90×90



COLA	L	W	H1	H2	S	E	Ø
800×800	800	800	35	170	170	70	60
900×900	900	900	35	170	225	70	60



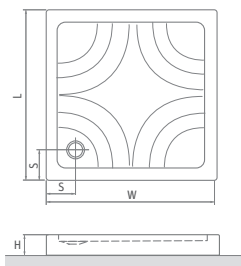
#### COLA

type	ordering No.	dimension (mm)	delivery method	Price
COLA 800	8000003	800×800×160	S	118 €
COLA 900	8000004	900×900×170	S	125 €

### COLA-P

square self-supporting shower tray  
made out of coextruded shell with PU support

80×80 / 90×90



COLA-P	L	W	H	S	Ø
800×800	800	800	170	140	60
900×900	900	900	170	140	60



#### COLA-P

type	ordering No.	dimension (mm)	delivery method	Price
COLA-P 800	8000022	800×800×170	S	145 €
COLA-P 900	8000023	900×900×170	S	164 €

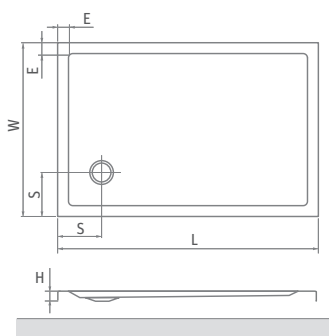


# FLAT KVADRO

rectangular acrylic shower tray



750×1500 / 1600  
 900×800 / 1200×1000  
 800×1000 / 1100 / 1200 / 1300 / 1400 / 1500  
 900×1000 / 1100 / 1200 / 1300 / 1400 / 1500



FLAT KVADRO	L	W	H	S	E	ø
900×800	900	800	50	150	50	90
1000×800	1000	800	50	150	50	90
1000×900	1000	900	50	150	50	90
1100×800	1100	800	50	150	50	90
1100×900	1100	900	50	150	50	90
1200×800	1200	800	50	150	50	90
1200×900	1200	900	50	150	50	90
1200×1000	1200	1000	50	150	50	90
1300×800	1300	800	50	150	50	90
1300×900	1300	900	50	150	50	90
1400×800	1400	800	50	150	50	90
1400×900	1400	900	50	150	50	90
1500×800	1500	800	60	150	50	90
1500×900	1500	900	60	150	50	90
1500×750	1500	750	60	160	50	90
1600×750	1600	750	60	160	50	90

FLAT KVADRO				
type	ordering No.	dimension (mm)	delivery method	Price
FLAT KVADRO	8000161	900×800×50	S	122 €
FLAT KVADRO	8000121	1000×800×50	S	148 €
FLAT KVADRO	8000122	1000×900×50	S	159 €
FLAT KVADRO	8000248	1100×800×50	S	150 €
FLAT KVADRO	8000252	1100×900×50	S	168 €
FLAT KVADRO	8000123	1200×800×50	S	159 €
FLAT KVADRO	8000124	1200×900×50	S	208 €
FLAT KVADRO	8000160	1200×1000×50	S	233 €
FLAT KVADRO	8000249	1300×800×50	S	175 €
FLAT KVADRO	8000253	1300×900×50	S	221 €
FLAT KVADRO	8000125	1400×800×50	S	208 €
FLAT KVADRO	8000254	1400×900×50	S	235 €
FLAT KVADRO	8000251	1500×800×60	S	218 €
FLAT KVADRO	8000255	1500×900×60	S	254 €
FLAT KVADRO	8000243	1500×750×60	S	208 €
FLAT KVADRO	8000244	1600×750×60	S	233 €

■ shower tray FLAT KVADRO 1500



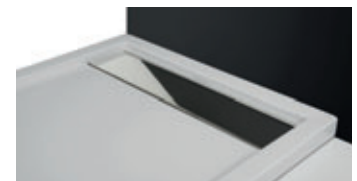
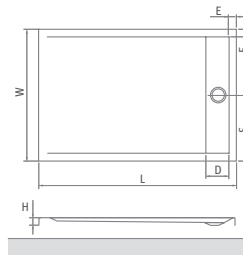
# Shower trays

## acrylic

# INTEGRO

120×90 / 140×90 / 150×90

rectangular acrylic shower tray with integrated siphon cover made out of polished stainless steel



INTEGRO	L	W	H	S	D	E	β
1200×900	1200	900	50	450	155	50	90
1400×900	1400	900	50	450	155	50	90
1500×900	1500	900	50	450	155	50	90

### INTEGRO

type	ordering No.	dimension (mm)	delivery method	Price
INTEGRO 1200	8000169	1200×900×50	S	264 €
INTEGRO 1400	8000170	1400×900×50	S	283 €
INTEGRO 1500	8000171	1500×900×50	S	302 €



FLAT acrylic trays are possible to build directly into the floor. In case you would like to place the tray on legs, we recommend to use a set of legs for acrylic trays. This set contains 5 pcs of adjustable legs (with them you will easily level the tray) and a set of mounts (for fixing the tray to the wall).



- legs adjustability: 7 ÷ 9 cm

### Set of legs

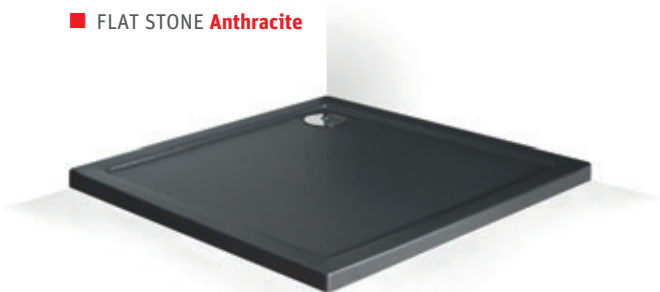
LEGS FOR ACRYLIC SHOWER TRAYS	5139200	5 pcs of adjustable legs, set of mounts for wall mounting	S	12 €
-------------------------------	---------	---	---	------

# FLAT STONE EFFECT

■ FLAT STONE **White**

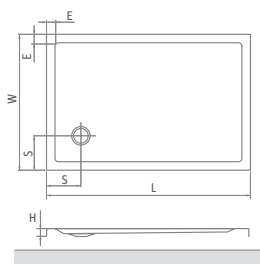


■ FLAT STONE **Anthracite**



Shower trays FLAT STONE EFFECT are designed not only for modern bathrooms with a spacious shower.

These shower trays are made of structured acrylate with a very pleasant surface to touch. FLAT STONE EFFECT is produced in the shape of a square in three dimensions or in a rectangle design, where there are an incredible 14 dimensions to choose from. All this in two colour variants - ageless sanitary white colour and modern anthracite.



FLAT STONE	L	W	H	S	E	Ø
800×800	800	800	50	150	50	90
900×900	900	900	50	150	50	90
1000×1000	1000	1000	50	175	50	90
900×800	900	800	50	150	50	90
1000×800	1000	800	50	150	50	90
1000×900	1000	900	50	150	50	90
1100×800	1100	800	50	150	50	90
1100×900	1100	900	50	150	50	90
1200×800	1200	800	50	150	50	90
1200×900	1200	900	50	150	50	90
1200×1000	1200	1000	50	150	50	90
1300×800	1300	800	50	150	50	90
1300×900	1300	900	50	150	50	90
1400×800	1400	800	50	150	50	90
1400×900	1400	900	50	150	50	90
1500×800	1500	800	50	150	50	90
1500×900	1500	900	50	150	50	90

## FLAT STONE EFFECT

type	colour	ordering No.	dimension (mm)	delivery method	Price
FLAT STONE 80×80	anthracite	8000310	800×800×50	S	117 €
	white	8000311			
FLAT STONE 90×90	anthracite	8000312	900×900×50	S	125 €
	white	8000313			
FLAT STONE 100×100	anthracite	8000314	1000×1000×50	S	169 €
	white	8000315			
FLAT STONE 90×80	anthracite	8000316	900×800×50	S	125 €
	white	8000317			
FLAT STONE 100×80	anthracite	8000318	1000×800×50	S	152 €
	white	8000319			
FLAT STONE 100×90	anthracite	8000320	1000×900×50	S	164 €
	white	8000321			
FLAT STONE 110×80	anthracite	8000322	1100×800×50	S	155 €
	white	8000323			
FLAT STONE 110×90	anthracite	8000324	1100×900×50	S	173 €
	white	8000325			
FLAT STONE 120×80	anthracite	8000326	1200×800×50	S	164 €
	white	8000327			
FLAT STONE 120×90	anthracite	8000328	1200×900×50	S	214 €
	white	8000329			
FLAT STONE 120×100	anthracite	8000330	1200×1000×50	S	239 €
	white	8000331			
FLAT STONE 130×80	anthracite	8000332	1300×800×50	S	180 €
	white	8000333			
FLAT STONE 130×90	anthracite	8000334	1300×900×50	S	228 €
	white	8000335			
FLAT STONE 140×80	anthracite	8000336	1400×800×50	S	214 €
	white	8000337			
FLAT STONE 140×90	anthracite	8000338	1400×900×50	S	241 €
	whit	8000339			
FLAT STONE 150×80	anthracite	8000340	1500×800×50	S	224 €
	white	8000341			
FLAT STONE 150×90	anthracite	8000342	1500×900×50	S	262 €
	white	8000343			

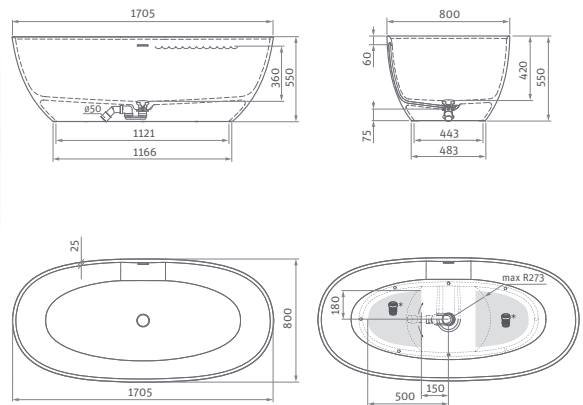
## Bathtubs freestanding

Are you also enchanted by freestanding bathtubs? We do! With the new **ALLYSA** bathtub, you can now choose between **black and white variant** for your interior!

# ALLYSA WHITE / BLACK

freestanding bathtub made of cast marble

170×80



### ALLYSA

type	ordering No.	dimension (mm)	volume (l)	delivery method	Price
ALLYSA WHITE	5231000	1705×800×550	312	Z	2 000 €
ALLYSA BLACK	5232000	1705×800×550	312	Z	2 200 €



\* - Recommended drainage area

Bathtub is equipped by the integrated siphon

weight: 115 kg



■ Bathtub in black design - ALLYSA BLACK



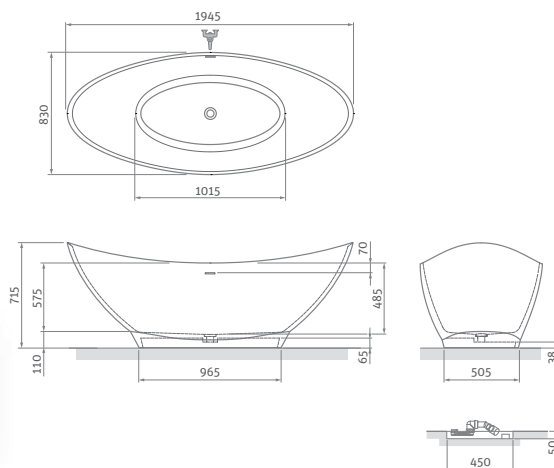
■ ALLYSA WHITE - a white version of the bathtub



# ALEGRIA SILK

elegant freestanding bathtub made of Solid Surface material

194×83



**!** Note:  
Before installation the drain has to be pre-built into the floor

## ALEGRIA SILK

type	ordering No.	dimension (mm)	volume (l)	delivery method	Price
ALEGRIA SILK	9950000	1945×830×715	280	Z	3 000 €

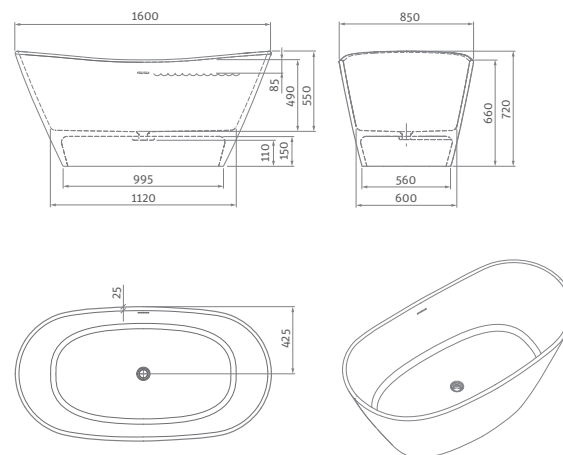
The integrated drain cover of this bathtub is specially made of Solid Surface material  
weight: 128 kg



# STONE AMORE

freestanding bathtub made of cast marble

160×85



## STONE AMORE

type	ordering No.	dimension (mm)	volume (l)	delivery method	Price
STONE AMORE	9930000	1600×850×720	260	Z	1 870 €

Bathtub is equipped by the integrated siphon  
weight: 127 kg



# Bathtubs acrylic

## KUBIC NEO

rectangular acrylic bathtub

150×70 / 160×70 / 160×80  
170×75 / 180×80



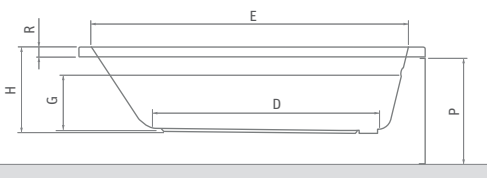
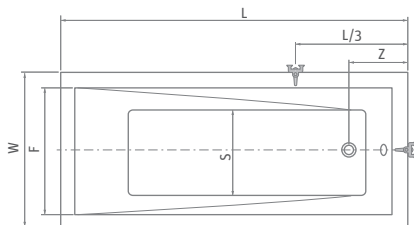
recommended  
accessories legs  
EXCLUSIVE page 211



BV2, TZVL(P)2, TV1, TV2,  
SWING, PXV2, PXVB, PXV1,  
LLV2, LLVB, SCREEN MINI

### KUBIC NEO

type	ordering No.	dimension (mm)	volume (l)	delivery method	Price
KUBIC NEO 150×70	9300000	1500×700	200	S	244 €
KUBIC NEO 160×70	9310000	1600×700	210	S	250 €
KUBIC NEO 160×80	9320000	1600×800	225	S	270 €
KUBIC NEO 170×75	9330000	1700×750	230	S	314 €
KUBIC NEO 180×80	9340000	1800×800	250	S	326 €
Front PANEL 150	9300001	1500×560	-	S	144 €
Front PANEL 160	9310001	1600×560	-	S	145 €
Front PANEL 170	9330001	1700×560	-	S	160 €
Front PANEL 180	9340001	1800×560	-	S	160 €
Side PANEL 70	9300002	700×560	-	S	125 €
Side PANEL 75	9330002	750×560	-	S	125 €
Side PANEL 80	9340002	800×560	-	S	130 €



KUBIC NEO	L	W	H	G	D	R	P	S	E	F	Z
1495×695	1495	695	435	330	970	40	560	400	1360	560	290
1595×695	1595	695	435	330	1070	40	560	400	1460	560	290
1595×795	1595	795	455	350	1070	40	560	450	1460	660	290
1695×750	1695	750	435	330	1170	40	560	420	1560	610	290
1795×795	1795	795	455	350	1270	40	560	450	1660	660	290

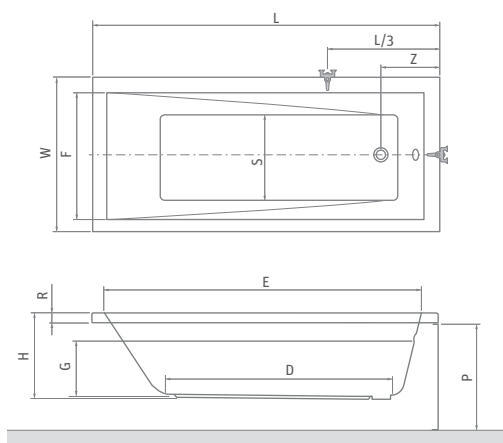
# KUBIC NEO SLIM

rectangular acrylic bathtub with extra slim rim

150×70 / 160×70 / 160×80  
170×75 / 180×80

## KUBIC NEO SLIM

type	ordering No.	dimension (mm)	volume (l)	delivery method	Price
KUBIC NEO SLIM 150×70	9300SLM	1500×700	200	S	284 €
KUBIC NEO SLIM 160×70	9310SLM	1600×700	210	S	290 €
KUBIC NEO SLIM 160×80	9320SLM	1600×800	225	S	300 €
KUBIC NEO SLIM 170×75	9330SLM	1700×750	230	S	314 €
KUBIC NEO SLIM 180×80	9340SLM	1800×800	250	S	372 €



recommended accessories legs EXCLUSIVE page 211



BV2, TZVL(P)2, TV1, TV2, SWING, PXV2, PXVB, PXV1, LLV2, LLVB, SCREEN MINI



KUBIC NEO	L	W	H	G	D	R	P	S	E	F	Z
1495×695	1495	695	435	340	970	18	560	400	1360	560	290
1595×695	1595	695	435	340	1070	18	560	400	1460	560	290
1595×795	1595	795	455	360	1070	18	560	450	1460	660	290
1695×750	1695	750	435	340	1170	18	560	420	1560	610	290
1795×795	1795	795	455	360	1270	18	560	450	1660	660	290

New extra slim rim for more luxurious bathing ...



# Bathtubs

## acrylic

# MALIBU NEO

rectangular acrylic bathtub

160×75 / 170×75 / 180×80



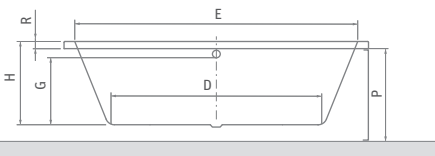
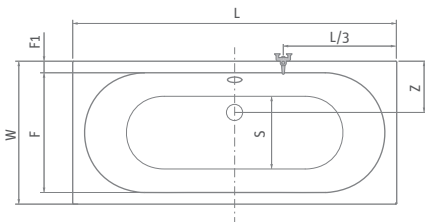
recommended accessories legs EXCLUSIVE page 211



BV2, TZVL(P)2, TV1, TV2, SWING, PXV2, PXVB, PXV1, LLV2, LLVB, SCREEN MINI

### MALIBU NEO

type	ordering No.	dimension (mm)	volume (l)	delivery method	Price
MALIBU NEO 160	9200000	1600×750	200	S	280 €
MALIBU NEO 170	9190000	1700×750	210	S	300 €
MALIBU NEO 180	9180000	1795×795	220	S	320 €
Front PANEL 160	9310001	1600×560	-	S	145 €
Front PANEL 170	9330001	1700×560	-	S	160 €
Front PANEL 180	9180001	1800×580	-	S	160 €
Side PANEL 75	9330002	750×560	-	S	125 €
Side PANEL 80	9180002	800×580	-	S	125 €



MALIBU NEO	L	W	H	G	D	R	P	S	E	F	F1	Z
1595×750	1595	750	430	330	1010	40	560	375	1480	630	60	255
1695×750	1695	750	465	320	1150	40	560	445	1590	630	60	255
1795×795	1795	795	465	330	1210	40	580	465	1680	670	60	270



# KUBIC NEO

rectangular acrylic bathtub

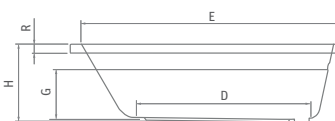
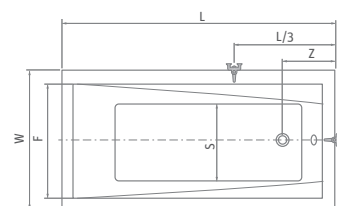
120×70 / 130×70



recommended accessories legs EXCLUSIVE page 211



BV2, TV1, TV2, SWING, PXV1, SCREEN MINI



## KUBIC NEO

type	ordering No.	dimension (mm)	volume (l)	delivery method	Price
KUBIC NEO 120	9350000	1200×700	145	S	196 €
KUBIC NEO 130	9360000	1300×700	160	S	208 €

KUBIC NEO	L	W	H	G	D	R	S	E	F	Z
1195×695	1195	695	435	330	670	40	400	1060	560	290
1295×695	1295	695	435	330	770	40	400	1160	560	290

# KUBIC

rectangular acrylic bathtub

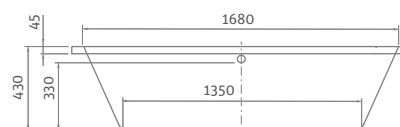
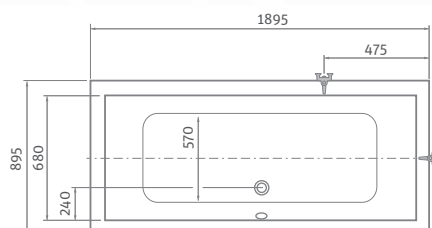
190×90



recommended accessories legs EXCLUSIVE page 211



BV2, TZVL(P)2, TV1, TV2, SWING, PXV2, PXVB, PXV1, LLV2, LLVB, SCREEN MINI



## KUBIC 190

type	ordering No.	dimension (mm)	volume (l)	delivery method	Price
KUBIC 190	9390000	1900×900	220	S	306 €

# Bathtubs

## acrylic

# SAVONA NEO

rectangular acrylic bathtub

170×80 / 180×80



recommended accessories legs  
EXCLUSIVE page 211



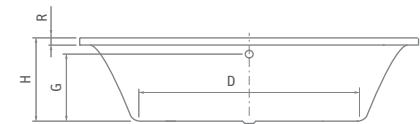
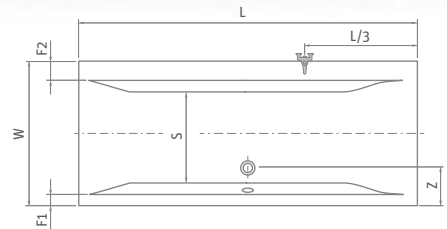
BV2, TZVL(P)2, TV1, TV2, SWING, PXV2, PXVB, PXV1, LLV2, LLVB, SCREEN MINI



### SAVONA NEO

type	ordering No.	dimension (mm)	volume (l)	delivery method	Price
SAVONA NEO 170	9290000	1700×800	190	S	296 €
SAVONA NEO 180	9280000	1800×800	200	S	306 €

SAVONA NEO	L	W	H	G	D	R	S	F1	F2	Z
1700×800	1700	800	440	350	1140	40	580	60	90	265
1800×800	1800	800	440	350	1240	40	580	60	90	265



# VANESSA NEO

rectangular acrylic bathtub

140×70 / 150×70 / 160×70 / 170×70



recommended accessories legs EXCLUSIVE page 211



BV2, TZVL(P)2, TV1, TV2, SWING, PXV2, PXVB, PXV1, LLV2, LLVB, SCREEN MINI

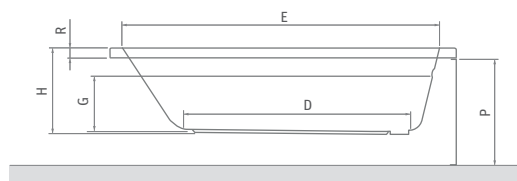
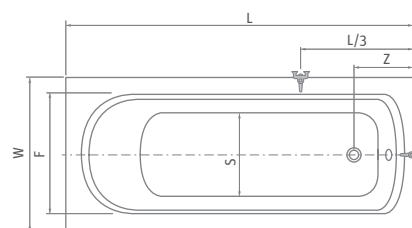
VANESSA NEO					
type	ordering No.	dimension (mm)	volume (l)	delivery method	Price
VANESSA NEO 140	9550000	1400×700	150	S	184 €
VANESSA NEO 150	9560000	1500×700	155	S	200 €
VANESSA NEO 160	9570000	1600×700	160	S	220 €
VANESSA NEO 170	9580000	1700×700	165	S	240 €
Front PANEL 140	9550001	1400×530	-	S	108 €
Front PANEL 150	8930001	1500×530	-	S	113 €
Front PANEL 160	8940001	1600×530	-	S	118 €
Front PANEL 170	8950001	1700×530	-	S	123 €
Side PANEL 70	8930002	700×530	-	S	83 €



## ■ front panel for VANESSA NEO bathtub



## ■ side panel for VANESSA NEO bathtub



VANESSA NEO	L	W	H	G	D	R	P	S	E	F	Z
1395×695	1395	695	435	330	870	40	530	380	1270	560	270
1495×695	1495	695	435	330	970	40	530	380	1370	560	270
1595×695	1595	695	435	330	1070	40	530	380	1470	560	270
1695×695	1695	695	435	330	1170	40	530	380	1570	510	270

# Bathtubs

## acrylic

# ACTIVA

asymmetric corner acrylic bathtub

150×90 / 160×90 / 170×90



recommended accessories legs EXCLUSIVE page 211

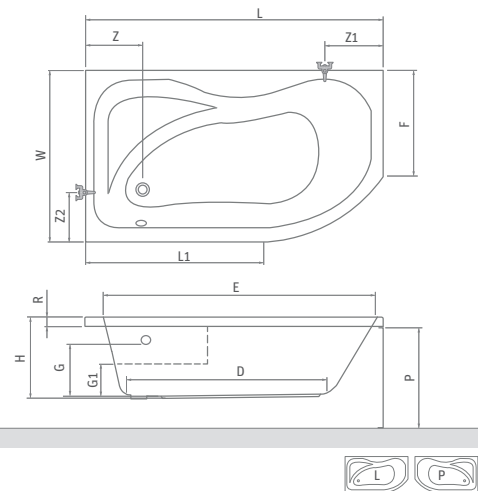


BV2, TZVL(P)2, TV1, TV2, SWING, PXV1, SCREEN MINI



ACTIVA					
type	ordering No.	dimension (mm)	volume (l)	delivery method	Price
ACTIVA 150 (L)	8410000	1500×900	200	S	284 €
ACTIVA 150 (P)	8400000	1500×900	200	S	284 €
ACTIVA 160 (L)	8430000	1600×900	210	S	300 €
ACTIVA 160 (P)	8420000	1600×900	210	S	300 €
ACTIVA 170 (L)	8170000	1700×900	280	S	320 €
ACTIVA 170 (P)	8180000	1700×900	280	S	320 €
Front PANEL 150	8400001	height=580	-	S	183 €
Front PANEL 160	8420001	height=580	-	S	188 €
Front PANEL 170	8170001	height=580	-	S	195 €

■ panel for ACTIVA bathtub



ACTIVA	L	W	H	G	G1	D	R	P	L1	E	F	Z	Z1	Z2
1495×895	1495	895	465	330	240	1000	45	580	800	1430	570	210	340	230
1595×895	1595	895	465	330	240	1200	45	580	850	1500	570	210	340	230
1695×895	1695	895	475	330	240	1250	45	580	950	1570	570	210	340	230

# MINI

asymmetric corner acrylic bathtub

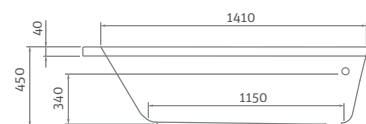
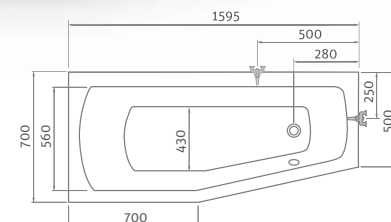
160×70



recommended accessories legs EXCLUSIVE page 211



PXV1, SCREEN MINI



MINI					
type	ordering No.	dimension (mm)	volume (l)	delivery method	Price
MINI 160×70 (L)	N-8000073	1600×700	210	S	168 €
MINI 160×70 (P)	N-8000074	1600×700	210	S	168 €

# EVA SIDE

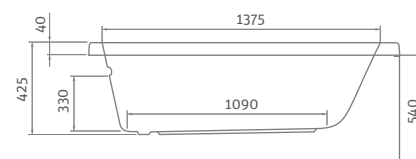
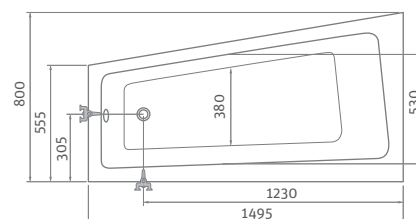
asymmetric corner acrylic bathtub

150×80

■ EVA SIDE bathtub with front and side panels



recommended accessories legs EXCLUSIVE page 211



EVA SIDE					
type	ordering No.	dimension (mm)	volume (l)	delivery method	Price
EVA SIDE 150×80 (L)	9780000	1500×800	200	S	282 €
EVA SIDE 150×80 (P)	9790000	1500×800	200	S	282 €
Front PANEL 150 (L)	9780001	height=540	-	S	140 €
Front PANEL 150 (P)	9790001	height=540	-	S	140 €
Side PANEL 55	9780002	height=540	-	S	120 €

# Bathtubs

## acrylic

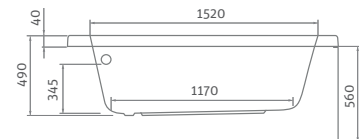
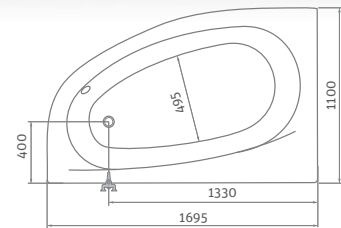
# ISABELLA NEO

asymmetric corner acrylic bathtub

170×110



recommended  
accessories legs  
EXCLUSIVE page 211



### ISABELLA NEO

type	ordering No.	dimension (mm)	volume (l)	delivery method	Price
ISABELLA NEO 170 (L)	9700000	1700×1100	240	S	396 €
ISABELLA NEO 170 (P)	9710000	1700×1100	240	S	396 €
front PANEL 170 (L)	9700001	height=570	-	S	180 €
front PANEL 170 (P)	9710001	height=570	-	S	180 €

■ panel for ISABELLA NEO bathtub



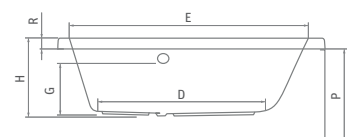
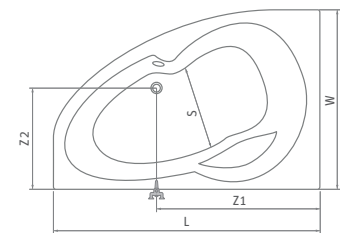
# HARMONIA

asymmetric corner acrylic bathtub

150×95 / 160×95



recommended  
accessories legs  
EXCLUSIVE page 211



### HARMONIA

type	ordering No.	dimension (mm)	volume (l)	delivery method	Price
HARMONIA 150 (L)	9800000	1500×950	200	S	290 €
HARMONIA 150 (P)	9810000	1500×950	200	S	290 €
HARMONIA 160 (L)	9820000	1600×950	225	S	322 €
HARMONIA 160 (P)	9830000	1600×950	225	S	322 €
Front PANEL 150	9800001	height=560	-	S	150 €
Front PANEL 160	9820001	height=560	-	S	150 €

HARMONIA	L	W	H	G	D	R	P	S	E	Z1	Z2
1495×950	1495	950	450	330	1050	40	560	440	1390	905	515
1595×950	1595	950	470	335	1205	40	560	475	1490	965	515

# ACTIVA NEO

spacious asymmetric corner bathtub

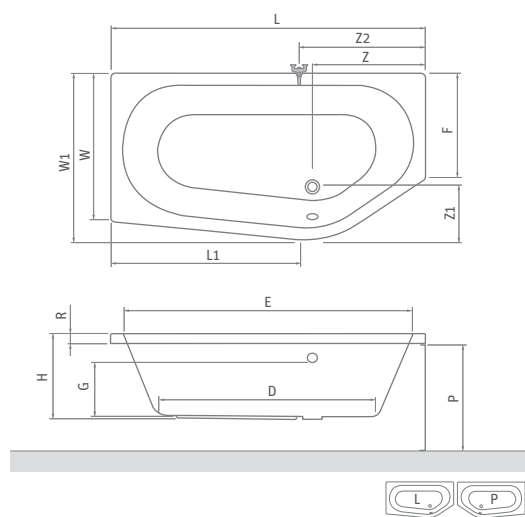
150×90 / 160×90 / 170×90



recommended accessories legs EXCLUSIVE page 211



ACTIVA NEO					
type	ordering No.	dimension (mm)	volume (l)	delivery method	Price
ACTIVA NEO 150 (L)	9840000	1500×900	210	S	265 €
ACTIVA NEO 150 (P)	9850000	1500×900	210	S	265 €
ACTIVA NEO 160 (L)	9860000	1600×900	215	S	279 €
ACTIVA NEO 160 (P)	9870000	1600×900	215	S	279 €
ACTIVA NEO 170 (L)	9880000	1700×900	230	S	306 €
ACTIVA NEO 170 (P)	9890000	1700×900	230	S	306 €
Front PANEL 150	9840001	height=570	-	S	173 €
Front PANEL 160	9860001	height=570	-	S	203 €
Front PANEL 170	9880001	height=570	-	S	208 €



New design of ACTIVA NEO bathtub provides maximum space to enjoy a comfortable bath even in smaller bathrooms!

ACTIVA NEO	L	W1	W	H	G	D	R	P	L1	E	F	Z	Z1	Z2
1500×900	1500	900	800	460	350	1000	40	570	850	1380	560	530	300	550
1600×900	1600	900	800	460	350	1100	40	570	980	1480	560	530	300	550
1700×900	1600	900	800	460	350	1150	40	570	1060	1580	560	530	300	550

## Bathtubs acrylic

# KUBIC ASYMMETRIC

asymmetric corner acrylic bathtub

160×103 / 170×110



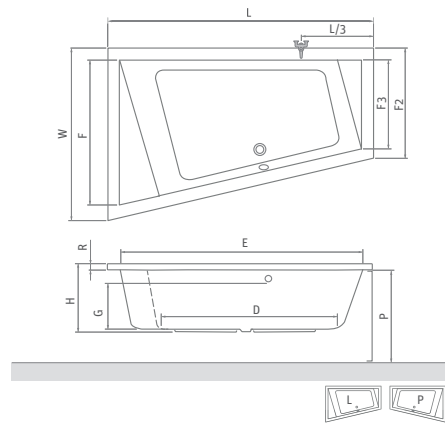
recommended  
accessories legs  
EXCLUSIVE page 211



### KUBIC ASYMMETRIC

type	ordering No.	dimension (mm)	volume (l)	delivery method	Price
KUBIC ASYMMETRIC 160 (L)	9660000	1600×1030	220	S	320 €
KUBIC ASYMMETRIC 160 (P)	9670000	1600×1030	220	S	320 €
KUBIC ASYMMETRIC 170 (L)	9680000	1700×1100	240	S	372 €
KUBIC ASYMMETRIC 170 (P)	9690000	1700×1100	240	S	372 €
Front PANEL 160	9660001	height=520	-	S	188 €
Front PANEL 170	9680001	height=520	-	S	196 €

KUBIC ASYM.	L	W	H	G	D	R	P	E	F	F2	F3
1595×1025	1595	1025	450	320	950	50	520	1450	870	630	500
1695×1095	1695	1095	450	320	1050	50	520	1550	940	700	570



# AMORE

rectangular acrylic bathtub for two persons

180×120



we recommend to order  
**2 × set of legs EXCLUSIVE**  
page 211

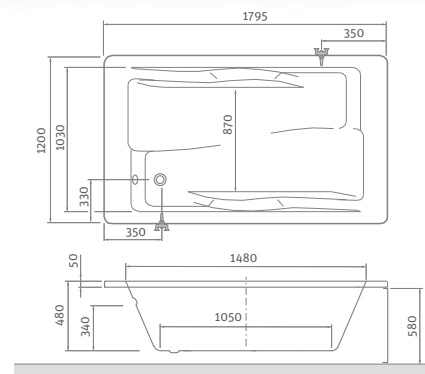


BV2, TZVL(P)2, TV1, TV2,  
SWING, PXV2, PXVB, PXV1,  
LLV2, LLVB, SCREEN MINI



### AMORE

type	ordering No.	dimension (mm)	volume (l)	delivery method	Price
AMORE	9720000	1800×1200	300	S	640 €
Front PANEL 180	9720001	1800×580	-	S	138 €
Side PANEL 120	9720002	1200×580	-	S	120 €





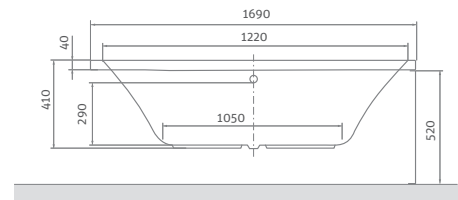
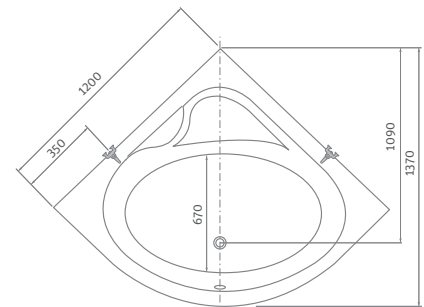
## FLORA NEO

corner acrylic bathtub

120×120



recommended accessories legs EXCLUSIVE page 211



### FLORA NEO

type	ordering No.	dimension (mm)	volume (l)	delivery method	Price
FLORA NEO 120	9590000	1200×1200	140	S	320 €
Front PANEL 120	9590001	height=520	-	S	150 €

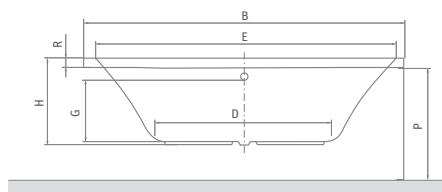
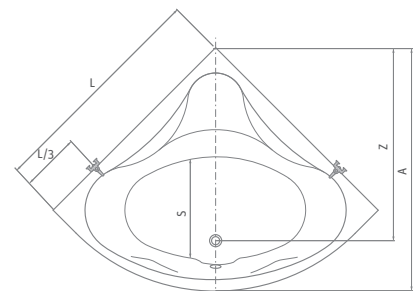
## SABRINA NEO

corner acrylic bathtub

140×140 / 150×150



recommended accessories legs EXCLUSIVE page 211



### SABRINA NEO

type	ordering No.	dimension (mm)	volume (l)	delivery method	Price
SABRINA NEO 140	9620000	1400×1400	250	S	320 €
SABRINA NEO 150	9630000	1500×1500	320	S	360 €
Front PANEL 140	9620001	height=570	-	S	150 €
Front PANEL 150	9630001	height=570	-	S	150 €

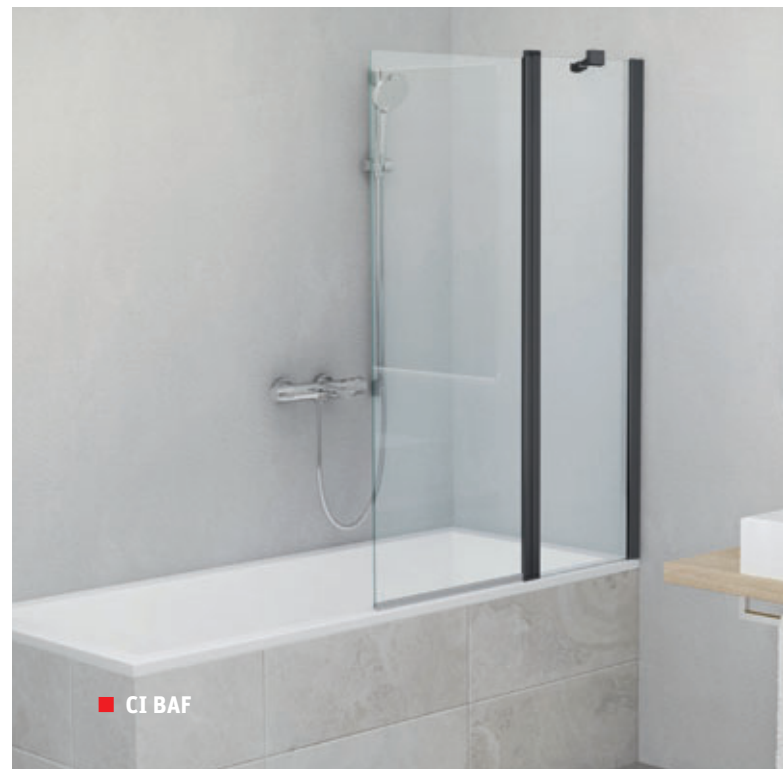
SABRINA NEO	L	A	B	H	G	D	R	P	S	E	Z
1395×1395	1395	1410	1950	480	320	990	40	570	630	1370	1150
1495×1495	1495	1540	2100	480	320	1100	40	570	750	1600	1310

**Bath screens**  
practical supplement

# Bath screens



Do you need a practical bath screen? Fixed, with sliding door, opening or folding? Just pick ...





■ LLVB + LLV2

## Bath screens

practical supplement

easy maintenance thanks  
to the minimum of profiles



■ CI BAE

## CI BAE

bath screen with a both-way opening

- both-way opening - inside / outside
- newly available variants in Black elox colour
- RothETC glass surface treatment against the limescale



6 mm ESG Tempered glass  
**Transparent**



Profile colour  
**Brillant / Black elox**

### CI BAE (bath screen with a both-way opening)

type	ordering No.	installation width (y)	height (h)	width (c)	profile	glass	delivery method	Price
CI BAE/750	CI BAE 075150 VPE	740-765	1502*	665	brillant	transparent	0	236 €
CI BAE/750	CI BAE 075150 NPE	740-765	1502*	665	black elox	transparent	0	236 €

h\* - height including supporting elements



### CI BAE (atypical customized solution)

type	width (y)	height (h)	profile	glass	delivery method
CI BAE	up to 1000 mm	up to 1500 mm	brillant / black elox	transparent	Z
CI BAE	up to 1000 mm	up to 1500 mm	brillant / black elox	rauch	Z
CI BAE	up to 1000 mm	up to 1500 mm	brillant / black elox	satinato	Z



- **CI BAE**  
universal LEFT and RIGHT solution



- Lifting mechanism for easy opening in polished aluminium - Brillant

# innovated lifting mechanism for opening



## CI BAF

bath screen with a both-way opening and a fixed part

- minimalist design without frame
- newly available variants in Black elox colour
- both-way opening



6 mm ESG Tempered glass  
**Transparent**



Profile colour  
**Brillant / Black elox**



### CI BAF (bath screen with a both-way opening)

type	ordering No.	installation width (y)	height (h)	width (c)	width (s)	profile	glass	delivery method	Price
CI BAF/1100	CI BAF 110150 VPE	1090-1115	1523*	570	420-445	brillant	transparent	0	291 €
CI BAF/1100	CI BAF 110150 NPE	1090-1115	1523*	570	420-445	black elox	transparent	0	292 €

h\* - height including supporting elements

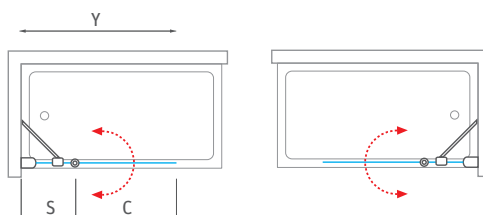
### CI BAF (atypical customized solution)

type	width (y)	height (h)	profile	glass	delivery method
CI BAF	up to 1800 mm	up to 1500 mm	brillant / black elox	transparent	Z
CI BAF	up to 1800 mm	up to 1500 mm	brillant / black elox	rauch	Z
CI BAF	up to 1800 mm	up to 1500 mm	brillant / black elox	satinato	Z



■ Stable support bar of the fixed part - Black elox

- **CI BAF**  
universal LEFT and RIGHT solution



# Bath screens

practical supplement

quality processing  
to the last detail



## CI 2PL / CI 2PR

**folding bath screen  
with a pivot wall system**

- profile with quality lifting mechanism for easy opening
- door hinges are embedded from inside to the glass level for better convenience when cleaning
- RothETC glass surface treatment against the limescale



6 mm ESG Tempered glass  
**Transparent**



Profile colour  
**Brillant**

CI 2PL / CI 2PR (folding bath screen)									
type	ordering No.	installation width (y)	height (h)	width (c1)	width (c2)	profile	glass	delivery method	Price
CI 2PL/1000	CI 2PL 100150 VPE	980-1005	1502*	446	459	brillant	transparent	0	378 €
CI 2PL/1200	CI 2PL 120150 VPE	1180-1205	1502*	546	559	brillant	transparent	0	394 €
CI 2PR/1000	CI 2PR 100150 VPE	980-1005	1502*	446	459	brillant	transparent	0	378 €
CI 2PR/1200	CI 2PR 120150 VPE	1180-1205	1502*	546	559	brillant	transparent	0	394 €



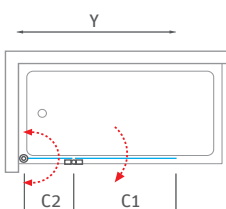
h\* - height including supporting elements

CI 2PL / CI 2PR (atypical customized solution)					
type	width (y)	height (h)	profile	glass	delivery method
CI 2PL / CI 2PR	up to 1600 mm	up to 1500 mm	brillant	transparent	Z
CI 2PL / CI 2PR	up to 1600 mm	up to 1500 mm	brillant	rauch	Z
CI 2PL / CI 2PR	up to 1600 mm	up to 1500 mm	brillant	satinato	Z



■ Design hinge in chrome finish

■ CI 2PL



■ CI 2PR





Choose the right **bath screen** for your bathroom, thanks to which not a drop will fall on the floor when showering. The bathtub screen is an ideal solution in the bathroom, if you also use your bathtub for showering. Roth safety glass screens are not only practical, but also nicely designed. You can also choose from many types, such as with sliding doors and a fixed side wall or with opening on both sides.



# Bath screens

practical supplement

practical solution  
for comfortable relaxation



## TZVL2 / TZVP2

**folding bath screen  
with a swivel wall system**

- profile with quality lifting mechanism for easy opening
- RothETC glass surface treatment against the limescale
- door hinges are embedded from inside to the glass level for better convenience when cleaning



6 mm ESG Tempered glass  
**Transparent 02**



Profile colour  
**Brillant 00**

### TZVL2 / TZVP2 (folding bath screen)

type	ordering No.	installation width (y)	height (h)	width (c1)	width (c2)	profile	glass	delivery method	Price
TZVL2/1000	742-100000L-00-02	990-1005	1400*	420	520	brillant	transparent	0	362 €
TZVP2/1000	742-100000P-00-02	990-1005	1400*	420	520	brillant	transparent	0	362 €
TZVL2/1100	742-110000L-00-02	1090-1105	1400*	470	570	brillant	transparent	0	380 €
TZVP2/1100	742-110000P-00-02	1090-1105	1400*	470	570	brillant	transparent	0	380 €
TZVL2/1200	742-120000L-00-02	1190-1205	1400*	520	620	brillant	transparent	0	411 €
TZVP2/1200	742-120000P-00-02	1190-1205	1400*	520	620	brillant	transparent	0	411 €

h\* - height including supporting elements



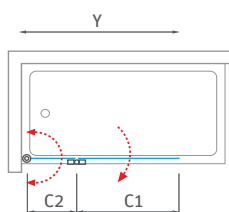
### TZVL2 / TZVP2 (atypical customized solution)

type	width (y)	height (h)	profile	glass	delivery method
TZVL(P)2	up to 1600 mm	up to 1500 mm	brillant	transparent	Z
TZVL(P)2	up to 1600 mm	up to 1500 mm	brillant	chinchilla	Z
TZVL(P)2	up to 1600 mm	up to 1500 mm	brillant	rauch	Z
TZVL(P)2	up to 1600 mm	up to 1500 mm	brillant	satinato	Z

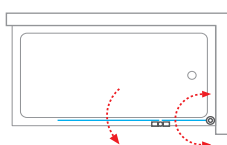


- Door hinges in chrome surface finishing

#### ■ TZVL2



#### ■ TZVP2





stability  
and easy maintenance



## TV2

bath screen with a both-way opening and a fixed part

- minimalist design without frame
- safety glass with RothETC treatment
- both-way opening



6 mm ESG Tempered glass  
**Transparent 02**



Profile colour  
**Brillant 00**

### TV2 (bath screen with a both-way opening and a fixed part)

type	ordering No.	installation width (y)	height (h)	width (c1)	width (c2)	profile	glass	delivery method	Price
TV2	732-9700000-00-02	970-980	1427*	430	540	brillant	transparent	S	238 €

h\* - height including supporting elements



### TV2 (atypical customized solution)

type	width (y)	height (h)	profile	glass	delivery method
TV2	up to 1800 mm	up to 1500 mm	brillant	transparent	Z
TV2	up to 1800 mm	up to 1500 mm	brillant	chinchilla	Z
TV2	up to 1800 mm	up to 1500 mm	brillant	rauch	Z
TV2	up to 1800 mm	up to 1500 mm	brillant	satinato	Z



- Lifting mechanism for easy opening

- TV2 - universal LEFT and RIGHT solution



# Bath screens

practical supplement

simple line  
in elegant concept



## TV1

bath screen with a both-way opening

- elegant frameless solution
- RothETC glass surface treatment against the limescale
- extended 5-years warranty
- universal left / right solution



6 mm ESG Tempered glass  
**Transparent 02**



Profile colour  
**Brillant 00 / Silver (elox) 01**



### TV1 (bath screen with a both-way opening)

type	ordering No.	installation width (y)	height (h)	width (c)	profile	glass	delivery method	Price
TV1/700	706-7000000-00-02	670-685	1400	620	brillant	transparent	S	232 €
TV1/700	706-7000000-01-02	670-685	1400	620	silver	transparent	S	220 €
TV1/750	706-7500000-00-02	720-735	1400	670	brillant	transparent	S	240 €
TV1/750	706-7500000-01-02	720-735	1400	670	silver	transparent	S	232 €
TV1/800	706-8000000-00-02	770-785	1400	720	brillant	transparent	S	260 €
TV1/800	706-8000000-01-02	770-785	1400	720	silver	transparent	S	250 €

h\* - height including supporting elements

### TV1 (atypical customized solution)

type	width (y)	height (h)	profile	glass	delivery method
TV1	up to 1000 mm	up to 1600 mm	silver / brillant	transparent	Z
TV1	up to 1000 mm	up to 1600 mm	silver / brillant	chinchilla*	Z
TV1	up to 1000 mm	up to 1600 mm	silver / brillant	rauch	Z
TV1	up to 1000 mm	up to 1600 mm	silver / brillant	satinato*	Z

\* in the CHINCHILLA and SATINATO versions it is necessary to distinguish between LEFT and RIGHT solutions



■ **TV1** - universal LEFT and RIGHT solution



■ Handle with chrome surface finishing

design and functional solution to every bathroom



# SWING

bath screen with a both-way opening

- design of frameless bath screen
- safety glass with RothETC treatment
- lifting mechanism



6 mm ESG Tempered glass  
**Transparent 02**



Profile colour  
**Brillant 00 / Silver (elox) 01**

## SWING (bath screen with a both-way opening)

type	ordering No.	installation width (y)	height (h)	width (c1)	profile	glass	delivery method	Price
SWING/850	657-8500000-00-02	855-870	1400	805	brillant	transparent	S	387 €
SWING/850	657-8500000-01-02	855-870	1400	805	silver	transparent	S	373 €

h\* - height including supporting elements



- Both-way screen opening saves the space

- **SWING** - universal LEFT and RIGHT solution



## Bath screens

practical supplement

focused on detail  
and perfection



## SCREEN MINI

bath screen with a both-way opening

- profile with quality lifting mechanism for easy opening
- RothETC glass surface treatment against the limescale
- extended 5-years warranty



8 mm ESG Tempered glass  
**Transparent 02**



Profile colour  
**Brillant 00**



### SCREEN MINI (bath screen with a both-way opening)

type	ordering No.	installation width (y)	height (h)	width (c)	profile	glass	delivery method	Price
SCREEN MINI	217-7000000-00-09	660	1 400	635	brillant	transparent	S	204 €

- Quality polished hinges for improved stability



- SCREEN MINI - universal LEFT and RIGHT solution



solution for your bathroom  
in a simple design



## PXV1

fixed bath screen

- safety glass with RothETC treatment
- brace with a chrome surface finish
- extended 5-years warranty



6 mm ESG Tempered glass  
**Transparent 02**



Profile colour  
**Brillant 00**



### PXV1 (fixed bath screen)

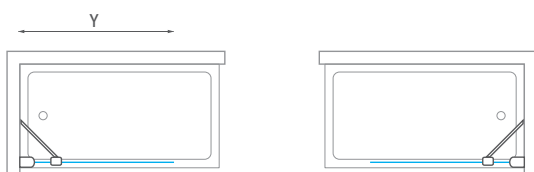
type	ordering No.	installation width (y)	height (h)	width (c)	profile	glass	delivery method	Price
PXV1/700	453-7000000-00-02	635-660	1517*	—	brillant	transparent	S	176 €
PXV1/750	453-7500000-00-02	685-710	1517*	—	brillant	transparent	S	187 €
PXV1/800	453-8000000-00-02	735-760	1517*	—	brillant	transparent	O	191 €

h\* - height including supporting elements

### PXV1 (atypical customized solution)

type	width (y)	height (h)	profile	glass	delivery method
PXV1	up to 1200 mm	up to 1500 mm	brillant	transparent	Z

- **PXV1** - universal LEFT and RIGHT solution



- The brace in a chrome finish ensures perfect stability

# Bath screens

practical supplement

precise processing  
attention to detail



## PXV2L / PXV2P

bath screen with sliding door

- aluminium profiles and ball bearing rollers
- RothETC glass surface treatment
- all installation options:  
along the wall, to a corner or to a niche



6 mm ESG Tempered glass  
**Transparent O2**



Profile colour  
**Brillant OO**



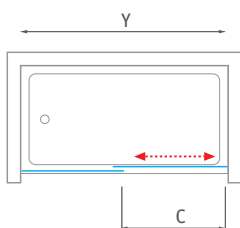
### PXV2L / PXV2P (bath screen with sliding door)

type	ordering No.	installation width (y)	height (h)	entrance (c)	profile	glass	delivery method	Price
PXV2L/1500	451-150000L-00-02	1480-1530	1500	600	brillant	transparent	0	316 €
PXV2P/1500	451-150000P-00-02	1480-1530	1500	600	brillant	transparent	0	316 €
PXV2L/1600	451-160000L-00-02	1580-1630	1500	650	brillant	transparent	0	324 €
PXV2P/1600	451-160000P-00-02	1580-1630	1500	650	brillant	transparent	0	324 €
PXV2L/1700	451-170000L-00-02	1680-1730	1500	700	brillant	transparent	0	333 €
PXV2P/1700	451-170000P-00-02	1680-1730	1500	700	brillant	transparent	0	333 €
PXV2L/1800	451-180000L-00-02	1780-1830	1500	750	brillant	transparent	0	342 €
PXV2P/1800	451-180000P-00-02	1780-1830	1500	750	brillant	transparent	0	342 €

### PXV2L / PXV2P (atypical customized solution)

type	width (y)	height (h)	profile	glass	delivery method
PXV2L(P)2	up to 1800 mm	up to 1500 mm	brillant	transparent	Z

#### ■ PXV2L



#### ■ PXV2P



- Multifunctional towel holder on the fixed glass

functionality and originality  
for everyone



■ PXVB + PXV2P

## PXVB

bath side panel for PXV2L / PXV2P

- safety glass with RothETC treatment
- standard height 1 500 mm



6 mm ESG Tempered glass  
**Transparent O2**



Profile colour  
**Brillant OO**

### PXVB (side panel)

type	ordering No.	installation width (y)	height (h)	profile	glass	delivery method	Price
PXVB/700	452-7000000-00-02	680-705	1500	brillant	transparent	0	144 €
PXVB/750	452-7500000-00-02	730-755	1500	brillant	transparent	0	156 €
PXVB/800	452-8000000-00-02	780-805	1500	brillant	transparent	0	164 €

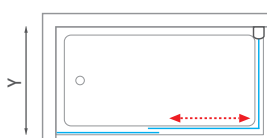


### PXVB (atypical customized solution)

type	width (y)	height (h)	profile	glass	delivery method
PXVB	do 900 mm	up to 1500 mm	brillant	transparent	Z

- **PXVB** - universal LEFT and RIGHT solution

■ PXV2L + PXVB



■ PXVB + PXV2L + PXVB



■ PXVB + PXV2P + PXVB

# Bath screens

practical supplement

polished profiles  
and quality rollers



## LLV2

bath screen with sliding door

- aluminium profiles and ball bearing rollers
- RothETC glass surface treatment
- all installation options:  
along the wall, to a corner or to a niche



5 + 4 mm ESG Tempered glass  
**Transparent O2**  
5 mm door glass + 4 mm fixed panel



Profile colour  
**Brillant OO**



### LLV2 (bath screen with sliding door)

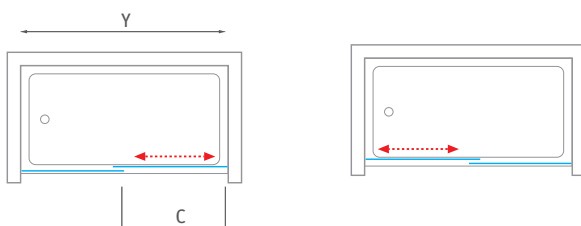
type	ordering No.	installation width (y)	height (h)	entrance (c)	profile	glass	delivery method	Price
LLV2/1200	572-1200000-00-02	1170-1205	1500	485	brillant	transparent	S	331 €
LLV2/1400	572-1400000-00-02	1370-1405	1500	585	brillant	transparent	S	342 €
LLV2/1500	572-1500000-00-02	1470-1505	1500	685	brillant	transparent	S	353 €
LLV2/1600	572-1600000-00-02	1570-1605	1500	685	brillant	transparent	S	364 €

### LLV2 (atypical customized solution)

type	width (y)	height (h)	profile	glass	delivery method
LLV2	up to 1800 mm	up to 1500 mm	brillant	transparent	Z



- LLV2 - universal LEFT and RIGHT solution



- Solid handle underlines the decent design of the series



technical solution  
underlines the style



## LLVB

bath side panel for LLV2

- safety glass with RothETC treatment
- standard height 1 500 mm



5 + 4 mm ESG Tempered glass  
**Transparent O2**  
5 mm door glass + 4 mm fixed panel



Profile colour  
**Brillant OO**

### LLVB (side panel)

type	ordering No.	installation width (y)	height (h)	profile	glass	delivery method	Price
LLVB/700	573-7000000-00-02	679-705	1500	brillant	transparent	S	182 €
LLVB/750	573-7500000-00-02	729-755	1500	brillant	transparent	S	193 €
LLVB/800	573-8000000-00-02	779-805	1500	brillant	transparent	S	204 €
LLVB/900	573-9000000-00-02	879-905	1500	brillant	transparent	S	216 €

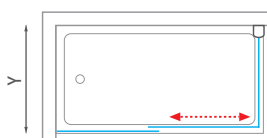


### LLVB (atypical customized solution)

type	width (y)	height (h)	profile	glass	delivery method
LLVB	do 900 mm	up to 1500 mm	brillant	transparent	Z

- **LLVB** - universal LEFT and RIGHT solution

#### ■ LLV2 + LLVB

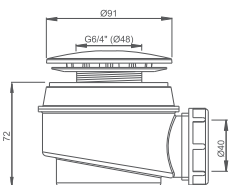


#### ■ LLVB + LLV2 + LLVB

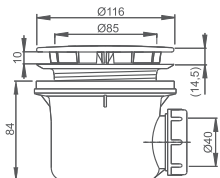


## Accessories for trays and bathtubs

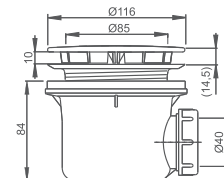
# Shower tray siphons



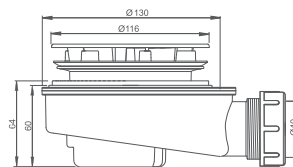
■ chrome-plastic Ø 50/60



■ chrome-plastic Ø 90



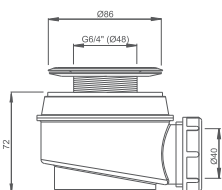
■ metal lux Ø 90



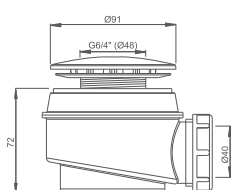
■ reduced chrome plastic Ø 90

### Shower tray siphons

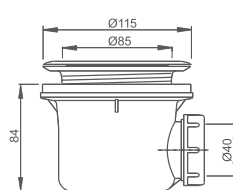
type	ordering No.	delivery method	Price
SHOWER TRAY SIPHON - CHROME-PLASTIC Ø 50/60	8100002	S	12 €
SHOWER TRAY SIPHON - CHROME-PLASTIC Ø 90	8100016	S	19 €
SHOWER TRAY SIPHON - METAL LUX Ø 90	8100021	S	28 €
SHOWER TRAY SIPHON REDUCED - CHROME-PLASTIC Ø 90	8100034	S	19 €
SHOWER TRAY SIPHON - ST. STEEL GRID Ø 50/60	8100000	S	10 €
SHOWER TRAY SIPHON - WHITE PLASTIC Ø 50/60	8100001	S	10 €
SHOWER TRAY SIPHON - ST. STEEL GRID Ø 90	8100014	S	14 €
SHOWER TRAY SIPHON - WHITE PLASTIC Ø 90	8100015	S	16 €



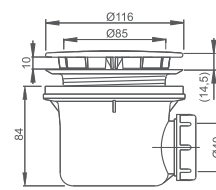
■ st. steel grid Ø 50/60



■ white plastic Ø 50/60

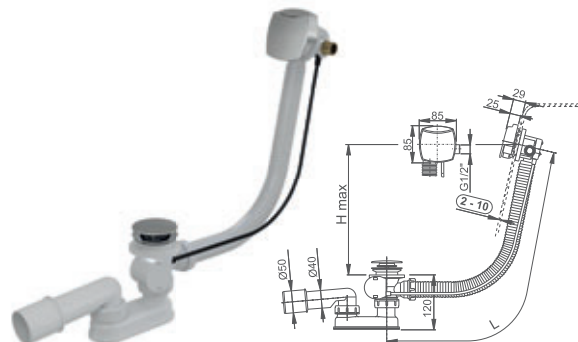
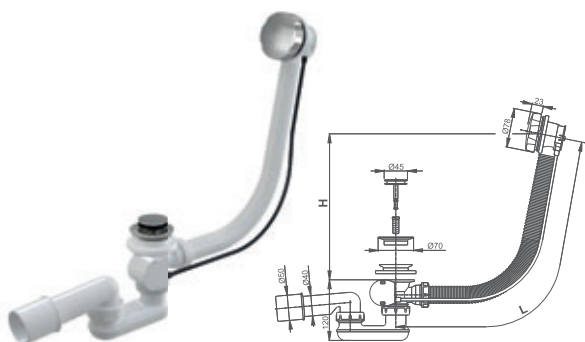


■ st. steel grid Ø 90



■ white plastic Ø 90

# Bathtub siphons



■ automatic bathtub siphon

■ bathtub siphon with an overflow filling

Bathtub siphons			
type	ordering No.	delivery method	Price
BATHTUB SIPHON COMPLETE - METAL (L=570 mm)	8100011	S	30 €
BATHTUB SIPHON WITH AN OVERFLOW FILLING (L=570 mm)	8100022	S	116 €

# Bathtub legs EXCLUSIVE

Used as a supporting element to ensure a simple way to level the bathtub before its underwalling and paneling. Part of the leg package is also a set of mounts for fixing the bathtub to the wall.

**Legs adjustability: 12–18 cm**



Bathtub legs			
type	ordering No.	delivery method	Price
BATHTUB LEGS EXCLUSIVE	5139300	S	18 €

# Mounting kit for shower trays

Tray sealing system recommended by a producer.

**CONTENTS:** silicone sealant PROFI – 310ml  
covering strip 2x100 cm  
self adhesive plastic foam belt  
mounting instructions



Mounting kit			
type	ordering No.	delivery method	Price
MOUNTING KIT FOR TRAYS	8010142	S	28 €

# Special cleaners for surfaces care

Recommended agents for cleaning and renewing the surface of shower trays and bathtubs with regard to their material.  
**SOLID SURFACE CLEANER** - designed for cast marble surfaces  
**ACRYLIC CLEANER** - designed for acrylic shower trays and bathtubs

**VOLUME:** 500 ml



Cleaner for shower trays and bathtubs			
type	ordering No.	delivery method	Price
SOLID SURFACE CLEANER	5139820	S	21 €
ACRYLIC CLEANER	5139830	S	21 €

**Vinata®**  
shower cabins



CORNER



NICHE

# Vinata®

Safe, comfortable and carefree solutions  
for every generation

Vinata is designed specifically for the needs of people who no longer want to repeat the lengthy renovation of the bathroom while still wanting to replace the old bathtub with a safe and easily accessible shower. And all this without demanding construction work.

The cabine is a closed solution, so you just need to build it and connect it to the already established water and waste connection. Quality shower Hansgrohe set is part of the shower cabine.



Mounting  
in 1 day only



High  
safety



Equipment  
Hansgrohe

# Vinata®

comfortable

## Hansgrohe

shower set with  
thermostatic mixer

## RothETC

all glasses  
coated  
for easy  
maintenance

## Design

glass and brilliant  
aluminum finish

## Seat

Large, folding  
and elegantly designed  
for maximum comfort

## Handles

massive and safe  
underline of the whole  
solution

## Safety

anti-slip finish of the tray  
meets the requirements  
of DIN 51097

## Easy access

extra flat shower tray - height 3 cm  
sliding doors with entry width 44.5-69.5 cm \*  
\* according to the size of the complete cabine

## Comfortable and Safe

shower cabine, which will appreciate not only seniors



### Installation

- Corner or niche installation options
- Possibility to install the tray directly on the tiles (floor)
- Supporting adjustable legs are included, including a cover system



## Vinata® Comfort

- Complete shower cabine with sliding doors
- Height - 2160 mm
- Width - 4 variants from 1200 to 1700 mm
- Depth - 3 variants from 700 to 900 mm
- Cast marble tray with certified non-slip finish and low step on edge (30 mm)
- Hansgrohe shower set - thermostatic faucet, height-adjustable holder, hand shower, shelf
- Solid Safe Handle 2 pcs (for 1 200 mm - 1 piece)
- 6 mm safety glass back panels in two colors White / Anthracite
- 6 mm safety glass sliding door in two designs Transparent / Flow
- All glasses are coated with **RothETC** for better protection against limescale
- As standard: practical footrest shelf ideal for legs or foot care in the shower
- Optional: Arsis seat set with spacious seat in White / Anthracite



■ Glass design FLOW

# Vinata®

comfortable

## Vinata® Spirit

- Complete shower cabine with sliding doors
- Height - 2160 mm
- Width - 4 variants from 1200 to 1700 mm
- Depth - 3 variants from 700 to 900 mm
- Cast marble tray with low step on edge - 30 mm
- Complete Hansgrohe shower set  
thermostatic faucet, height-adjustable holder,  
hand shower, shelf
- Solid Safe Handle 2 pcs  
(for 1200 mm - 1 piece)
- 6 mm safety glass back panels  
in two colors White / Anthracite
- 6 mm safety glass sliding door  
in two designs Transparent / Flow
- All glasses are coated with **RothETC**  
for better protection against limescale



**Comfortable  
shower cabine**  
for the whole  
family



- Glass design FLOW






## Installation



- Corner or niche installation options
- Possibility to install the tray directly on the tiles (floor)
- Supporting adjustable legs are included, including  
a cover system





Specifications	Comfort	Spirit
Glass sliding door in Transparent or Flow design	✓	✓
Back glass walls in White or Anthracite	✓	✓
Sliding doors and rear walls treated with anti-scale RothETC	✓	✓
All glasses made from safety glass ESG - thickness 6 mm	✓	✓
Cast marble tray with low step on edge - 30 mm	✓	✓
Shower tray surface with certified anti-slip finish	✓	-
Solid internal handles in chrome finish 2 pcs (for model 1 200 mm - 1 piece)	✓	-
Shower set with thermostatic faucet Cromo Select E 	✓	✓
Options for installation in a corner or for installation in a niche	✓	✓
3 variants of width from 1200 to 1700 mm	✓	✓
3 variants of depth from 700 to 900 mm	✓	✓
"Footrest" shelf Pellet 	✓	-
Foldable shower seat - optional 	✓*	-

\* must be ordered separately

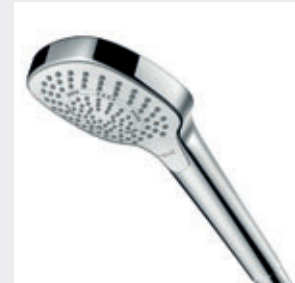


# Vinata®

## equipment / accessories

### Complete Hansgrohe shower set

- Hand shower, shower thermostat, shower hose, slider, soap shelf
- Hand shower Croma Select E
- Adjustable head shower angle, current type - Rain
- Thermostat Ecostat Universal
- Safety lock at 40 ° C



### Handles

- Elegant and design shape
- Elliptical tube for better grip (38 × 25 mm)
- Corrosion resistant
- The primary material is aluminum in brilliant finishing

### Practical shelf

- Ideal for taking care of your legs or feet in the shower: no risk of slipping!
- It can be easily released to allow mounting of the ARSIS seat
- Multifunctional: also used for hygiene products
- Made of White / Anthracite polymer



### ARSIS seat

- Cast 450 mm White or Anthracite Polymer Seat
- Aluminum construction (tube Ø 25 mm)  
Locking position, lock resistant to unintentional movement
- Can be disconnected from the wall holder for easy cleaning
- Innovative and unique product:  
can be released to allow the shelf to be mounted
- Large seat with elegant design for maximum comfort
- An ideal concept for conversion of shower into a safe area



# Vinata® Comfort - corner

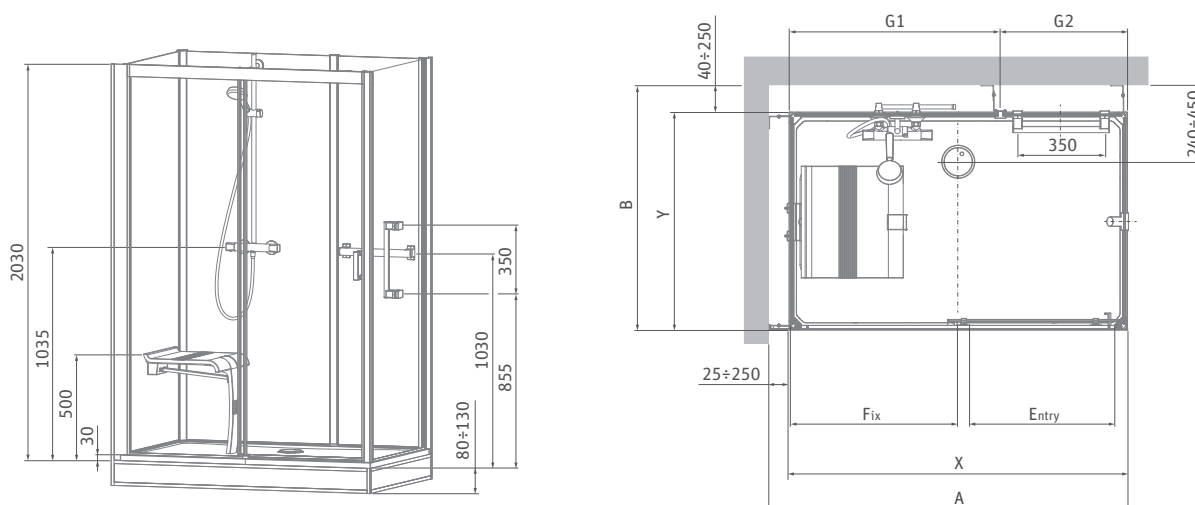
## Technical specifications + price list



### ■ Technical specification Vinata® Comfort - corner

Height* [mm]	Dimension [mm]	ESG back Walls - White Sliding Door - Transparent		ESG back Walls - White Sliding Door - Flow		ESG back Walls - Anthracite Sliding Door - Transparent		ESG back Walls - Anthracite Sliding Door - Flow	
		Ordering number	Price (without VAT)	Ordering number	Price (without VAT)	Ordering number	Price (without VAT)	Ordering number	Price (without VAT)
2160	1160 × 677	1416000297	3 046 €	1416000764	3 082 €	1416000299	3 046 €	1416000765	3 082 €
2160	1160 × 777	1416000301	3 136 €	1416000766	3 172 €	1416000303	3 136 €	1416000767	3 172 €
2160	1160 × 877	1416000305	3 226 €	1416000768	3 262 €	1416000307	3 226 €	1416000769	3 262 €
2160	1360 × 677	1416000309	3 148 €	1416000770	3 184 €	1416000311	3 148 €	1416000771	3 184 €
2160	1360 × 777	1416000313	3 238 €	1416000772	3 274 €	1416000315	3 238 €	1416000773	3 274 €
2160	1360 × 877	1416000013	3 329 €	1416000774	3 365 €	1416000016	3 329 €	1416000775	3 365 €
2160	1560 × 677	1416000317	3 332 €	1416000776	3 368 €	1416000319	3 332 €	1416000777	3 368 €
2160	1560 × 777	1416000321	3 422 €	1416000778	3 458 €	1416000323	3 422 €	1416000779	3 458 €
2160	1560 × 877	1416000325	3 512 €	1416000780	3 548 €	1416000327	3 512 €	1416000781	3 548 €
2160	1660 × 677	1416000329	3 422 €	1416000782	3 458 €	1416000331	3 422 €	1416000783	3 458 €
2160	1660 × 777	1416000333	3 512 €	1416000784	3 548 €	1416000335	3 512 €	1416000785	3 548 €
2160	1660 × 877	1416000337	3 602 €	1416000786	3 638 €	1416000339	3 602 €	1416000787	3 638 €

\* from the bottom of the tray to the top of the shower



Dimension	X	Y	E	F	G1	G2	A	B
1160 × 677	1160	677	445	475	1160	-	1185-1410	717-927
1360 × 677	1360	677	545	675	850	510	1385-1610	717-927
1560 × 677	1560	677	645	875	850	710	1585-1810	717-927
1660 × 677	1660	677	695	975	850	810	1685-1910	717-927
1160 × 777	1160	777	445	475	1160	-	1185-1410	817-1027
1360 × 777	1360	777	545	675	850	510	1385-1610	817-1027
1560 × 777	1560	777	645	875	850	710	1585-1810	817-1027
1660 × 777	1660	777	695	975	850	810	1685-1910	817-1027
1160 × 877	1160	877	445	475	1160	-	1185-1410	917-1127
1360 × 877	1360	877	545	675	850	510	1385-1610	917-1127
1560 × 877	1560	877	645	875	850	710	1585-1810	917-1127
1660 × 877	1660	877	695	975	850	810	1685-1910	917-1127

# Vinata® Comfort - niche

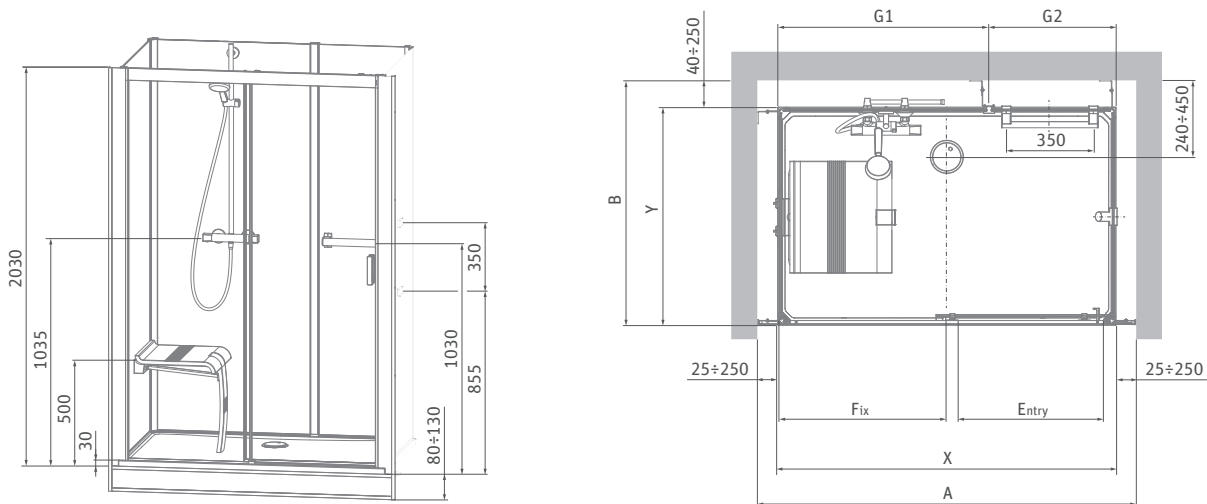
## Technical specifications + price list



### ■ Technical specification Vinata® Comfort - niche

Height* [mm]	Dimension [mm]	ESG back Walls - White Sliding Door - Transparent		ESG back Walls - White Sliding Door - Flow		ESG back Walls - Anthracite Sliding Door - Transparent		ESG back Walls - Anthracite Sliding Door - Flow	
		Ordering number	Price (without VAT)	Ordering number	Price (without VAT)	Ordering number	Price (without VAT)	Ordering number	Price (without VAT)
2160	1160 × 677	1416000341	3 106 €	1416000788	3 142 €	1416000343	3 106 €	1416000789	3 142 €
2160	1160 × 777	1416000345	3 196 €	1416000790	3 232 €	1416000347	3 196 €	1416000791	3 232 €
2160	1160 × 877	1416000349	3 286 €	1416000792	3 323 €	1416000351	3 286 €	1416000793	3 323 €
2160	1360 × 677	1416000353	3 208 €	1416000794	3 244 €	1416000355	3 208 €	1416000795	3 244 €
2160	1360 × 777	1416000357	3 298 €	1416000796	3 335 €	1416000359	3 298 €	1416000797	3 335 €
2160	1360 × 877	1416000361	3 389 €	1416000798	3 425 €	1416000363	3 389 €	1416000799	3 425 €
2160	1560 × 677	1416000365	3 392 €	1416000800	3 428 €	1416000367	3 392 €	1416000801	3 428 €
2160	1560 × 777	1416000369	3 482 €	1416000802	3 518 €	1416000371	3 482 €	1416000803	3 518 €
2160	1560 × 877	1416000373	3 572 €	1416000804	3 608 €	1416000375	3 572 €	1416000805	3 608 €
2160	1660 × 677	1416000377	3 482 €	1416000806	3 518 €	1416000379	3 482 €	1416000807	3 518 €
2160	1660 × 777	1416000381	3 572 €	1416000808	3 608 €	1416000383	3 572 €	1416000809	3 608 €
2160	1660 × 877	1416000385	3 662 €	1416000810	3 698 €	1416000387	3 662 €	1416000811	3 698 €

\* from the bottom of the tray to the top of the shower



Dimension	X	Y	E	F	G1	G2	A	B
1160 × 677	1160	677	445	475	1160	-	1210-1660	717-927
1360 × 677	1360	677	545	675	850	510	1410-1860	717-927
1560 × 677	1560	677	645	875	850	710	1610-2060	717-927
1660 × 677	1660	677	695	975	850	810	1710-2160	717-927
1160 × 777	1160	777	445	475	1160	-	1210-1660	817-1027
1360 × 777	1360	777	545	675	850	510	1410-1860	817-1027
1560 × 777	1560	777	645	875	850	710	1610-2060	817-1027
1660 × 777	1660	777	695	975	850	810	1710-2160	817-1027
1160 × 877	1160	877	445	475	1160	-	1210-1660	917-1127
1360 × 877	1360	877	545	675	850	510	1410-1860	917-1127
1560 × 877	1560	877	645	875	850	710	1610-2060	917-1127
1660 × 877	1660	877	695	975	850	810	1710-2160	917-1127

# Vinata<sup>®</sup> Spirit - corner

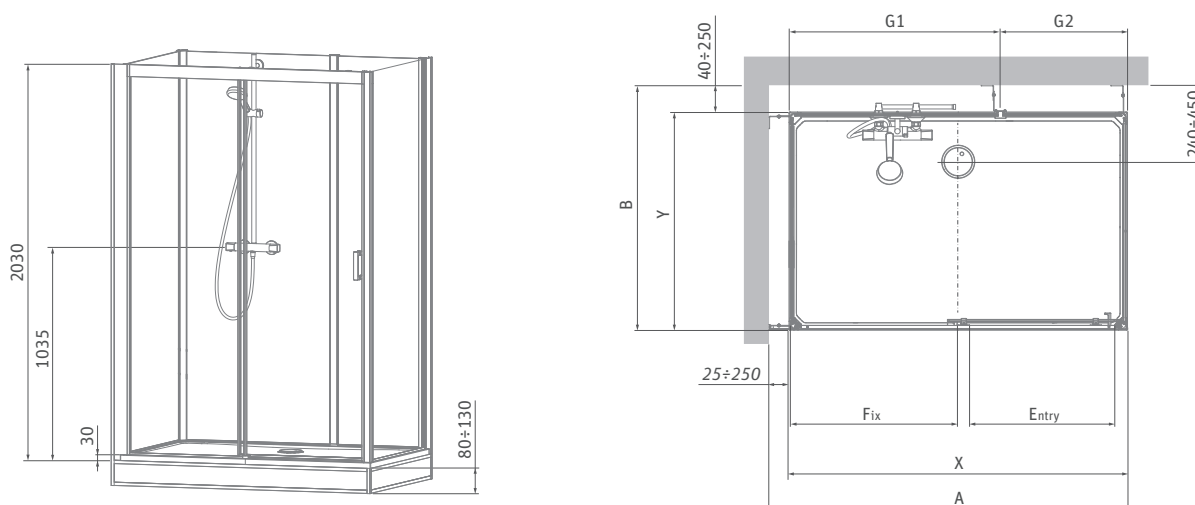
## Technical specifications + price list



### ■ Technical specification Vinata<sup>®</sup> Spirit - corner

Height* [mm]	Dimension [mm]	ESG back Walls - White Sliding Door - Transparent		ESG back Walls - White Sliding Door - Flow		ESG back Walls - Anthracite Sliding Door - Transparent		ESG back Walls - Anthracite Sliding Door - Flow	
		Ordering number	Price (without VAT)	Ordering number	Price (without VAT)	Ordering number	Price (without VAT)	Ordering number	Price (without VAT)
2160	1160 × 677	1416000003	2 511 €	1416000620	2 547 €	1416000005	2 511 €	1416000621	2 547 €
2160	1160 × 777	1416000007	2 601 €	1416000622	2 637 €	1416000009	2 601 €	1416000623	2 637 €
2160	1160 × 877	1416000021	2 691 €	1416000624	2 727 €	1416000023	2 691 €	1416000625	2 727 €
2160	1360 × 677	1416000025	2 613 €	1416000626	2 649 €	1416000027	2 613 €	1416000627	2 649 €
2160	1360 × 777	1416000029	2 703 €	1416000628	2 739 €	1416000031	2 703 €	1416000629	2 739 €
2160	1360 × 877	1416000010	2 793 €	1416000630	2 829 €	1416000012	2 793 €	1416000631	2 829 €
2160	1560 × 677	1416000033	2 796 €	1416000632	2 832 €	1416000035	2 796 €	1416000633	2 832 €
2160	1560 × 777	1416000037	2 887 €	1416000634	2 923 €	1416000039	2 887 €	1416000635	2 923 €
2160	1560 × 877	1416000041	2 977 €	1416000636	3 013 €	1416000043	2 977 €	1416000637	3 013 €
2160	1660 × 677	1416000045	2 887 €	1416000638	2 923 €	1416000047	2 887 €	1416000639	2 923 €
2160	1660 × 777	1416000049	2 977 €	1416000640	3 013 €	1416000051	2 977 €	1416000641	3 013 €
2160	1660 × 877	1416000053	3 067 €	1416000642	3 103 €	1416000055	3 067 €	1416000643	3 103 €

\* from the bottom of the tray to the top of the shower



Dimension	X	Y	E	F	G1	G2	A	B
1160 × 677	1160	677	445	475	1160	-	1185-1410	717-927
1360 × 677	1360	677	545	675	850	510	1385-1610	717-927
1560 × 677	1560	677	645	875	850	710	1585-1810	717-927
1660 × 677	1660	677	695	975	850	810	1685-1910	717-927
1160 × 777	1160	777	445	475	1160	-	1185-1410	817-1027
1360 × 777	1360	777	545	675	850	510	1385-1610	817-1027
1560 × 777	1560	777	645	875	850	710	1585-1810	817-1027
1660 × 777	1660	777	695	975	850	810	1685-1910	817-1027
1160 × 877	1160	877	445	475	1160	-	1185-1410	917-1127
1360 × 877	1360	877	545	675	850	510	1385-1610	917-1127
1560 × 877	1560	877	645	875	850	710	1585-1810	917-1127
1660 × 877	1660	877	695	975	850	810	1685-1910	917-1127

# Vinata® Spirit - niche

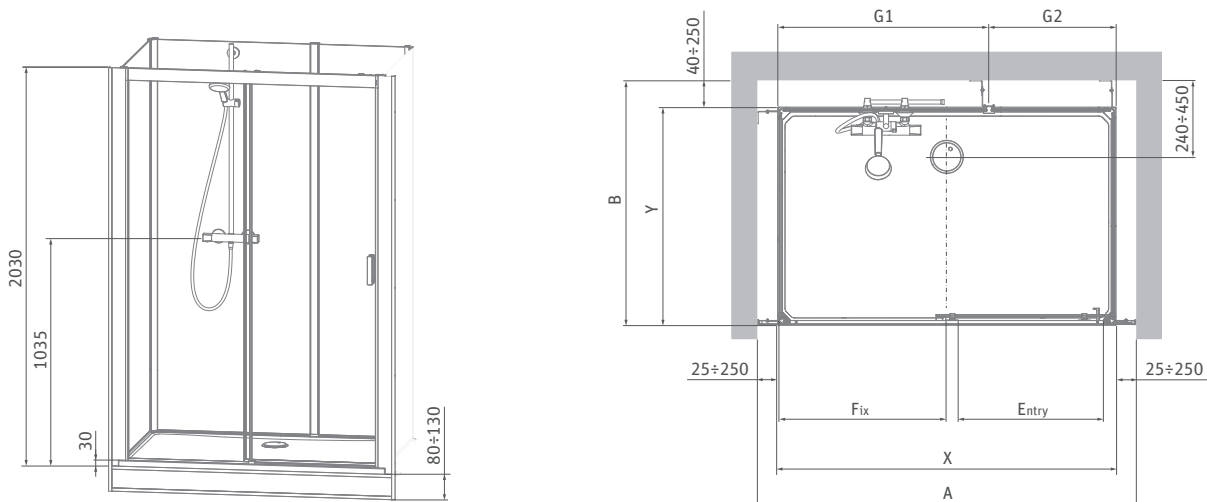
## Technical specifications + price list



### ■ Technical specification Vinata® Spirit - niche

Height* [mm]	Dimension [mm]	ESG back Walls - White Sliding Door - Transparent		ESG back Walls - White Sliding Door - Flow		ESG back Walls - Anthracite Sliding Door - Transparent		ESG back Walls - Anthracite Sliding Door - Flow	
		Ordering number	Price (without VAT)	Ordering number	Price (without VAT)	Ordering number	Price (without VAT)	Ordering number	Price (without VAT)
2160	1160 × 677	1416000057	2 571 €	1416000644	2 607 €	1416000059	2 571 €	1416000645	2 607 €
2160	1160 × 777	1416000061	2 661 €	1416000646	2 697 €	1416000063	2 661 €	1416000647	2 697 €
2160	1160 × 877	1416000065	2 751 €	1416000648	2 787 €	1416000067	2 751 €	1416000649	2 787 €
2160	1360 × 677	1416000069	2 673 €	1416000650	2 709 €	1416000071	2 673 €	1416000651	2 709 €
2160	1360 × 777	1416000073	2 763 €	1416000652	2 799 €	1416000075	2 763 €	1416000653	2 799 €
2160	1360 × 877	1416000077	2 853 €	1416000654	2 890 €	1416000079	2 853 €	1416000655	2 890 €
2160	1560 × 677	1416000081	2 856 €	1416000656	2 893 €	1416000083	2 856 €	1416000657	2 893 €
2160	1560 × 777	1416000085	2 947 €	1416000658	2 983 €	1416000087	2 947 €	1416000659	2 983 €
2160	1560 × 877	1416000089	3 037 €	1416000660	3 073 €	1416000091	3 037 €	1416000661	3 073 €
2160	1660 × 677	1416000093	2 947 €	1416000662	2 983 €	1416000095	2 947 €	1416000663	2 983 €
2160	1660 × 777	1416000097	3 037 €	1416000664	3 073 €	1416000099	3 037 €	1416000665	3 073 €
2160	1660 × 877	1416000101	3 127 €	1416000666	3 163 €	1416000103	3 127 €	1416000667	3 163 €

\* from the bottom of the tray to the top of the shower



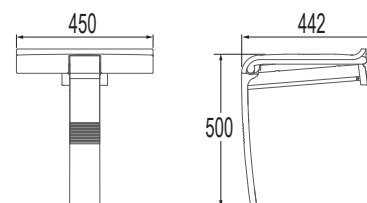
Dimension	X	Y	E	F	G1	G2	A	B
1160 × 677	1160	677	445	475	1160	-	1210-1660	717-927
1360 × 677	1360	677	545	675	850	510	1410-1860	717-927
1560 × 677	1560	677	645	875	850	710	1610-2060	717-927
1660 × 677	1660	677	695	975	850	810	1710-2160	717-927
1160 × 777	1160	777	445	475	1160	-	1210-1660	817-1027
1360 × 777	1360	777	545	675	850	510	1410-1860	817-1027
1560 × 777	1560	777	645	875	850	710	1610-2060	817-1027
1660 × 777	1660	777	695	975	850	810	1710-2160	817-1027
1160 × 877	1160	877	445	475	1160	-	1210-1660	917-1127
1360 × 877	1360	877	545	675	850	510	1410-1860	917-1127
1560 × 877	1560	877	645	875	850	710	1610-2060	917-1127
1660 × 877	1660	877	695	975	850	810	1710-2160	917-1127

# Vinata® Comfort - accessories

## Technical specifications + price list

■ **Technical specifications Vinata® seat**

Vinata® Comfort folding seat Roth			
Color	Dimension	Ordering number	Price (without VAT)
WHITE	442 × 450 × 500	1135009092	373 €
ANTRACITE	442 × 450 × 500	1135009093	373 €



■ **Vinata® seat** - must be ordered separately, available only for **Vinata® Comfort**



**Vipanel**  
cladding panels

Inspiration  
for individual  
bathroom design

# VIPANEL

Roth has been an expert in the bathroom industry for over 50 years and we are pleased to introduce our new VIPANEL wall panels, which easily adjust the shower area and bathroom in both new and refurbished areas.



Easy  
installation



11 different  
decors



Lightweight and durable  
aluminium composite panels





**VIPANEL**

**Make the old shower area a new quickly and easily!**

- > for new construction and reconstruction
- > jointless cladding - easy maintenance
- > gives a new look to old tiles





■ **Roth Vipanel - modern and innovative**

Today's bathrooms are individually oriented towards their users. Whether it's the size of the room, its equipment or the overall look. With the new Roth Vipanel design boards, you can create your resting place easily and precisely by your ideas.

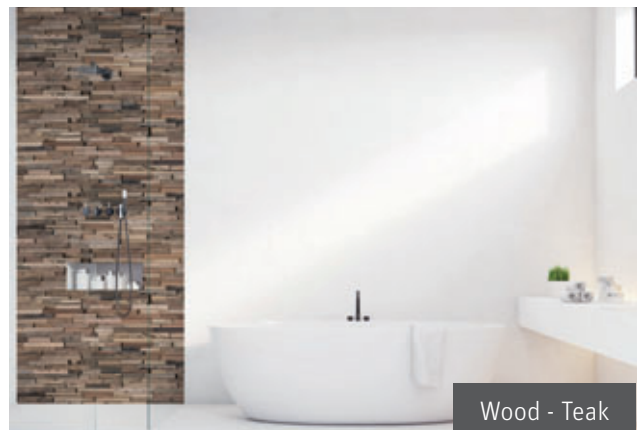
Large-format boards are lightweight and easy to stick to the wall. Whether on existing tiles for modernization and partial renovation, or directly on plaster (plasterboard) in new buildings.

There are no creative limits with Vipanel. So you can easily bring architectural and life trends into your bathroom.



# VIPANEL

cladding panels in wood decor



- easy-care aluminum composite panels guarantee perfect tightness of the walls
- you can choose from three attractive wood decors

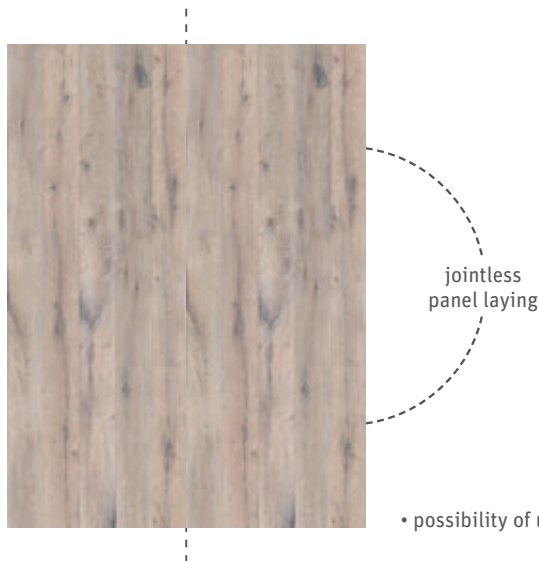
- Vipanel is very easy to clean thanks to its surface finish and in conjunction with jointless panel laying creates a perfectly clean environment for your shower space or the entire bathroom

■ Technical specifications Vipanel WOOD

Width [mm]	Height [mm]	Thickness [mm]	Area [m <sup>2</sup> ]	WOOD OAK E014238-00		WOOD MAPLE E013002-01		WOOD TEAK E016075-01	
				Order No.	Price (without VAT)	Order No.	Price (without VAT)	Order No.	Price (without VAT)
1000	2100	3	2,100	1420000000	226 €	1420000009	226 €	1420000005	226 €
1500	2550	3	3,825	1420000003	308 €	1420000011	308 €	1420000007	308 €

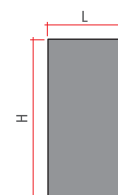
goods IN STOCK

delivery at the earliest possible date



• possibility of using the finishing bars

dimensions:  
(L) 1000 × (H) 2100 mm  
(L) 1500 × (H) 2550 mm



board thickness 3 mm



Wood - Oak

Wood - Maple

Wood - Teak



# VIPANEL

cladding panels in stone decor



Stone - Grey



Stone - Beige



Stone - Black

- with concrete decors you can easily replace large-format tiles
- we emphasize the design of patterns and surface textures that are indistinguishable from real materials thanks to special 3D technology

■ Technical specifications Vipanel STONE

Width [mm]	Height [mm]	Thickness [mm]	Area [m <sup>2</sup> ]	STONE BEIGE E017035-00		STONE GREY E017035-02		STONE BLACK E017088-05	
				Order No.	Price (without VAT)	Order No.	Price (without VAT)	Order No.	Price (without VAT)
1000	2100	3	2,100	1420000037	226 €	1420000033	226 €	1420000041	226 €
1500	2550	3	3,825	1420000039	308 €	1420000035	308 €	1420000043	308 €

goods IN STOCK

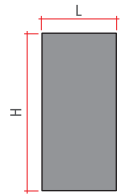
delivery at the earliest possible date



jointless  
panel laying

• possibility of using the finishing bars

dimensions:  
(L) 1000 × (H) 2100 mm  
(L) 1500 × (H) 2550 mm



board thickness 3 mm



Stone - Beige

Stone - Grey

Stone - Black

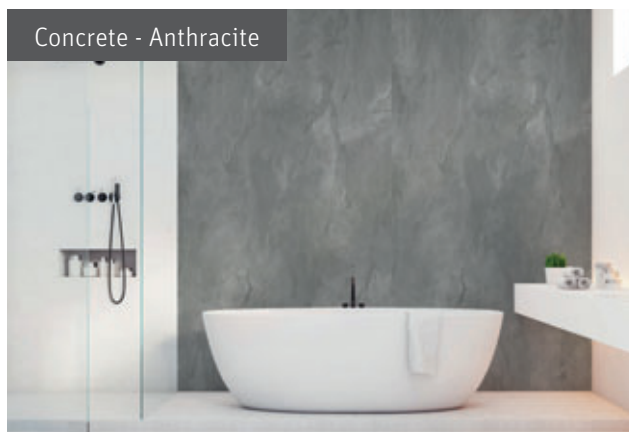


# VIPANEL

cladding panels in concrete decor



Concrete - Black



Concrete - Anthracite



Concrete - Grey

- the modern screed design can be easily transferred to your bathroom, with a choice of three shades
- Vipanel easily adapts to all bathroom configurations and offers a clean and jointless design thanks to installation with no profile

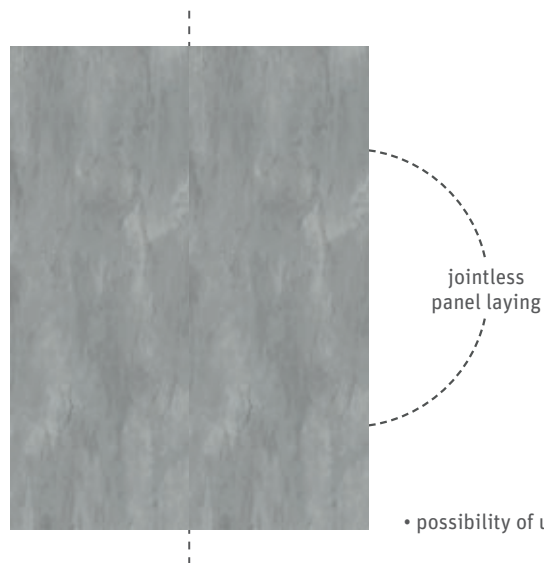


■ Technical specifications Vipanel CONCRETE

Width [mm]	Height [mm]	Thickness [mm]	Area [m <sup>2</sup> ]	CONCRETE BLACK E016076-02		CONCRETE ANTHRACITE E016077-01		CONCRETE GREY E014140-00	
				Order No.	Price (without VAT)	Order No.	Price (without VAT)	Order No.	Price (without VAT)
1000	2100	3	2,100	1420000029	226 €	1420000025	226 €	1420000021	226 €
1500	2550	3	3,825	1420000031	308 €	1420000027	308 €	1420000023	308 €

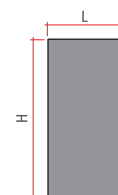
goods IN STOCK

delivery at the earliest possible date



• possibility of using the finishing bars

dimensions:  
(L) 1000 × (H) 2100 mm  
(L) 1500 × (H) 2550 mm



board thickness 3 mm



Concrete - Black



Concrete - Anthracite



Concrete - Grey



# VIPANEL

cladding panels in marble decor



Marble - Beige



Marble - White

- construction boards have a thickness of three millimetres and are available in heights of 2100 and 2550 millimetres and widths of 1000 and 1500 millimetres
- the dimensions are easy to cut to any size, giving you a distinctive look of your bathroom
- by installation in a corner shower, niche, space above the bathtub, behind a shower or sink you will save your time and money

■ Technical specifications Vipanel MARBLE

Width [mm]	Height [mm]	Thickness [mm]	Area [m <sup>2</sup> ]	MARBLE BEIGE E017004-01		MARBLE WHITE E13073-00	
				Order No.	Price (without VAT)	Order No.	Price (without VAT)
1000	2100	3	2,100	1420000017	226 €	1420000013	226 €
1500	2550	3	3,825	1420000019	308 €	1420000015	308 €

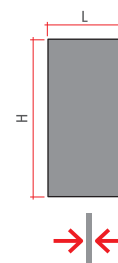
goods IN STOCK

delivery at the earliest possible date



• possibility of using the finishing bars

dimensions:  
(L) 1000 × (H) 2100 mm  
(L) 1500 × (H) 2550 mm



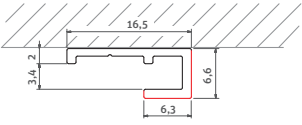
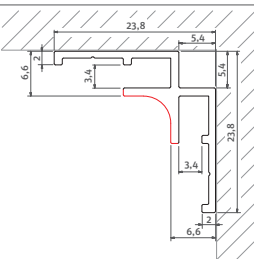
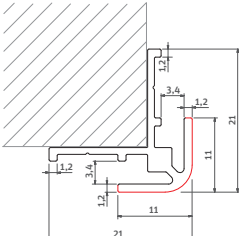
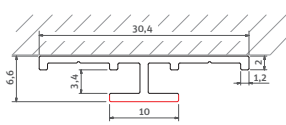

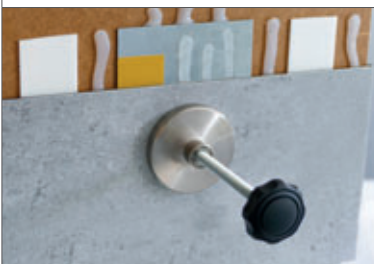
board thickness 3 mm

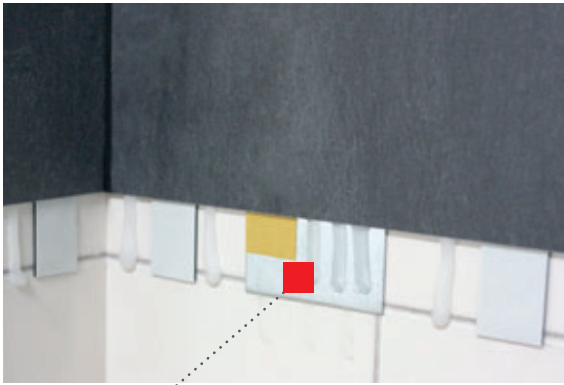
Marble - Beige                      Marble - White



# Vipanel

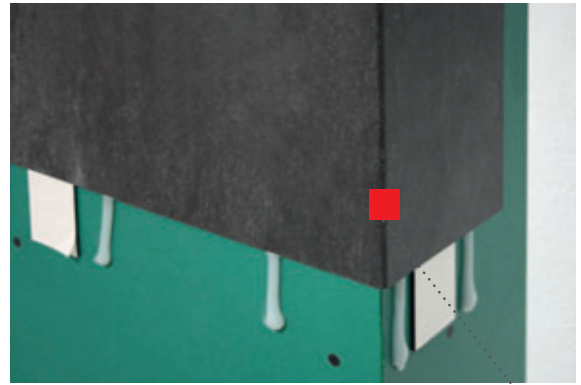
## accessories

	Description	Dimensions	Colour	Accessories	
				Order No.	Price (without VAT)
<p><b>1</b></p> 	<p><b>Finishing profile</b> for 3 mm thick panels</p>	<p>height (length) 2550 mm</p>	<p>Gloss "brillant"</p>	<p>PM FIN 2550 03 V</p>	<p>20 €</p>
<p><b>2</b></p> 	<p><b>Inner corner profile</b> 90° angle for 3 mm thick panels</p>	<p>height (length) 2550 mm</p>	<p>Gloss "brillant"</p>	<p>PM INT 2550 03 V</p>	<p>20 €</p>
<p><b>3</b></p> 	<p><b>Outer corner profile</b> 90° angle for 3 mm thick panels</p>	<p>height (length) 2550 mm</p>	<p>Gloss "brillant"</p>	<p>PM EXT 2550 03 V</p>	<p>20 €</p>
<p><b>4</b></p> 	<p><b>Connecting profile</b> for 3 mm thick panels</p>	<p>height (length) 2550 mm</p>	<p>Gloss "brillant"</p>	<p>PM LIA 2550 03 V</p>	<p>20 €</p>
	<p><b>Connecting steel plate</b> a tool for ensuring a perfect jointless connection of two boards without the connection profile</p>	<p>height (length) 3000 mm</p> <p>width 100 mm</p> <p>thickness 1 mm</p>	<p>natural</p>	<p>1420000050</p>	<p>43 €</p>
	<p><b>Magnetic clip</b> a tool for ensuring a perfect jointless connection of two boards using a steel plate</p>	<p>—</p>	<p>—</p>	<p>1420000049</p>	<p>63 €</p>



### Connecting steel plate

a tool for ensuring a perfect jointless connection of two boards



### Outer edge

created after milling the V-shaped groove on the back of the board

### Inner corner profile

2

### Connecting profile

4



1

### Finishing profile

3

### Outer corner profile

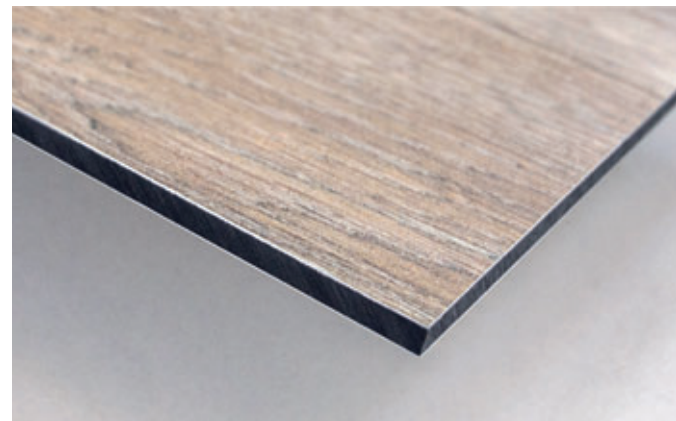
Technical data sheet Vipanel

### Material

- Aluminum composite panel with two 0.2 mm thick cladding layers and LDPE polyethylene core
- Weight 3,80 kg / m<sup>2</sup> (3 mm)
- Temperature resistance from -50° C to +80° C
- Water absorption 0,01 % according to DIN 53495
- Fire classification class B2 according to DIN 4102-1
- High bending strength and dimensional stability

### Working

Roth Vipanel can be machined using the usual tools for working with wood and metal (jigsaw, circular saw, cordless screwdriver with steel drill, top cutter, etc.)



WATERPROOF

DIN 53495



RESISTANCE

DIN 68861

### Technical data / Mechanical properties

board thickness (total)	3 [mm]
thickness of cladding layer (aluminum)	0,2 - 0,3 [mm]
bending strength	865 [kNcm <sup>2</sup> /m]
modulus of elasticity	70 000 [N/mm <sup>2</sup> ]
linear expansion coefficient	2,4 [mm/m/100°C]
water absorption according to DIN 53495	0,01 [%]
weight	3,8 [kg/m <sup>2</sup> ]
tensile strength of the cover plate	RP 0,2 > 200 [N/mm <sup>2</sup> ]

# Project Line project solutions

inspiration for unusual  
shower area solutions

## EI TWF

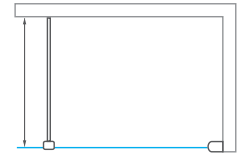
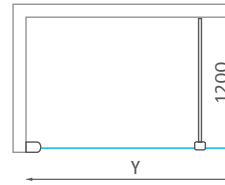
large frameless shower screen



6 mm ESG Tempered glass  
Transparent



Profile colour  
Brillant



■ universal LEFT and RIGHT solution

### EI TWF (large frameless shower screen)

type	ordering No.	installation width (y)	height (h)	entrance (c)	profile	glass	delivery method	Price
EI TWF/800	EI TWF 08020 VPE	770-790	2007*	—	brillant	transparent	S	180 €
EI TWF/900	EI TWF 09020 VPE	870-890	2007*	—	brillant	transparent	S	200 €
EI TWF/1000	EI TWF 10020 VPE	970-990	2007*	—	brillant	transparent	S	220 €
EI TWF/1200	EI TWF 12020 VPE	1170-1190	2007*	—	brillant	transparent	S	240 €
EI TWF/1400	EI TWF 14020 VPE	1370-1390	2007*	—	brillant	transparent	S	280 €

h\* - height including supporting elements



■ EI TWF



■ Support bar in Chrom / Brillant finish  
(maximum length 1 200 mm)



■ Flexible support bar allows the setting of different angles and can solve the wall inaccuracies

# EI TWA

folding part to product EI TWF



the short folding part serves as a screen against water splashes



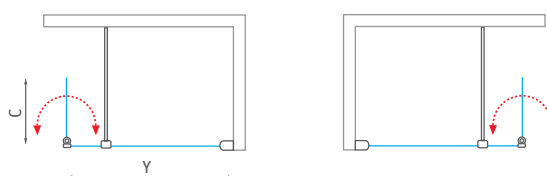
# EI TWP

telescopic strut for mounting to the ceiling



■ Telescopic stabilizing element mounted to the ceiling designed for the EI TWF shower screen - maximum strut height 3 000 mm

■ EI TWF + EI TWA - universal LEFT and RIGHT solution



6 mm ESG Tempered glass  
**Transparent**



Profile colour  
**Brillant**

## EI TWA / EI TWP

type	ordering No.	installation width (y)	height (h)	profile	glass	delivery method	Price
EI TWA/400	EI TWA 04020 VPE	390	2000	brillant	transparent	S	100 €
EI TWP	EI TWP 3000 VE	—	max 3000 mm	brillant	—	S	60 €



The EI TWP telescopic strut can also be used for self standing side panels with 6 mm safety glass - we therefore recommend it in combination with the following products: TBD, TBS, PXV1

## Project Line

project solutions

# AUSTIN

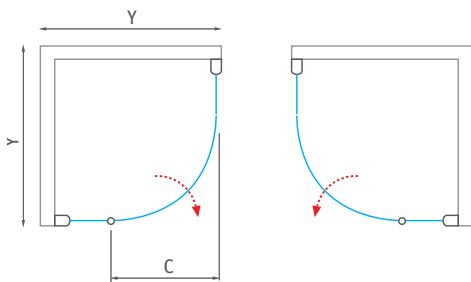
quadrant shower enclosure  
with single opening door



6 mm ESG Tempered glass  
**Pattern**



Profile colour  
**Silver**



# DENVER

quadrant shower enclosure  
with single opening door



6 mm ESG Tempered glass  
**Rauch**



Profile colour  
**Silver**



- R - standard radius R550
- Universal LEFT and RIGHT solution

AUSTIN / DENVER								
type	ordering No.	installation width (y)	height (h)	entrance width (c)	profile	glass	delivery method	Price
AUSTIN 800	N0128	780-800	1950	590	silver	pattern	S	224 €
AUSTIN 900	N0018	880-900	1950	590	silver	pattern	S	244 €
DENVER 800	N0268	780-800	1950	590	silver	rauch	S	236 €
DENVER 900	N0269	880-900	1950	590	silver	rauch	S	256 €





# Project Line

project solutions

## ALBIS

quadrant shower enclosure with two sliding doors

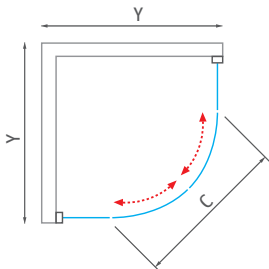


5 mm ESG Tempered glass  
**Transparent**



Profile colour  
**Brillant**

- R - standard radius R550
- Ball bearing rollers with bottom tilt function



## PORTLAND NEO

quadrant shower enclosure with two sliding doors  
for combination with SEMIDEEP NEO or VIKI LUX shower trays



4 mm ESG Tempered glass  
**Matt Glass**



Profile colour  
**Brillant**

- R - standard radius R550
- Ball bearing rollers with bottom tilt function



### HOUSTON NEO / PORTLAND NEO

type	ordering No.	installation width (y)	height (h)	entrance (c)	profile	glass	delivery method	Price
ALBIS 800	N0776	770-790	1900	400	brillant	transparent	S	249 €
ALBIS 900	N0777	870-890	1900	524	brillant	transparent	S	265 €
PORTLAND NEO 800	N0656	780-790	1650	420	brillant	matt glass	S	188 €
PORTLAND NEO 900	N0657	880-890	1650	550	brillant	matt glass	S	194 €

## SUNDIS

square shower enclosure with two sliding doors

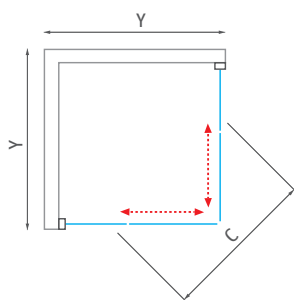


5 mm ESG Tempered glass  
Transparent



Profile colour  
Brillant

- Ball bearing rollers with a bottom tilt function



### SUNDIS

type	ordering No.	installation width (y)	height (h)	entrance (c)	profile	glass	delivery method	Price
SUNDIS 800	N0778	770-790	1900	423	brillant	transparent	S	248 €
SUNDIS 900	N0779	870-890	1900	494	brillant	transparent	S	263 €



# Project Line

project solutions

## MADISON NEO

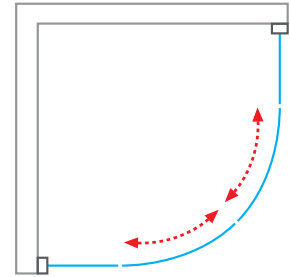
quadrant shower enclosure  
with two sliding doors for combination  
with SEMIDEEP NEO or VIKI LUX shower trays



4 mm ESG Tempered glass  
**Rauch**



Profile colour  
**Brillant**



### MADISON NEO

type	ordering No.	installation width (y)	height (h)	entrance (c)	profile	glass	delivery method	Price
MADISON NEO/800	N0658	780-790	1650	420	brillant	rauch	S	162 €
MADISON NEO/900	N0659	880-890	1650	550	brillant	rauch	S	170 €

Ball bearing rollers with bottom tilt function / Standard radius: R 550 mm



# OBR2

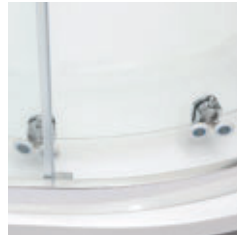
quadrant shower enclosure with two sliding doors



6 mm ESG Tempered glass  
Transparent



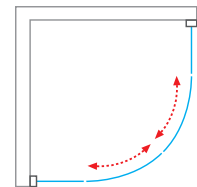
Profile colour  
**Brillant**



## OBR2

type	ordering No.	installation width (y)	height (h)	entrance (c)	profile	glass	delivery method	Price
OBR2/800	4000701	775-790	1850	440	brillant	transparent	S	292 €
OBR2/900	4000702	875-890	1850	540	brillant	transparent	S	315 €

Ball bearing rollers with bottom tilt function / Standard radius: R 550 mm



# OBS2

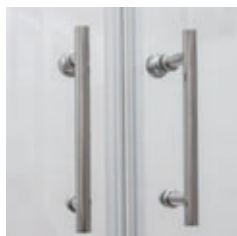
square shower enclosure with two sliding doors



6 mm ESG Tempered glass  
Transparent



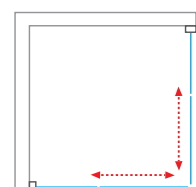
Profile colour  
**Brillant**



## OBS2

type	ordering No.	installation width (y)	height (h)	entrance (c)	profile	glass	delivery method	Price
OBS2/800	4000703	775-790	1850	480	brillant	transparent	S	293 €
OBS2/900	4000704	875-890	1850	480	brillant	transparent	S	318 €

Ball bearing rollers with bottom tilt function



# Project Line

project solutions

## OBD2

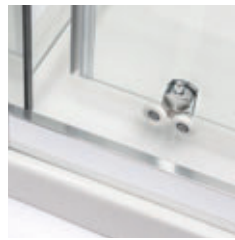
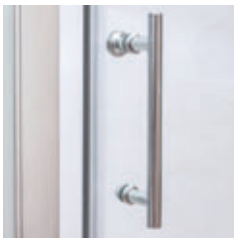
sliding shower door to niche or for combination with a side panel OBB



6 mm ESG Tempered glass  
Transparent



Profile colour  
Brillant



OBD2								
type	ordering No.	installation width (y)	height (h)	entrance (c)	profile	glass	delivery method	Price
OBD2/1000	4000705	980-1010	1850	390	brillant	transparent	S	222 €
OBD2/1200	4000706	1180-1210	1850	490	brillant	transparent	S	248 €
OBD2/1400	4000707	1380-1410	1850	590	brillant	transparent	S	275 €

Ball bearing rollers with bottom tilt function / Universal LEFT and RIGHT solution



## OBD01

single opening door to a niche or for combination with a side panel OBB



4 mm ESG Tempered glass  
Transparent

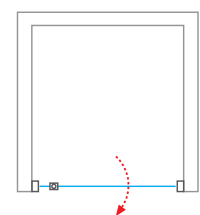


Profile colour  
Brillant



OBD01								
type	ordering No.	installation width (y)	height (h)	entrance (c)	profile	glass	delivery method	Price
OBD01/800	4000708	780-810	1850	520	brillant	transparent	S	208 €
OBD01/900	4000709	880-910	1850	620	brillant	transparent	S	224 €
OBD01/1000	4000710	980-1010	1850	720	brillant	transparent	S	239 €

Universal LEFT and RIGHT solution



# OBB

side panel for combination with OBD2 or OBD01 door



4 mm ESG Tempered glass  
**Transparent**



Profile colour  
**Brillant**

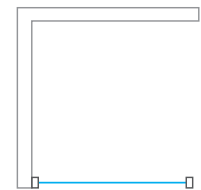
■ Installation width with OBD2 or OBD01

Combination	Installation width
OBD2/1000+OBB	985-1000
OBD2/1200+OBB	1185-1200
OBD2/1400+OBB	1385-1400
OBD01/800+OBB	785-800
OBD01/900+OBB	885-900
OBD01/1000+OBB	985-1000



OBB								
type	ordering No.	installation width (y)	height (h)	entrance (c)	profile	glass	delivery method	Price
OBB/800	4000711	785-800	1850	—	brillant	transparent	S	141 €
OBB/900	4000712	885-900	1850	—	brillant	transparent	S	153 €

Universal LEFT and RIGHT solution / OBB cannot be used as a self-standing side panel



## NEW variants with black profile

## OBZD2 / OBZB

sliding shower door to niche or for combination with a side panel OBZB



# Project Line

project solutions

## OBZD2

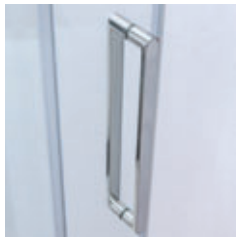
sliding shower door to niche or for combination with a side panel OBZB



8 mm ESG Tempered glass  
Transparent

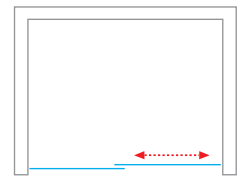


Profile colour  
Brillant / Black elox 05



OBZD2								
type	ordering No.	installation width (y)	height (h)	entrance (c)	profile	glass	delivery method	Price
OBZD2/1200	4000713	1180-1220	1950	490	brillant	transparent	S	332 €
OBZD2/1200	4000800	1180-1220	1950	490	black elox	transparent	S	376 €
OBZD2/1400	4000714	1380-1420	1950	590	brillant	transparent	S	364 €
OBZD2/1400	4000801	1380-1420	1950	590	black elox	transparent	S	412 €

Universal LEFT and RIGHT solution



## OBZB

side panel for combination with OBZD2



8 mm ESG Tempered glass  
Transparent



Profile colour  
Brillant / Black elox 05

■ Installation width with OBZD2

Combination	Installation width
OBZD2/1200+OBZB	1190-1210
OBZD2/1400+OBZB	1390-1410



■ OBZD2 + OBZB



OBZB								
type	ordering No.	installation width (y)	height (h)	entrance (c)	profile	glass	delivery method	Price
OBZB/800	4000715	780-800	1950	—	brillant	transparent	S	168 €
OBZB/800	4000802	780-800	1950	—	black elox	transparent	S	188 €
OBZB/900	4000716	880-900	1950	—	brillant	transparent	S	185 €
OBZB/900	4000803	880-900	1950	—	black elox	transparent	S	206 €

Universal LEFT and RIGHT solution / OBZB cannot be used as a self-standing side panel



■ OBZB



## LD3 / LSB

sliding shower door for niche installation  
or for combination with a side panel LSB

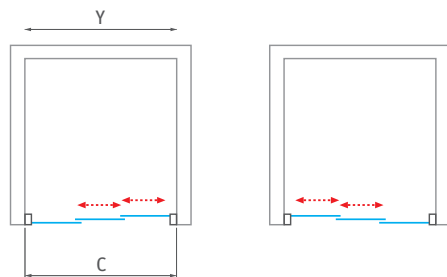


3 mm ESG Tempered glass  
**Grape 11**  
3 mm polystyrol **Damp 04**



Profile colour  
**White 04**

■ **LD3** - universal LEFT and RIGHT solution



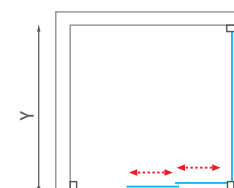
### LD3 (sliding shower door) / LSB (side panel)

type	ordering No.	installation width (y)	height (h)	entrance (c)	profile	glass	delivery method	Price
LD3/800	215-8000000-04-04	760-820	1800	400	white	damp	S	208 €
LD3/800	215-8000000-04-11	760-820	1800	400	white	grape	S	222 €
LD3/900	215-9000000-04-04	880-940	1800	480	white	damp	S	220 €
LD3/900	215-9000000-04-11	880-940	1800	480	white	grape	S	236 €
LD3/950	215-9500000-04-04	940-1000	1800	520	white	damp	S	228 €
LD3/950	215-9500000-04-11	940-1000	1800	520	white	grape	S	278 €
LSB/750	216-7500000-04-04	740-800	1800	—	white	damp	O	104 €
LSB/750	216-7500000-04-11	740-800	1800	—	white	grape	O	127 €
LSB/850	216-8500000-04-04	800-860	1800	—	white	damp	O	118 €
LSB/850	216-8500000-04-11	800-860	1800	—	white	grape	O	142 €
LSB/900	216-9000000-04-04	860-920	1800	—	white	damp	S	131 €
LSB/900	216-9000000-04-11	860-920	1800	—	white	grape	O	158 €

\* LSB cannot be used as a self-standing side panel



■ **LD3 + LSB**



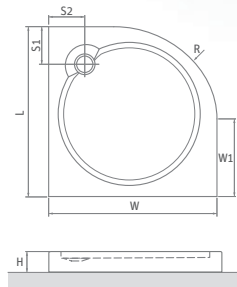
# Project Line

project solutions

## DREAM-P

quadrant self-supporting shower tray  
made of coextruded shell with GREENSIR support

80×80 / 90×90



DREAM-P	L	W	H	S1	S2	W1	R	Ø
800×800	800	800	125	230	170	250	550	60
900×900	900	900	125	230	190	350	550	60



■ DREAM-P shower trays are delivered with a siphon drain

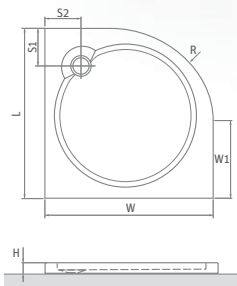
### DREAM-P

type	ordering No.	dimension (mm)	delivery method	Price
DREAM-P 800	8000099	800×800×125, R550	S	120 €
DREAM-P 900	8000030	900×900×125, R550	S	140 €

## DREAM FLAT

FLAT quadrant shower tray made of coextruded shell with GREENSIR support

80×80 / 90×90



DREAM FLAT	L	W	H	S1	S2	W1	R	Ø
800×800	800	800	60	230	170	250	550	60
900×900	900	900	60	230	190	350	550	60



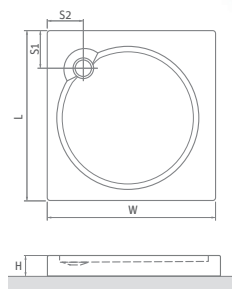
### DREAM FLAT

type	ordering No.	dimension (mm)	delivery method	Price
DREAM FLAT 800	8000284	800×800×60, R550	S	110 €
DREAM FLAT 900	8000285	900×900×60, R550	S	120 €

# ALOHA-P

square self-supporting shower tray  
made of coextruded shell with GREENSIR support

80×80 / 90×90



ALOHA-P	L	W	H	S1	S2	ϕ
800×800	800	800	125	200	195	60
900×900	900	900	125	185	180	60



■ ALOHA-P shower trays are delivered with a siphon drain

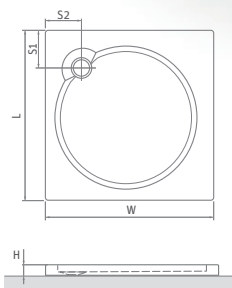
## ALOHA-P

type	ordering No.	dimension (mm)	delivery method	Price
ALOHA-P 800	8000148	800×800×125	S	110 €
ALOHA-P 900	8000149	900×900×125	S	130 €

# ALOHA FLAT

FLAT square shower tray made of coextruded shell with GREENSIR support

80×80 / 90×90



ALOHA FLAT	L	W	H	S1	S2	ϕ
800×800	800	800	60	200	195	60
900×900	900	900	60	185	180	60



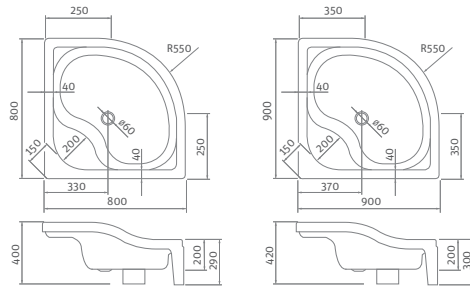
## ALOHA FLAT

type	ordering No.	dimension (mm)	delivery method	Price
ALOHA FLAT 800	8000282	800×800×60	S	110 €
ALOHA FLAT 900	8000283	900×900×60	S	120 €

# SEMIDEEP NEO

semideep quadrant self-supporting shower tray  
reinforced with a GREENSIR technology

80×80 / 90×90



## SEMIDEEP NEO

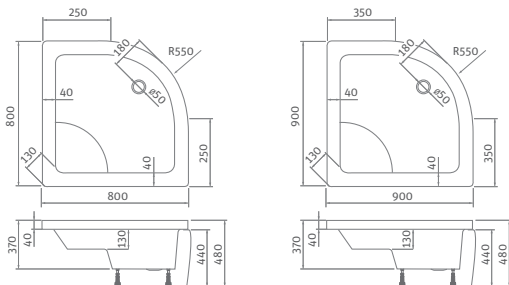
type	ordering No.	dimension (mm)	description	delivery method	Price
SEMIDEEP NEO 800	8000197	800×800×290	self-supporting tray - monobloc	S	182 €
SEMIDEEP NEO 900	8000198	900×900×300	self-supporting tray - monobloc	S	200 €

- Delivered as MONOBLOC (with mounts to the wall)
- The package includes a DREAM-P siphon drain
- Height of tray: 290 (300) mm
- Depth of tray: 200 mm

# VIKI LUX

deep quadrant shower tray  
reinforced with a GREENSIR technology

80×80 / 90×90



## VIKI LUX

type	ordering No.	dimension (mm)	description	delivery method	Price
VIKI LUX 800	8000047	800×800×480	deep tray, adjustable legs,	S	300 €
VIKI LUX 900	8000046	900×900×480	removable front panel	S	320 €
TRAY SIPHON VIKI	8100009	-	siphon with a plastic plug	S	11 €
TRAY SIPHON VIKI LUX	8100033	-	siphon Click Clack - CHROME	S	39 €



# CLASSIC PRO

rectangular acrylic bathtub

150×70 / 160×70 / 170×70



recommended accessories legs  
EXCLUSIVE page 211



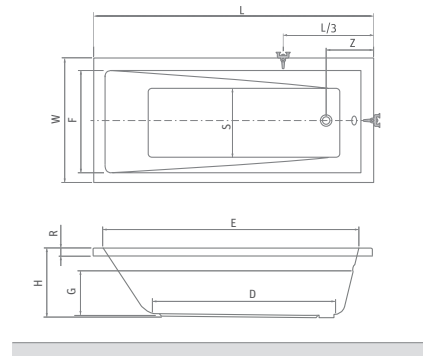
SCREEN, SCREEN PRO



## CLASSIC PRO

type	ordering No.	dimension (mm)	volume (l)	delivery method	Price
CLASSIC PRO 150	9040000	1500×700	150	S	180 €
CLASSIC PRO 160	9050000	1600×700	160	S	188 €
CLASSIC PRO 170	9060000	1700×700	170	S	214 €

CLASSIC PRO	L	W	H	G	D	R	S	E	F	Z
1495×695	1495	695	390	295	1080	35	450	1350	555	235
1595×695	1595	695	395	300	1170	35	440	1435	545	230
1695×695	1695	695	390	295	1240	35	420	1540	540	250



# SALVIA

rectangular acrylic bathtub

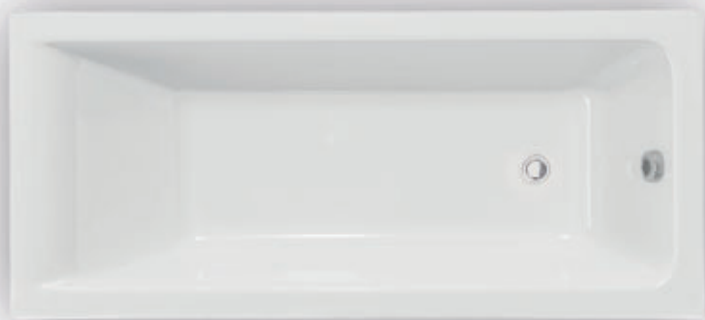
170×75



recommended accessories legs  
EXCLUSIVE page 211



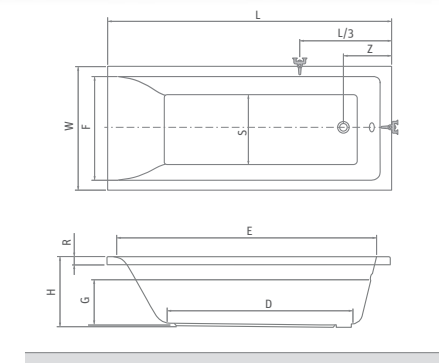
SCREEN, SCREEN PRO



## SALVIA

type	ordering No.	dimension (mm)	volume (l)	delivery method	Price
SALVIA 170	5241000	1700×750	170	S	220 €

SALVIA	L	W	H	G	D	R	S	E	F	Z
1700×750	1700	750	405	315	1210	40	440	1565	615	280



## Project Line project solutions

# TULLIP

asymmetric corner acrylic bathtub

150×100 / 160×100



recommended  
accessories legs  
EXCLUSIVE page 211



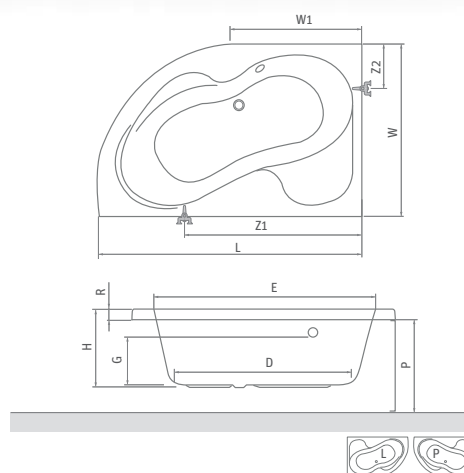
PXV1, SCREEN MINI



### TULLIP

type	ordering No.	dimension (mm)	volume (l)	delivery method	Price
TULLIP 150 (L)	5157000	1500×1000	200	S	228 €
TULLIP 150 (P)	5158000	1500×1000	200	S	228 €
TULLIP 160 (L)	5159000	1600×1000	210	S	230 €
TULLIP 160 (P)	5161000	1600×1000	210	S	230 €
Front PANEL 150 (L)	5157002	height=570	-	S	209 €
Front PANEL 150 (P)	5157001	height=570	-	S	209 €
Front PANEL 160 (L)	5159002	height=570	-	S	217 €
Front PANEL 160 (P)	5159001	height=570	-	S	217 €

TULLIP	L	W	H	G	W1	D	R	P	E	Z1	Z2
1495×995	1495	995	460	330	700	1100	35	570	1390	1050	350
1595×995	1595	995	460	335	700	1200	35	570	1490	1120	350



# SCREEN

bath screen with a both-way opening



6 mm ESG Tempered glass  
Pattern



Profile colour  
White



# SCREEN PRO

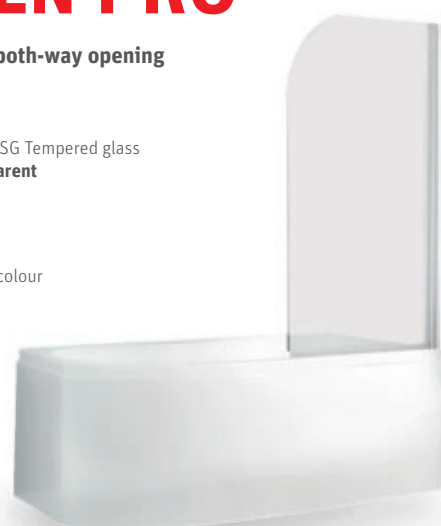
bath screen with a both-way opening



4 mm ESG Tempered glass  
Transparent

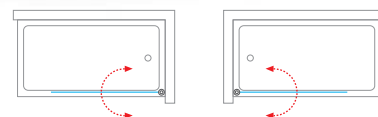


Profile colour  
White



### SCREEN / SCREEN PRO

type	ordering No.	installation width (y)	height (h)	profile	glass	delivery method	Price
SCREEN	4000222	750	1300	bílá	pattern	S	96 €
SCREEN PRO	4000688	810	1400	bílá	transparent	S	90 €



■ Universal LEFT and RIGHT solution

# SIMPLE

basic quadrant model of the shower box



4 mm ESG Tempered glass  
Transparent



Profile colour  
White

- mechanical lever faucet
  - spacing of water supply 150 mm
- sliding doors and shower complete
- self-supporting shower tray with siphon
- rear panels in Green Satinato colour

SIMPLE						
type	ordering No.	dimensions	profile	glass	delivery method	Price
SIMPLE 800	4000248	800×800×2050	white	transparent	S	424 €
SIMPLE 900	4000249	900×900×2050	white	transparent	S	448 €



# SIMPLE SQUARE

basic square model of the shower box



4 mm ESG Tempered glass  
Transparent



Profile colour  
White

- mechanical lever faucet
  - spacing of water supply 150 mm
- sliding doors and shower complete
- self-supporting shower tray with siphon
- rear panels in Green Satinato colour

SIMPLE SQUARE						
type	ordering No.	dimensions	profile	glass	delivery method	Price
SIMPLE SQUARE 800	4000692	800×800×2050	white	transparent	S	454 €
SIMPLE SQUARE 900	4000693	900×900×2050	white	transparent	S	494 €



**!** TECHNICAL SPECIFICATIONS:  
 size for outlet connection: 40mm  
 size for faucet connection: 1/2"  
 water supply pressure: 1,8–3 bar

## Project Line

project solutions

# LANETA

basic quadrant model of the shower box with sliding doors



5 mm ESG Tempered glass  
**Transparent**



Profile colour  
**Black**

- mechanical lever faucet and shower set with adjustable hand shower holder
- top cover with overhead shower, shelf
- sliding doors with bottom tilt function
- shower tray (height 150 mm) with siphon (diameter 90 mm)
- rear panels in White colour

LANETA						
type	ordering No.	dimensions	profile	glass	delivery method	Price
LANETA 900	4000875	900×900×2190	black	transparent	S	508 €



# MARINE

basic square model of the shower box with sliding doors



5 mm ESG Tempered glass  
**Transparent**



Profile colour  
**Black**

- mechanical lever faucet and shower set with adjustable hand shower holder
- top cover with overhead shower, shelf
- sliding doors with bottom tilt function
- shower tray (height 150 mm) with siphon (diameter 90 mm)
- rear panels in White colour

MARINE						
type	ordering No.	dimensions	profile	glass	delivery method	Price
MARINE 900	4000876	900×900×2190	black	transparent	S	514 €



TECHNICAL SPECIFICATIONS:  
size for outlet connection: 40mm  
size for faucet connection: 1/2"  
water supply pressure: 1,8–3 bar



# FLORIDA

1020×220

- shower set, handheld shower
- head shower, rod with sliding holder

# FLORIDA COMBI

1070×220

- shower set with faucet - spacing 150 mm
- handheld shower, head shower
- rod with sliding holder

FLORIDA / FLORIDA COMBI				
type	ordering No.	dimensions	delivery method	Price
FLORIDA	4000321	1020×220	0	99 €
FLORIDA COMBI	4000322	1070×220	0	142 €



# SELMA

1020×221

- shower set, handheld shower
- head shower, rod with sliding holder

# SELMA COMBI

1070×210

- shower set with faucet - spacing 150 mm
- handheld shower, head shower
- rod with sliding holder

SELMA / SELMA COMBI				
type	ordering No.	dimensions	delivery method	Price
SELMA	4000323	1020×210	0	89 €
SELMA COMBI	4000324	1070×210	0	130 €



TECHNICAL SPECIFICATIONS:  
 rsize for faucet connection:  
 water supply pressure:

1/2"  
 1,8–3 bar



# GENERAL INFORMATION

## XXX-XXXXXXX-XX-XX



## ORDERING NUMBER

**723-8000000-01-02**

shower enclosure	TR2/800
finishing	Silver / Transparent

## TERMS AND CONDITIONS

Prices are recommended, set by valid price list for a given period. Delivery times are agreed individually according to the particular business cases. For standard products, delivery times are listed for each type in the table (see explanatory notes).

### Explanatory notes

Delivery method:	
<b>S</b>	items in <b>STOCK</b> - delivery in the earliest possible date
<b>O</b>	items to <b>ORDER</b> - delivery time should not exceed 14 working days
<b>Z</b>	<b>CUSTOMIZED</b> - delivery time should not exceed 30 working days

## MAINTENANCE OF SHOWER ENCLOSURES



Shower enclosures and shower cabins in standard versions are used to prevent splashing water in bathroom spaces. In order to maintain the satisfactory and proper function of it, it is necessary to maintain the products regularly. The maintenance of shower

enclosures is very easy. Shower enclosures and cabins are possible to be maintained by recommended Roth Czech common cleaning detergents which do not include abrasive elements (as sand, grinded marmor etc). These hard elements cause unrecoverable damage to the glass and on the painted surfaces of metal parts. Avoid contact with concentrated acids, high concentration detergents, volatile substances and alcohol as well as detergents with a high rate of chloral, concentrated essences for the bath and different colour concentrates.

It is necessary for the moving parts of shower enclosures to be regularly greased by water adhesive greases (water vaseline or commonly used silicone creams). This is necessary to do in accordance with the frequency and conditions of usage of the shower enclosure. Minimally once or twice per month.

## MAINTENANCE OF ACRYLIC PRODUCTS

Material from which the bathtubs and shower trays are produced is smooth and shiny in the entire structure and thanks to its properties there are very small deposits of microbes and dirt. Therefore we recommend just wiping the bath with a wet cloth using common household detergents. Avoid the use of abrasive elements. Avoid contact with concentrated acids, chloral and materials as alcohol, acetones etc. as well as with concentrates of perfume essences and colour concentrates. Bathtubs and shower trays should never be installed to fixed bricking, the product has to be removable (in upper direction) without any construction impacts!!!

## CONSTRUCTION OF SHOWER ENCLOSURES

Shower enclosures and screens are designed for normal use. For usage by permanently or temporarily disabled people it is necessary to consult with a producer in advance.

## TIGHTNESS OF SHOWER ENCLOSURES

From the perspective of tightness is possible to split products in two categories:



### FRAME SOLUTION

#### ▪ PROXIMA, LEGA, PROJECT

Roth Czech guarantees maximum tightness during normal use of the shower and hydromassage equipment.



### FRAMELESS SOLUTION

#### ▪ HITECH NEO, MELINA, WALK IN, ELEGANT NEO, CARIBA, TOWER, AMBIENT, LIMAYA

Roth Czech guarantees sufficient tightness during normal use of the shower and hydromassage equipment. But does not guarantee the water penetration, if the critical areas are exposed to a continuous direct stream of water.

Maximum weight resistance of bathtubs and shower trays is 0,1kg/1cm<sup>2</sup>

For ideal sealing we recommend the use of Roth Czech assembly set. In the case of manipulation during usage there could be some scratches on the product we recommend to fix them with a very mild water resistant sand paper (density 1000 and higher) and then to polish the area with metal or car polishing substances. Caution: In case you decide to repair a bathtub (tray) by yourself, you do it on your own responsibility!

## I) Guarantee period:

Guarantee period starts on the day of purchase by the buyer. This date is mentioned in the guarantee certificate as the date of sale or the date of installation made by an authorized person (if this installation has been ordered within 3 weeks from the date of purchase). With all products of Roth Czech s.r.o. is provided to a the consumer\* the basic guarantee for 2 years from the day of purchase of the product. With compliance of the extra conditions listed below is provided an extended guarantee. Guarantee period consists of a statutory period (of 2 years) and, eventually, of the extended guarantee period.

\* With selected products the guarantee to buyers is from the producer, who are not consumers too, reduced to 6 months and complaints are handled within 90 days from the day of applying for the claim. Statutory rights of final customer (consumer) are not affected by this, the guarantee to him is applicable by law.

## II a) Basic guarantee - 2 years:

The claim to launch warranty fullfilment (repairing or replacing) of defective products on costs to the manufacturer lapses in the following cases:

- the product is not used in correspondence with its determination or manual instruction
- if a valid document of product purchase is not presented (so the customer has no proof of guarantee period beginning)
- when improper installation is detected
- in case a product was unauthorized or unprofessional manipulation made by the owner, or by other unqualified persons
- none or incorrect maintenance (see „maintenance instructions“)

## II b) Extended guarantee:

Extended guarantee is provided by Roth Czech s.r.o. to shower enclosures of all product lines Roth Czech (except Project Line). The claim to launch warranty fullfilment (repairing or replacing) of defective products at the cost of a manufacturer, in the range of extended guarantee, lapses in the following cases:

- if it was not an original guarantee certificate completed by a retailer and together by a professional installation company.
- if assembly of the product was not performed professional installation company (with a business license)

## II c) Conditions of extended guarantee:

In the range of extended guarantee, in excess of 24 months from date of purchase, the producer has exclusive rights to choose the way to deal with the claim by:

- repairing of the defect
- replacing of the defective parts
- financial compensation in an adequate range and importance of the defect in question, or by other ways in connection to the incurred defect and its relevancy.

Extended guarantee is not subject to obligation of the Civil code.

Extended guarantee is governed by the Complaints procedure of the company Roth Czech s.r.o..

Manufacturers decision on how to deal with the claim is mandatory for the customer.

## Guarantee period for product groups is following:

Items of Roth Czech product lines:	
Shower enclosures, screens - HITECH NEO, MELINA, WALK IN, ELEGANT NEO, AMBIENT, CARIBA, TOWER, PROXIMA, LIMAYA, LEGA	2+3 years
acrylic and cast marble bathtubs	10 years
self-supporting acrylic shower trays	2 years
FLAT acrylic shower trays	10 years
cast marble shower trays	5 years
others (Accessories, ...)	2 years
Items of PROJECT LINE (former name SANIPRO):	
complete assortment	2 years

## The guarantee does not apply on:

- mechanical damage on the products, where this damage is caused by improper manipulation, caused by a retailer, installer or by user
- defects and damages caused by incorrect product installation (in contradiction to a mounting instruction, which is part of the product)
- early wear caused by incorrect product installation
- defects caused by incorrect product use (see „description and purpose of use“)
- none or incorrect maintenance (see „maintenance instructions“)
- damage caused by limescale deposits
- defects caused by unauthorized usage, improper connection, defects caused by power surges or coming from usage in extreme conditions (for example in a sauna room, swimming pool, ...)
- the water pressure for operation of the hydromassage (steam) cabins and panels can not exceed a nominal pressure of 3 bars, otherwise there is a danger of damage on water-installation materials used in the product

## Caution:

Seats and handles for hydromassage boxes are not structurally designed for persons with reduced mobility within the meaning of the standards ES 93/42/EHS for medical aids. These devices serve users with full mobility, as the supporting tool.

Lifetime of consumables as the sealing components (PVC sealings), illumination, cartridges, thermostats, ball bearing rollers, shower hoses, or handheld shower can be shorter, than the guarantee period set by law.

All the components, which were mounted within installation, the customer must replace himself, e.g. shower hose, door rollers.

In case of missing purchase documents, all the service works are charged to the customer according to a valid pricelist of service works by Roth Czech.

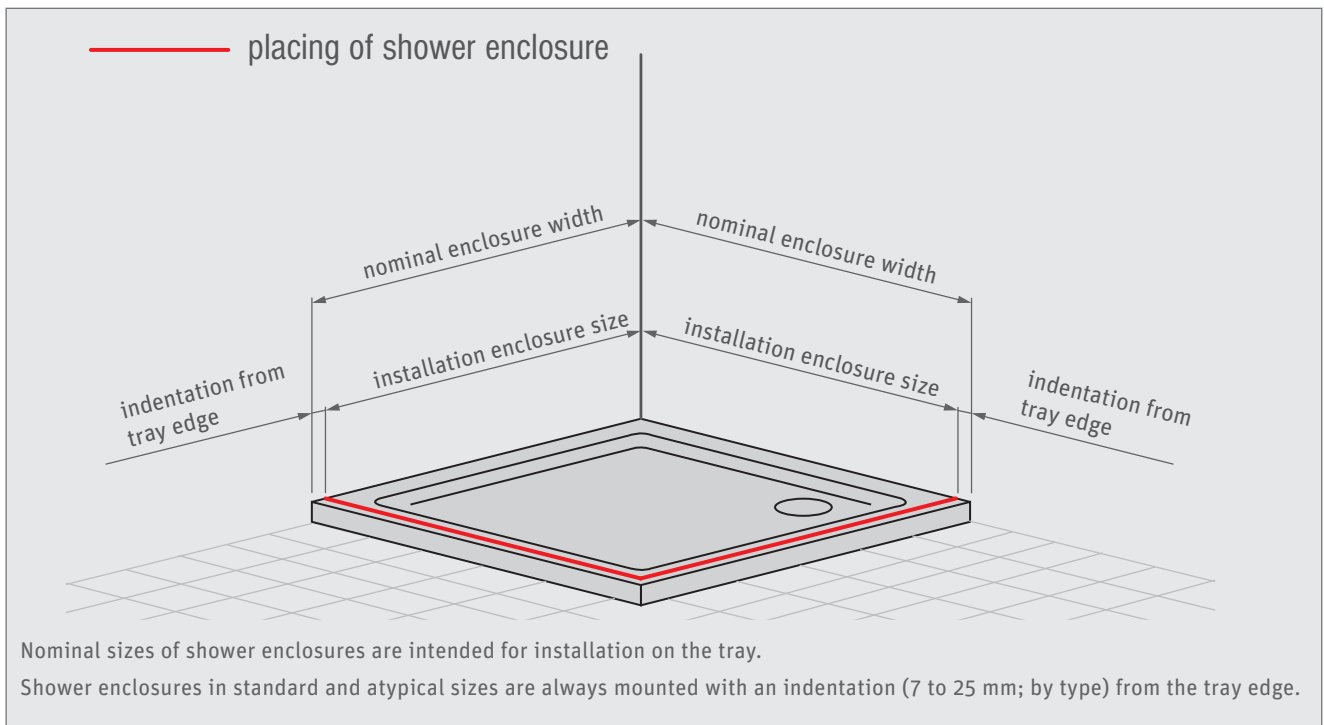
More informations on [www.roth-czech.cz/en](http://www.roth-czech.cz/en)

# TECHNICAL SPECIFICATIONS

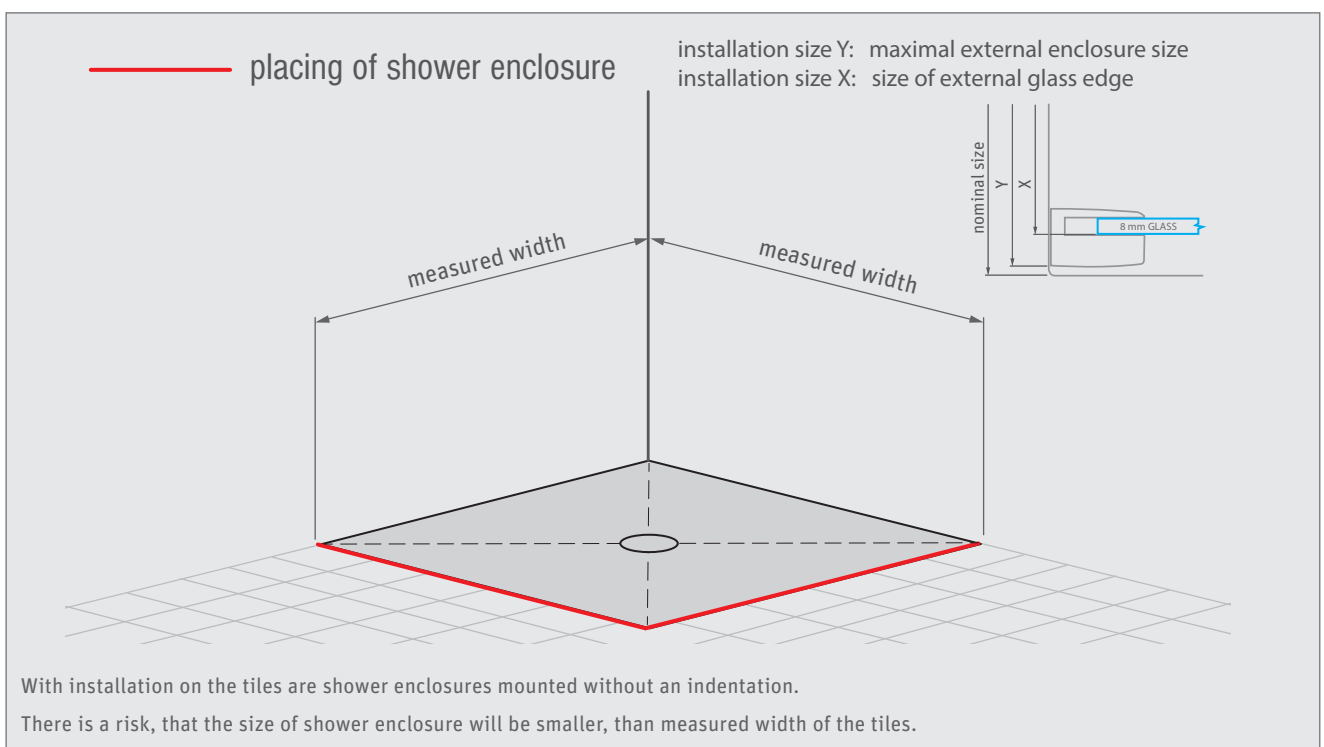
## WAYS TO INSTALL SHOWER ENCLOSURES

Prior to installation of shower enclosure ON TILES it is necessary to check product dimensions in TECHNICAL SPECIFICATIONS section.

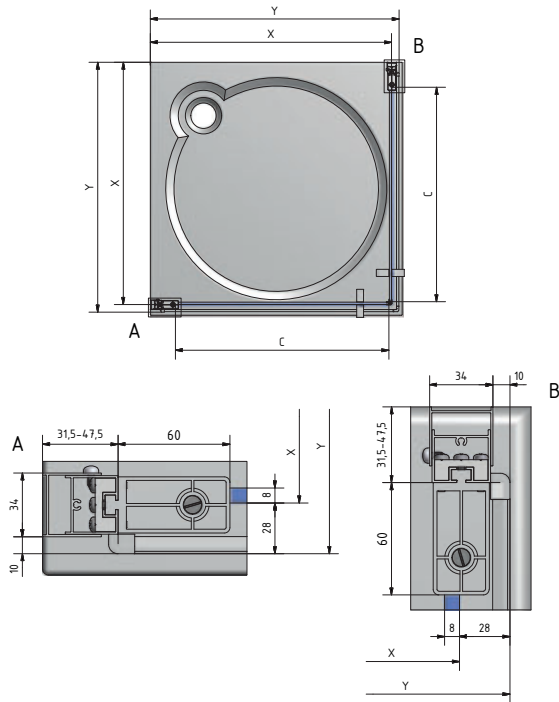
### MOUNTING ON THE TRAY



### MOUNTING ON THE TILES

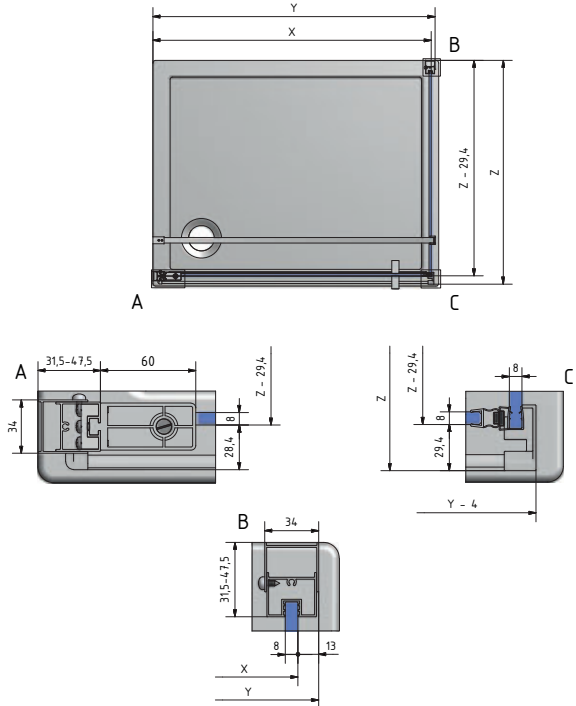


### HI PI2 + HI PI2



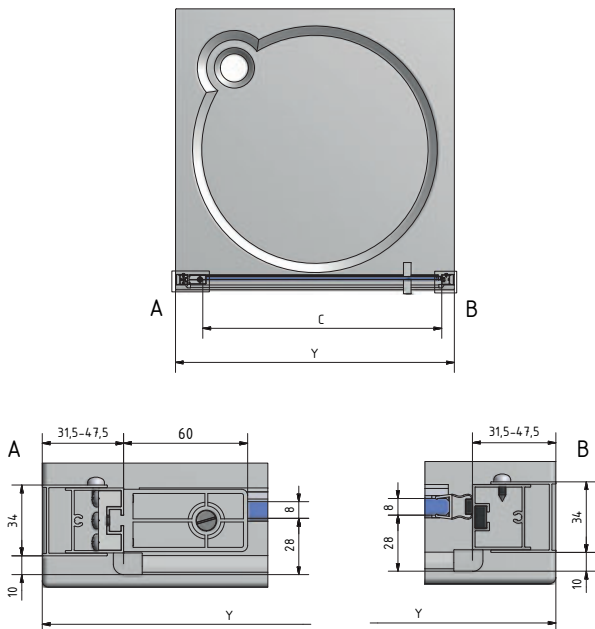
Variant	Y (mm)	X (mm)	C (mm)
800	782-798	754-770	663
900	882-898	854-870	763
1000	982-998	954-970	863

### HI PI2 + HI FXP



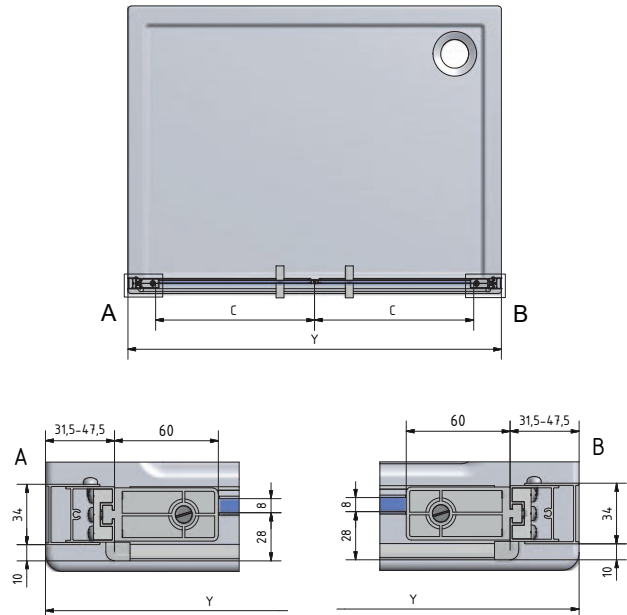
Variant	X (mm)	Y (mm)	Z (mm)	C (mm)
800	767-783	780-796	777-793	671
900	867-883	880-896	877-893	771
1000	967-983	980-996	977-993	871

### HI PI2 + HI SET



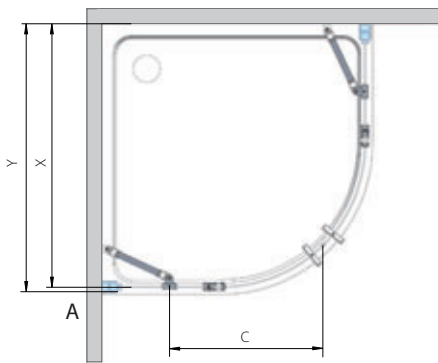
Variant	Y (mm)	C (mm)
800	783-815	671
900	883-915	771
1000	983-1015	871

### HI 2B2

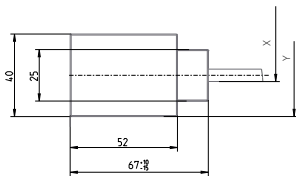


Variant	Y (mm)	C (mm)
800	783-815	311
900	883-915	361
1000	983-1015	411
1200	1183-1215	511

## MI D55

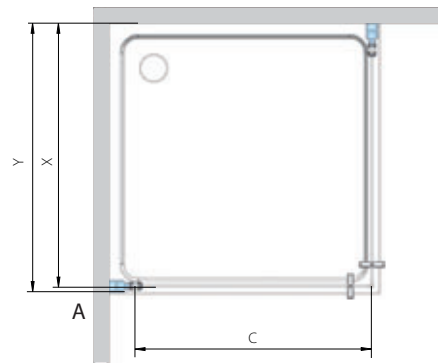


A

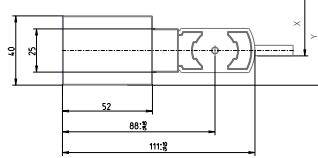


Variant	Y (mm)	X (mm)	C (mm)
800	780-805	763-813	389
900	880-905	863-913	389
1000	980-1005	963-1013	389

## MI PIG + MI PIG



A



Settings on delivery



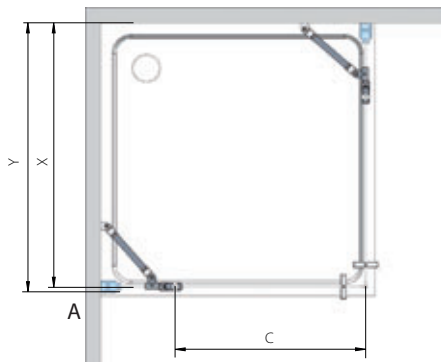
Modification +25 mm



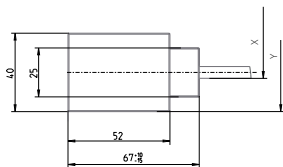
Variant	Y (mm)	X (mm)	C (mm)
800	780-830	763-813	664/689
900	880-930	863-913	764/789
1000	980-1030	963-1013	864/889

Dimensions including modification +25 mm

## MI EPF + MI EPF



A



Settings on delivery



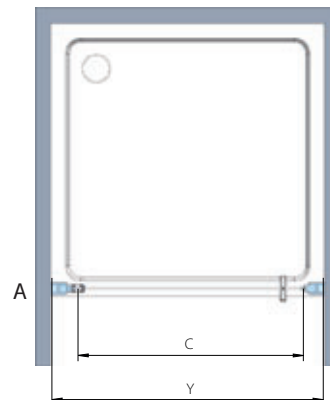
Modification +25 mm



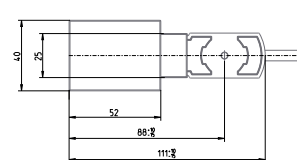
Variant	Y (mm)	X (mm)	C (mm)
800	780-830	763-813	503/528
900	880-930	863-913	603/628
1000	980-1030	963-1013	703/728
1100	1080-1130	1063-1113	753/778
1200	1180-1230	1163-1213	803/828

Dimensions including modification +25 mm

## MI PIV



A



Settings on delivery



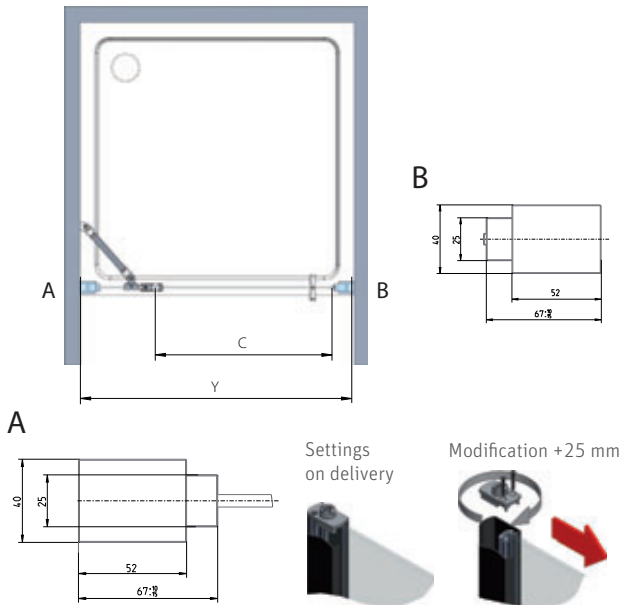
Modification +25 mm



Variant	Y (mm)	C (mm)
800	770-845	620/645
900	870-945	720/745
1000	970-1045	820/845

Dimensions including modification +25 mm

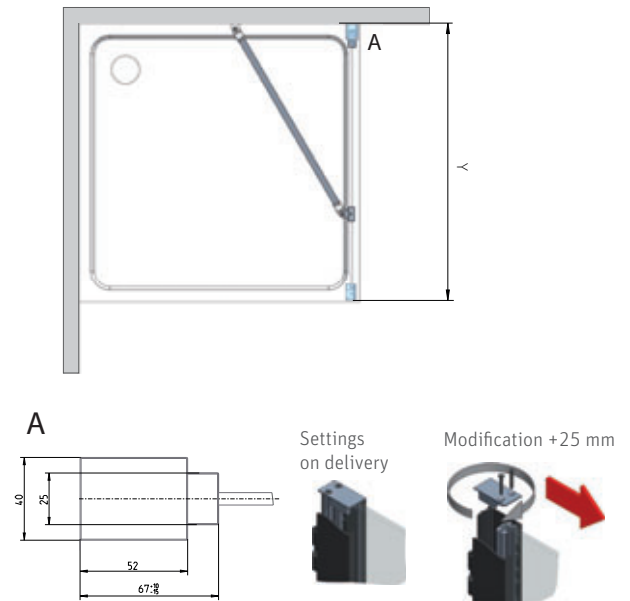
### MI PIF



Variant	Y (mm)	C (mm)
800	770-845	459/484
900	870-945	559/584
1000	970-1045	659/684
1100	1070-1145	709/734
1200	1170-1245	759/784

Dimensions including modification +25 mm

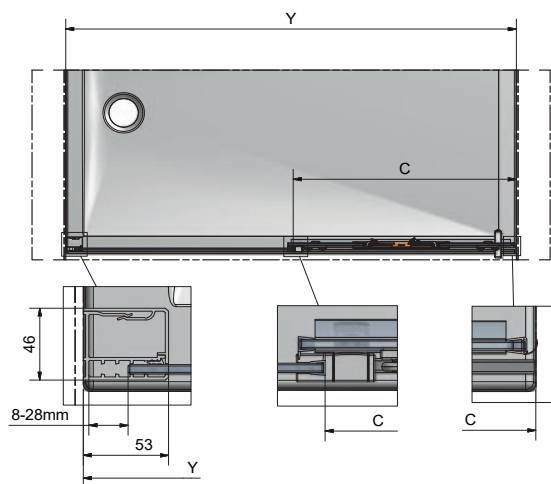
### MI FXP



Variant	Y (mm)
800	780-830
900	880-930
1000	980-1030

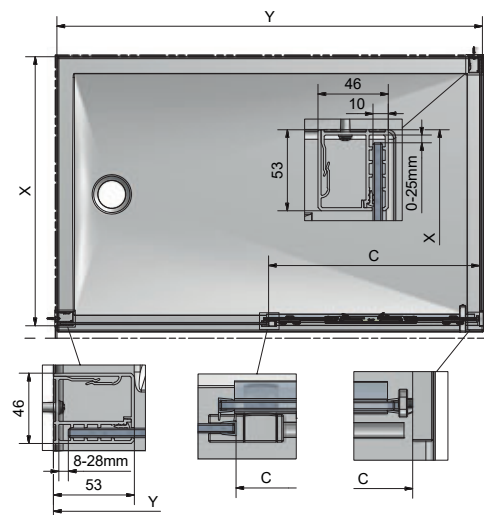
Dimensions including modification +25 mm

### MI D2L(R)



Variant	C (mm)	Y (mm)
1000	400	970-1010
1100	450	1070-1110
1200	500	1170-1210
1300	550	1270-1310
1400	600	1370-1410
1500	650	1470-1510
1600	700	1570-1610
1700	750	1670-1710
1800	800	1770-1810

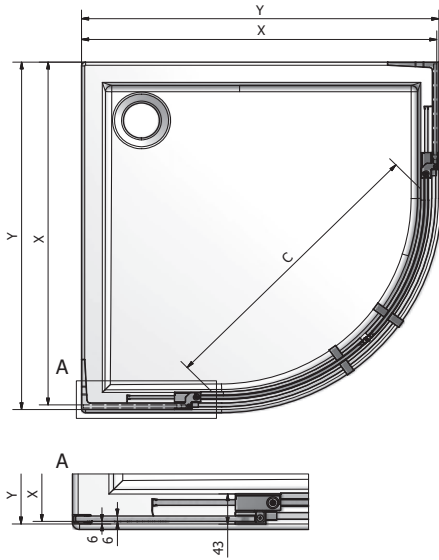
### MI D2L(R) + MI FX2



MI D2L(R)	C (mm)	Y (mm)	MI FX2	X (mm)
1000	400	980-1020	750	725-750
1100	450	1080-1120	800	775-800
1200	500	1180-1220	900	875-900
1300	550	1280-1320	1000	975-1000
1400	600	1380-1420	1100	1075-1100
1500	650	1480-1520	1200	1175-1200
1600	700	1580-1620		
1700	750	1680-1720		
1800	800	1780-1820		

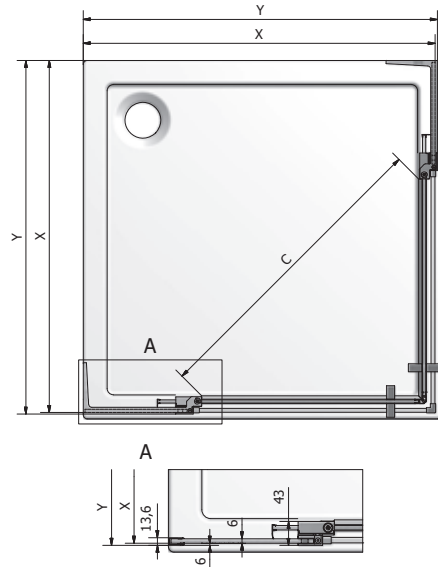


## ■ GR2N



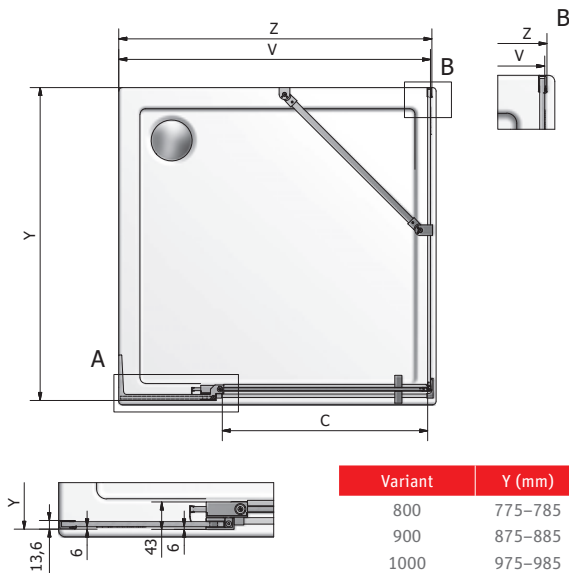
Variant	X (mm)	Y (mm)	C (mm)
900-1000	885-985	879-979	710-900
1000-1100	985-1085	979-1079	860-1050

## ■ GDO1N + GDO1N



Variant	X (mm)	Y (mm)	C (mm)
700-800	679-779	685-785	510-650
800-900	779-879	785-885	650-790
900-1000	879-979	885-985	790-930
1000-1100	979-1079	985-1085	930-1070
1100-1200	1079-1179	1085-1185	1070-1210

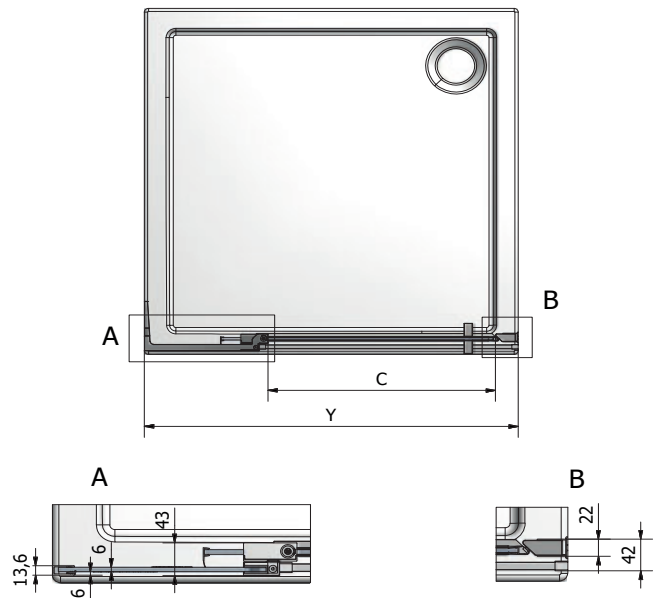
## ■ GDO1N + GBN



Variant	Y (mm)
800	775-785
900	875-885
1000	975-985

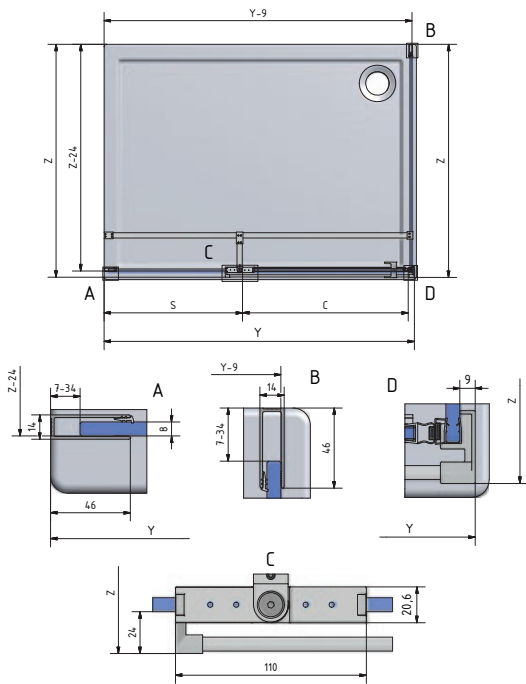
Variant	V (mm)	Z (mm)	C (mm)
700-800	685-785	691-791	380-480
800-900	785-885	791-891	480-580
900-1000	885-985	891-991	580-680
1000-1100	985-1085	991-1091	680-780
1100-1200	1085-1185	1091-1191	780-880

## ■ GDO1N + GZN



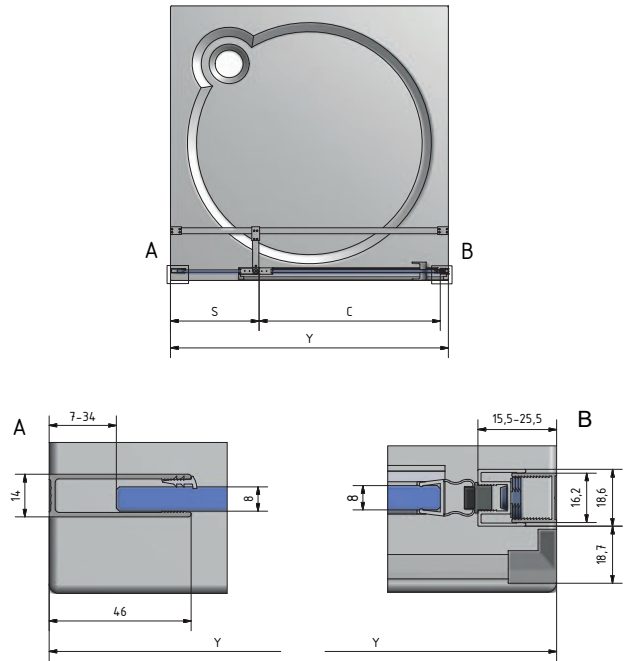
Variant	Y (mm)	C (mm)
700-800	685-785	340-460
800-900	785-885	440-560
900-1000	885-985	540-660
1000-1100	985-1085	640-760
1100-1200	1085-1185	740-860

### BI PF2 + BI FXP



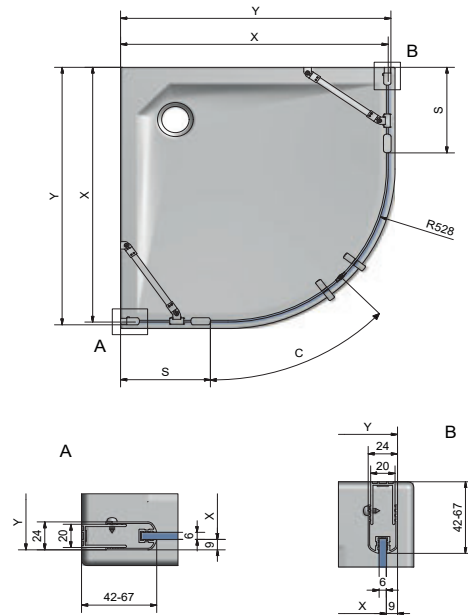
Variant	Y (mm)	Z (mm)	S (mm)	C (mm)
800	782-807	768-793	272-297	487
900	882-907	868-893	272-297	587
1000	982-1007	968-993	372-397	587
1200	1182-1207	-	522-547	637

### BI PF2 + BI SET



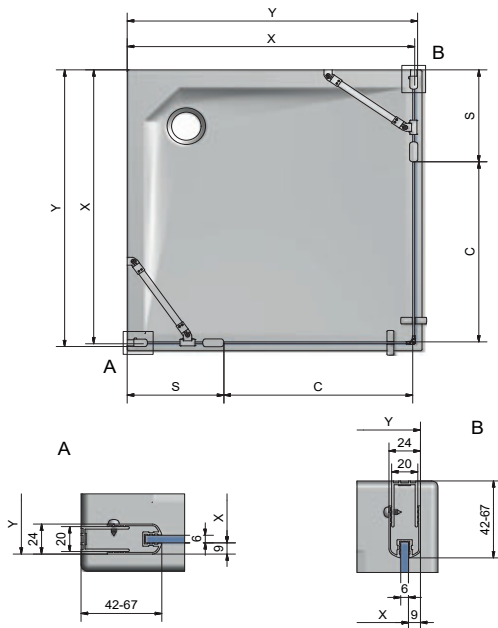
Variant	Y (mm)	S (mm)	C (mm)
800	775-810	272-297	487
900	875-910	272-297	587
1000	975-1010	372-397	587
1200	1175-1210	522-547	637

### CI P55



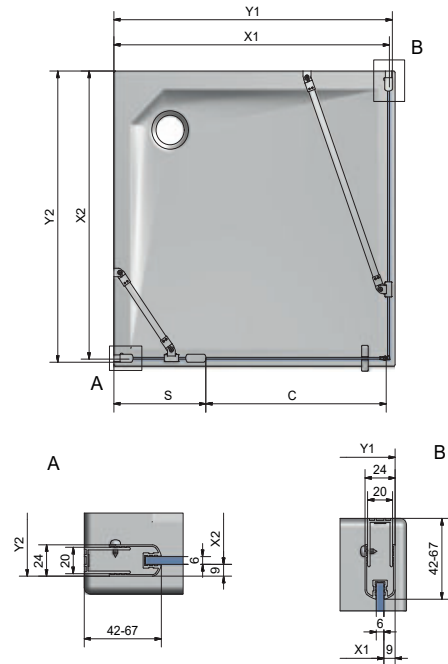
Variant	X (mm)	Y (mm)
900	858-883	867-892
1000	958-983	967-992

## ■ CI EPF + CI EPF



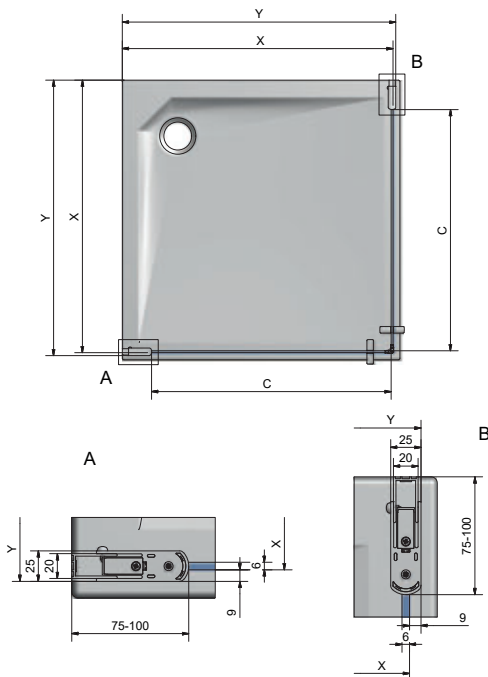
Variant	X (mm)	Y (mm)
800	758-783	767-792
900	858-883	867-892
1000	958-983	967-992
1100	1058-1083	1067-1092
1200	1158-1183	1167-1192

## ■ CI EPF + CI FXG



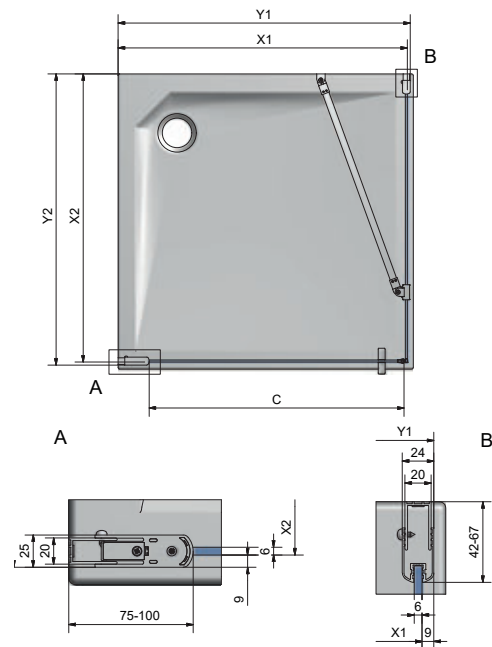
Variant	X1 (mm)	Y1 (mm)	X2 (mm)	Y2 (mm)
800	762-787	771-796	759-784	768-793
900	862-887	871-896	859-884	868-893
1000	962-987	971-996	959-984	968-993
1100	1062-1087	1071-1096	-	-
1200	1162-1187	1171-1196	-	-

## ■ CI PIG + CI PIG



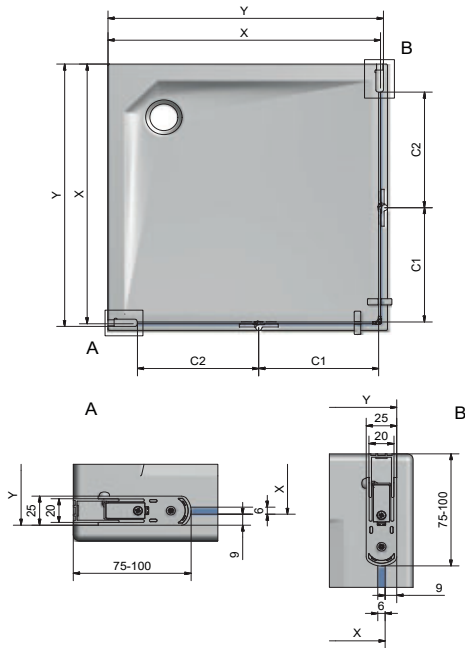
Variant	X (mm)	Y (mm)
800	758-783	767-792
900	858-883	867-892
1000	958-983	967-992

## ■ CI PIG + CI FXG



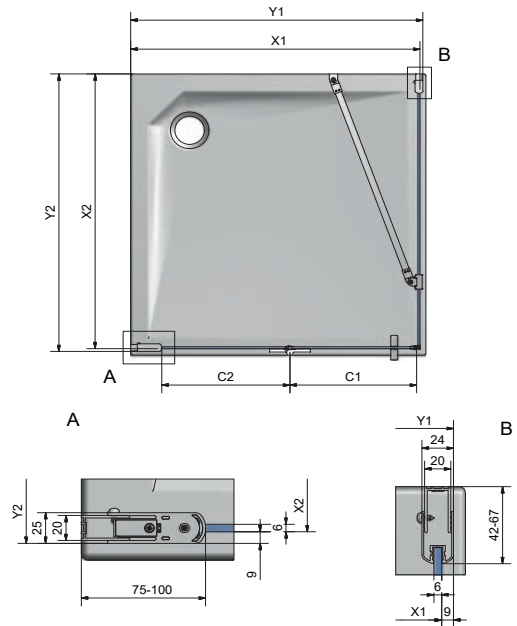
Variant	X1 (mm)	Y1 (mm)	X2 (mm)	Y2 (mm)
800	762-787	771-796	759-784	768-793
900	862-887	871-896	859-884	868-893
1000	962-987	971-996	959-984	968-993

### ■ CI 2CL + CI 2CR



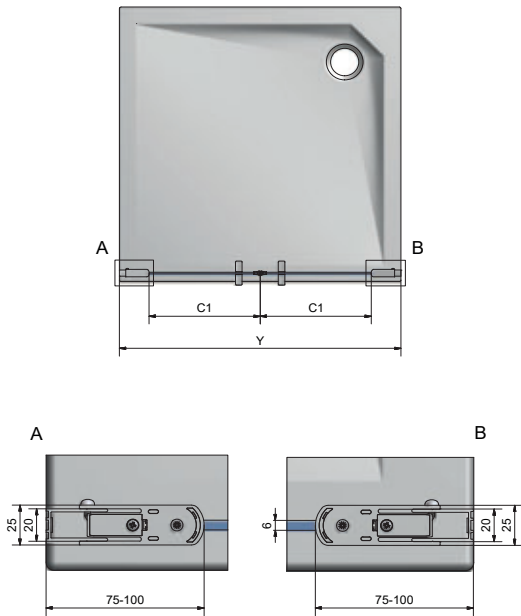
Variant	X (mm)	Y (mm)
800	758-783	767-792
900	858-883	867-892
1000	958-983	967-992

### ■ CI 2CL + CI FXG



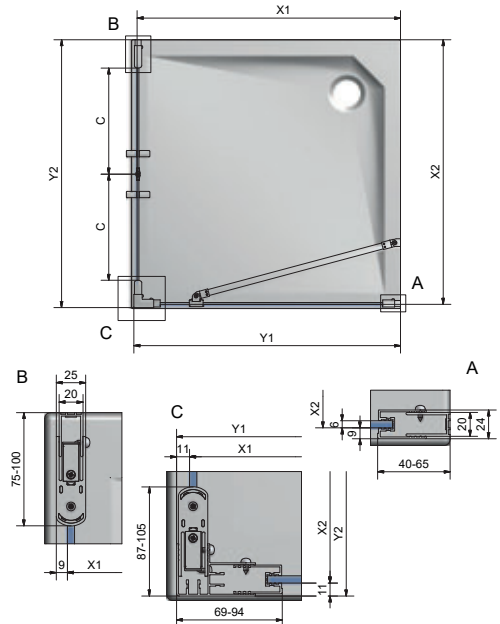
Variant	X1 (mm)	Y1 (mm)	X2 (mm)	Y2 (mm)
800	762-787	771-796	759-784	768-793
900	862-887	871-896	859-884	868-893
1000	962-987	971-996	959-984	968-993

### ■ CI 2BT



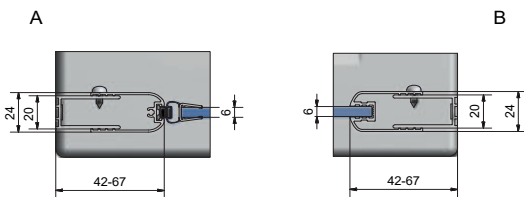
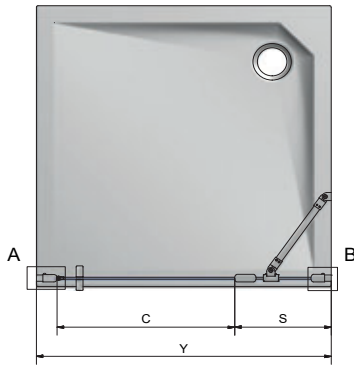
Variant	Y (mm)
800	760-810
900	860-910
1000	960-1010
1100	1060-1110
1200	1160-1210

### ■ CI 2BT + CI FXP



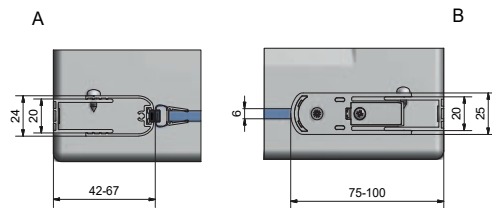
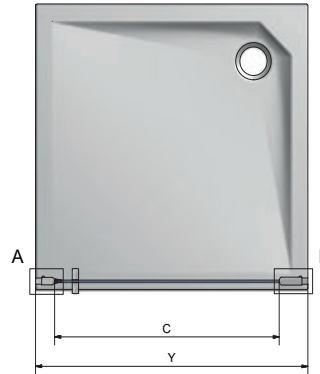
Variant	X1 (mm)	Y1 (mm)	X2 (mm)	Y2 (mm)
700	641-691	652-702	-	-
750	691-741	702-752	-	-
800	741-791	752-802	759-804	770-815
900	841-891	852-902	859-904	870-915
1000	941-991	952-1002	959-1004	970-1015
1100	-	-	1059-1104	1070-1115
1200	-	-	1159-1204	1170-1215

## ■ CI PIF



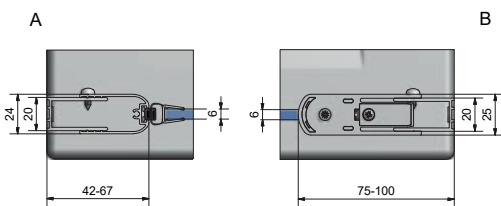
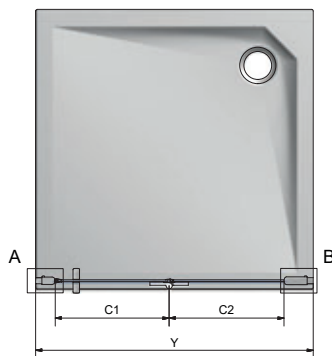
Variant	Y (mm)
800	760-810
900	860-910
1000	960-1010
1100	1060-1110
1200	1160-1210

## ■ CI PIV



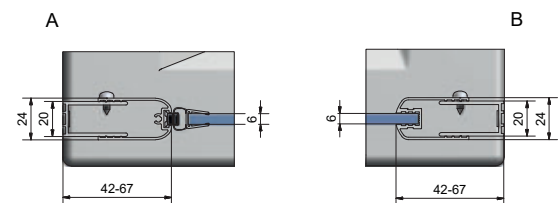
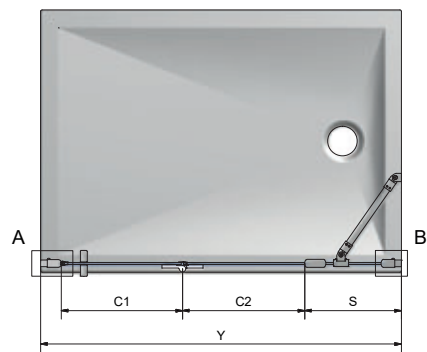
Variant	Y (mm)
800	760-810
900	860-910
1000	960-1010

## ■ CI PIR(L)



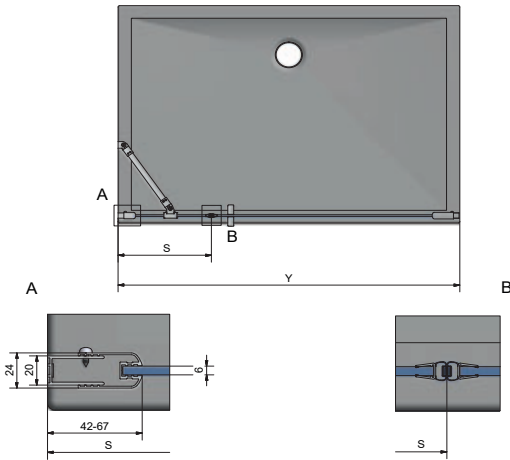
Variant	Y (mm)
800	760-810
900	860-910
1000	960-1010
1200	1160-1210

## ■ CI RFR(L)



Variant	Y (mm)
1100	1060-1110
1200	1160-1210
1400	1360-1410
1600	1560-1610

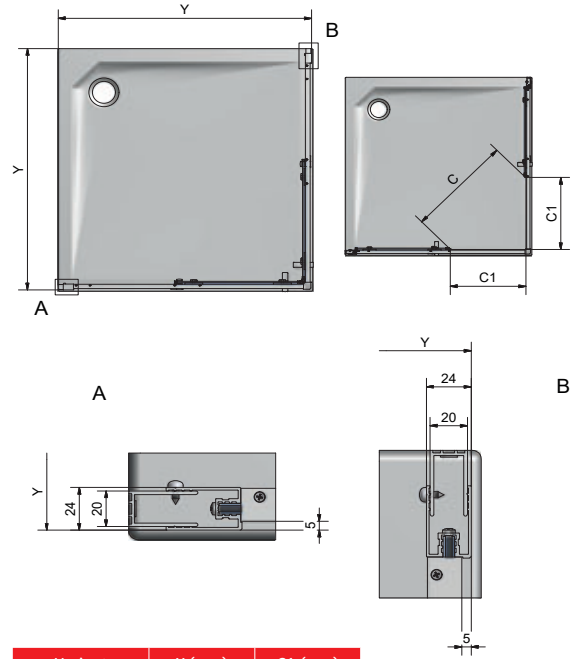
### ■ CI FX0 + CI PIG



CI FX0	S (mm)
230	209-234
330	309-334
430	409-434
530	509-534
630	609-634

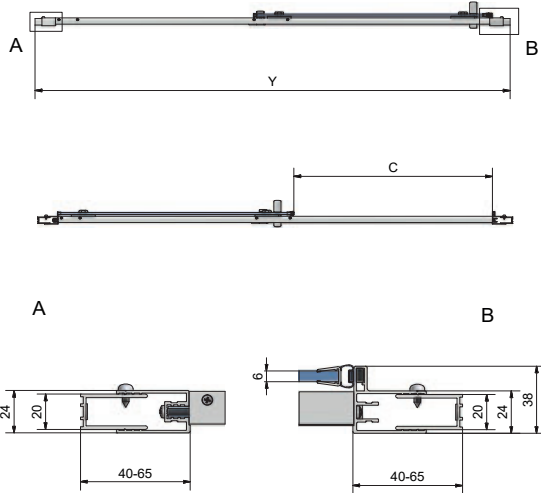
Y	CI PIG/800	CI PIG/900	CI PIG/1000
CI FX0/230	960-1010	1060-1110	1160-1210
CI FX0/330	1060-1110	1160-1210	1260-1310
CI FX0/430	1160-1210	1260-1310	1360-1410
CI FX0/530	1260-1310	1360-1410	1460-1510
CI FX0/630	1360-1410	1460-1510	1560-1610

### ■ CI C2L + CI C2R



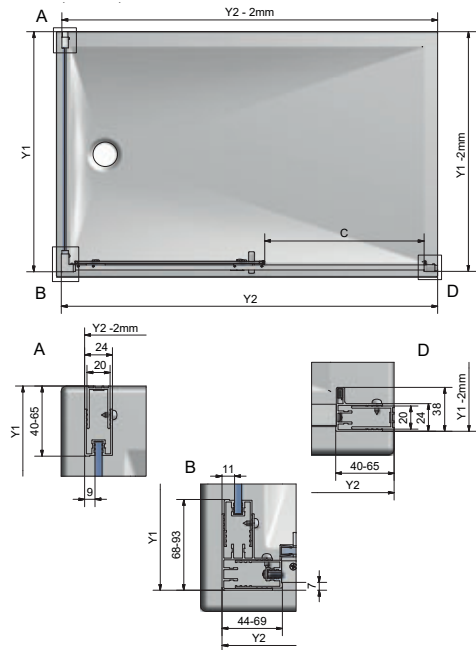
Variant	Y (mm)	C1 (mm)
800	775-800	305
900	875-900	355
1000	975-1000	405
1100	1075-1100	455
1200	1175-1200	505

### ■ CI D2L



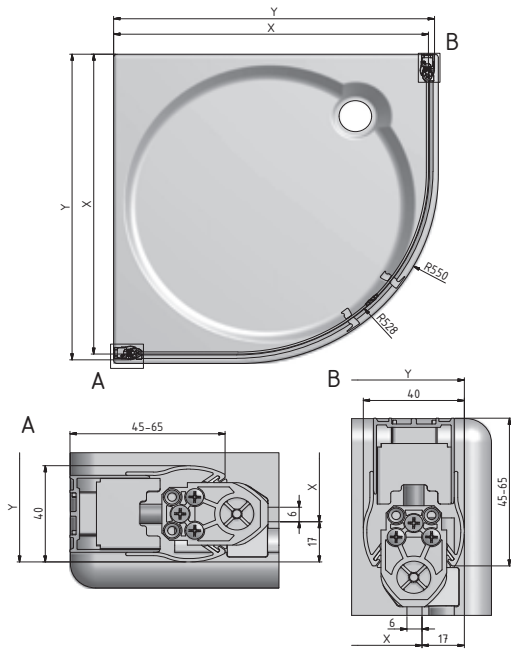
Variant	Y (mm)	C (mm)
1200	1160-1210	485
1300	1260-1310	535
1400	1360-1410	585
1500	1460-1510	635
1600	1560-1610	685

### ■ CI D2L + CI FXP



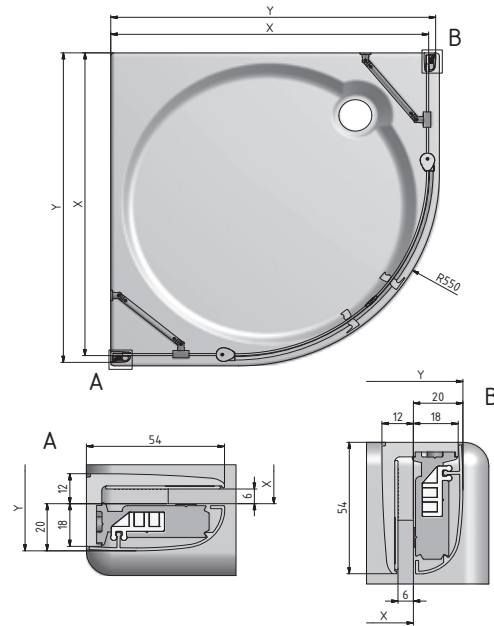
CI FXP	Y1 (mm)	CI D2L/R	Y2 (mm)
700	652-702	1200	1163-1213
750	702-752	1300	1263-1313
800	752-802	1400	1363-1413
900	852-902	1500	1463-1513
1000	952-1002	1600	1563-1613

## TR1



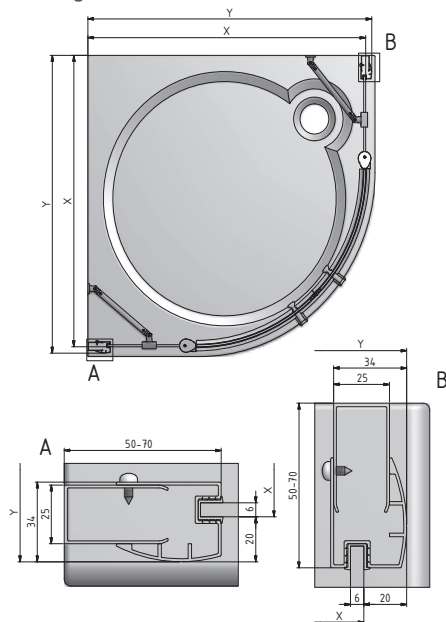
Variant	X (mm)	Y (mm)
900	850-870	867-887
1000	950-970	967-987

## TR2



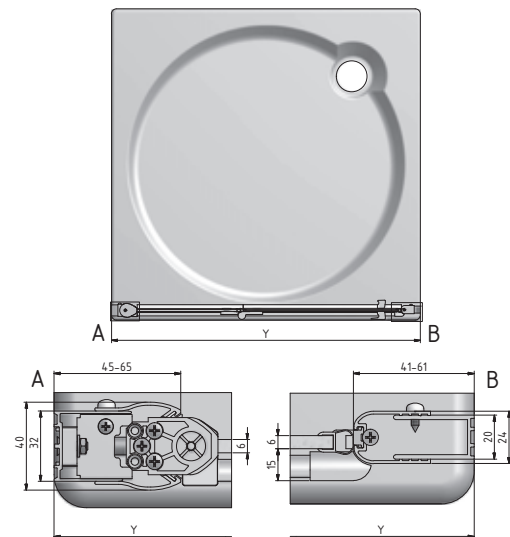
Variant	X (mm)	Y (mm)
800	750-770	770-790
900	850-870	870-890
1000	950-970	970-990

## TR2 light



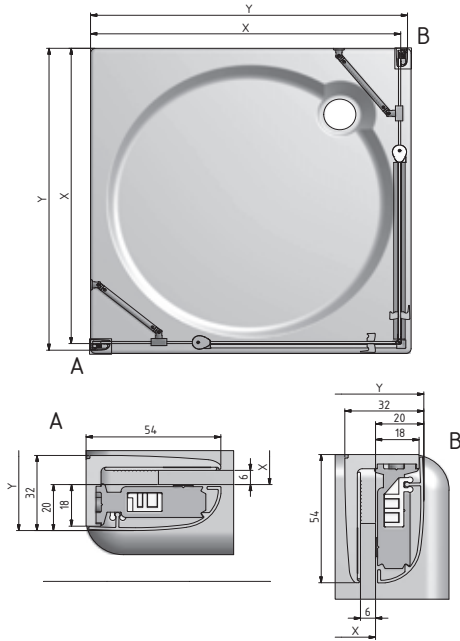
Variant	X (mm)	Y (mm)
900	850-870	870-890

## TZNL1, TZNP1



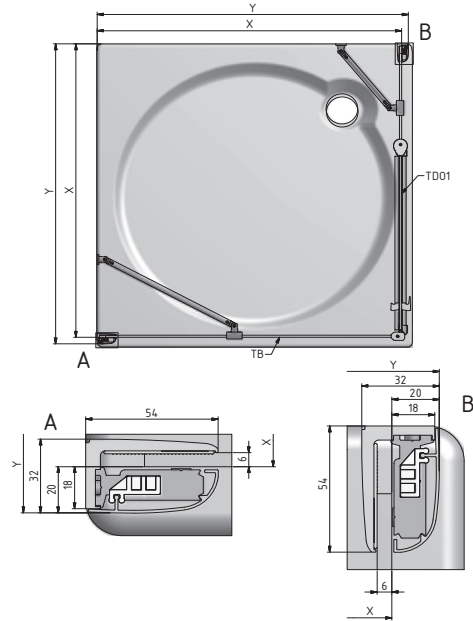
Variant	Y (mm)
800	775-810
900	875-910
1000	975-1010
1100	1075-1110
1200	1175-1210

### TD01 + TD01



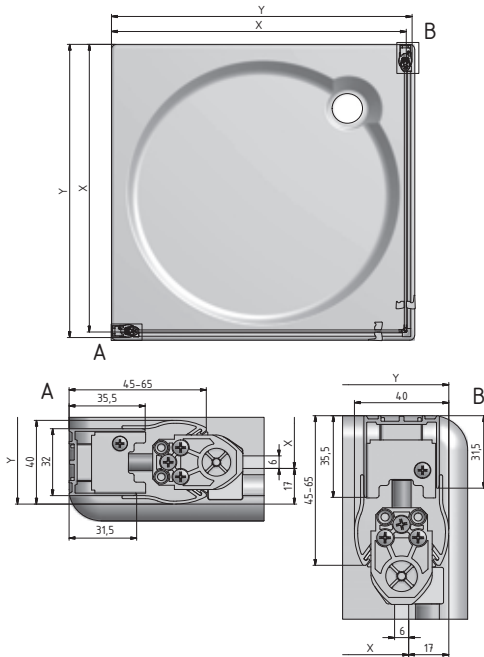
Variant	X (mm)	Y (mm)
800	750-770	770-790
900	850-870	870-890
1000	950-970	970-990
1100	1050-1070	1070-1090
1200	1150-1170	1170-1190

### TD01 + TB



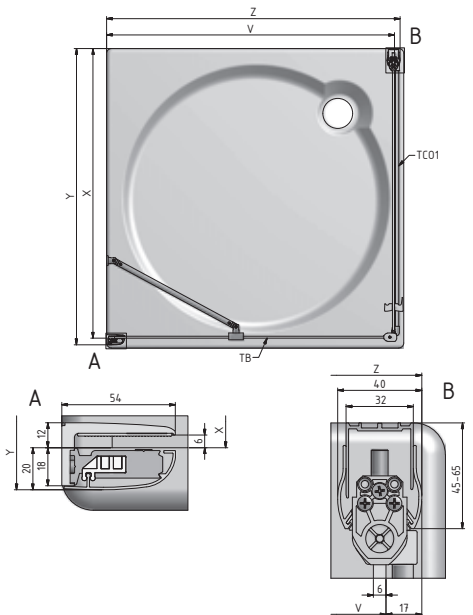
TD01	X (mm)	Y (mm)	TB	X (mm)	Y (mm)
800	755-770	775-790	700	655-670	675-690
900	855-870	875-890	750	705-720	725-740
1000	955-970	975-990	800	755-770	775-790
1100	1055-1070	1075-1090	900	855-870	875-890
1200	1155-1170	1175-1190	1000	955-970	975-990

### TC01 + TC01



Variant	X (mm)	Y (mm)
800	755-775	772-792
900	855-875	872-892
1000	955-975	972-992
1100	1055-1075	1072-1092
1200	1155-1175	1172-1192

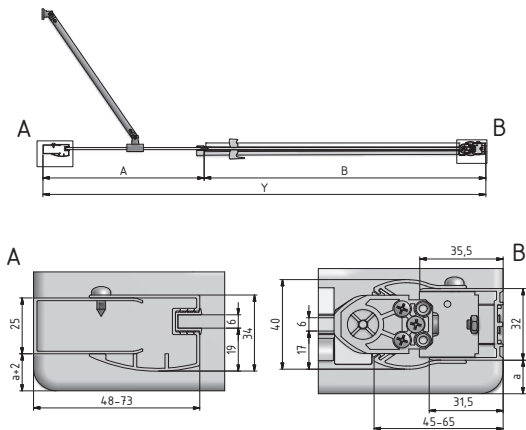
### TC01 + TB



TC01	X (mm)	Y (mm)	TB	V (mm)	Z (mm)
800	765-780	785-800	700	650-670	667-687
900	865-880	885-900	750	700-720	717-737
1000	965-980	985-1000	800	750-770	767-787
1100	1065-1080	1085-1100	900	850-870	867-887
1200	1165-1180	1185-1200	1000	950-970	967-987



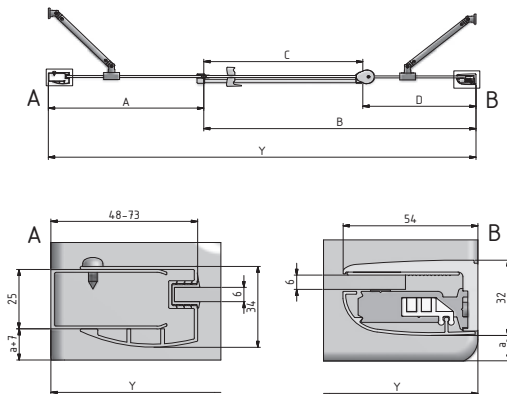
## TCO1 + TBD



TBD	A (mm)	TCO1	B (mm)
240	212-237	800	756-771
440	412-437	900	856-871
640	612-637	1000	956-971
740	712-737	1100	1056-1071
		1200	1156-1171

Y	TCO1/800	TCO1/900	TCO1/1000	TCO1/1100	TCO1/1200
TBD/240	968-1008	1068-1108	1168-1208	1268-1308	1368-1408
TBD/440	1168-1208	1268-1308	1368-1408	1468-1508	1568-1608
TBD/640	1368-1408	1468-1508	1568-1608	1668-1708	1768-1808
TBD/740	1468-1508	1568-1608	1668-1708	1768-1808	1868-1908

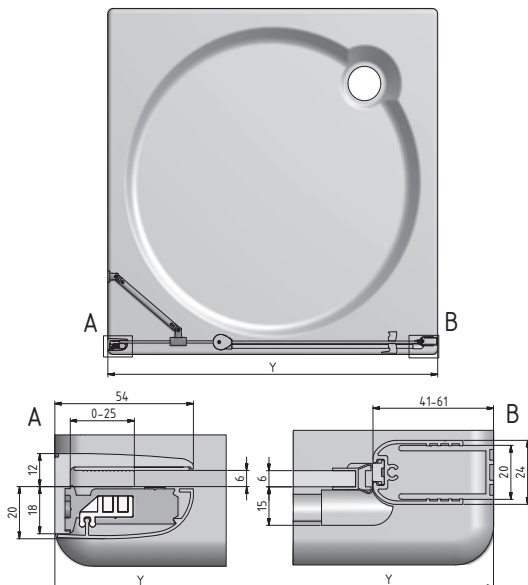
## TDO1 + TBD



TBD	A (mm)	TDO1	B (mm)	C (mm)	D (mm)
240	212-237	800	743-768	442	298-323
440	412-437	900	843-868	542	298-323
640	612-637	1000	943-968	642	298-323
740	712-737	1100	1043-1068	642	398-423
		1200	1143-1168	742	398-423

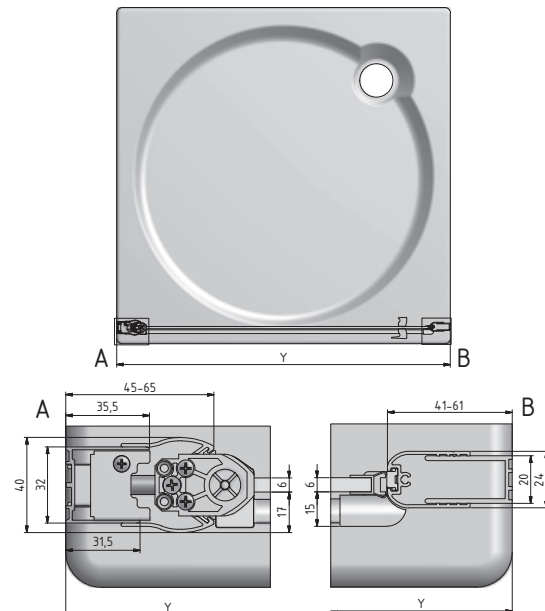
Y	TDO1/800	TDO1/900	TDO1/1000	TDO1/1100	TDO1/1200
TBD/240	955-1005	1055-1105	1155-1205	1255-1305	1355-1405
TBD/440	1155-1205	1255-1305	1355-1405	1455-1505	1555-1605
TBD/640	1355-1405	1455-1505	1555-1605	1655-1705	1755-1805
TBD/740	1455-1505	1555-1605	1655-1705	1755-1805	1855-1905

## TDN1



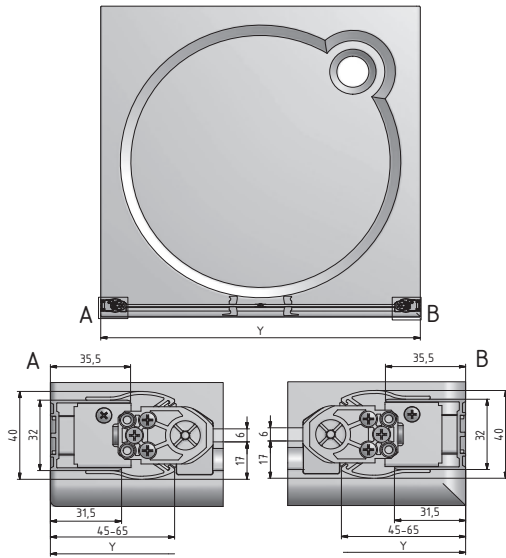
Variant	Y (mm)
800	775-810
900	875-910
1000	975-1010
1100	1075-1110
1200	1175-1210

## TCN1



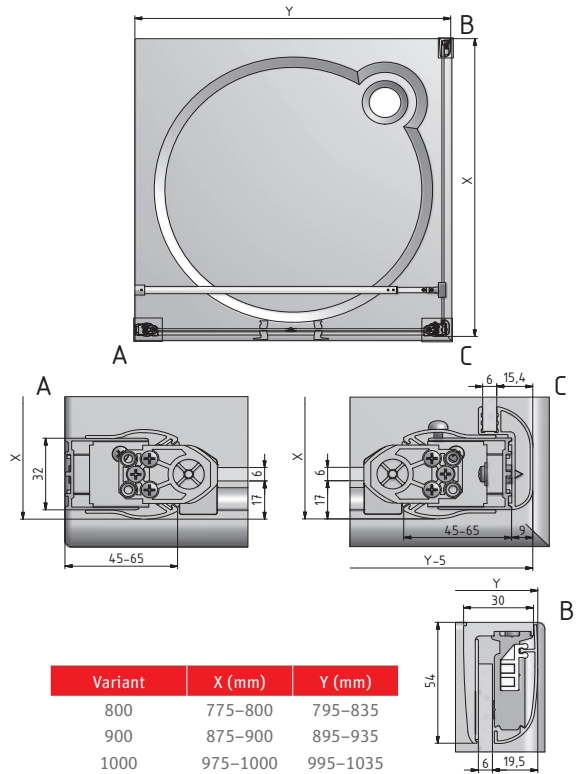
Variant	Y (mm)
800	775-810
900	875-910
1000	975-1010

### TCN2



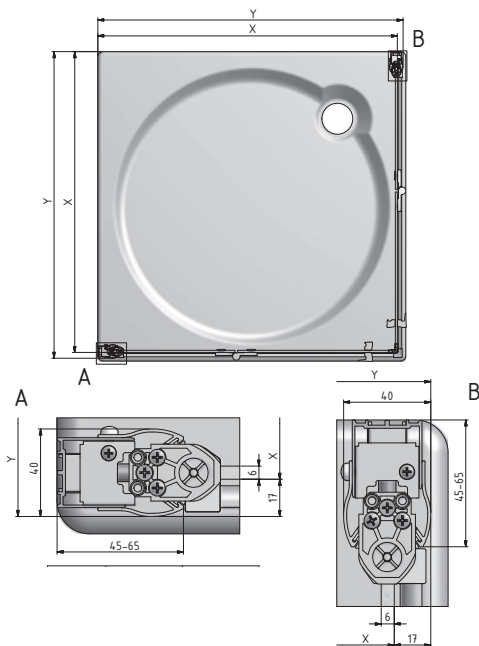
Variant	Y (mm)
800	785-820
900	885-920
1000	985-1020
1100	1085-1120
1200	1185-1220

### TCN2 + TCB



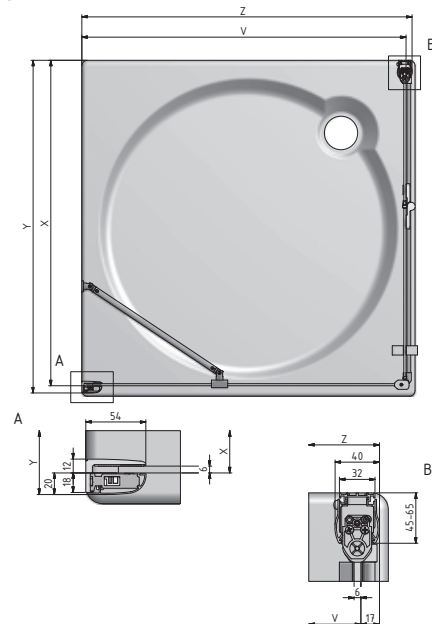
Variant	X (mm)	Y (mm)
800	775-800	795-835
900	875-900	895-935
1000	975-1000	995-1035
1100	-	1095-1135
1200	-	1195-1235

### TZ01L + TZ01P



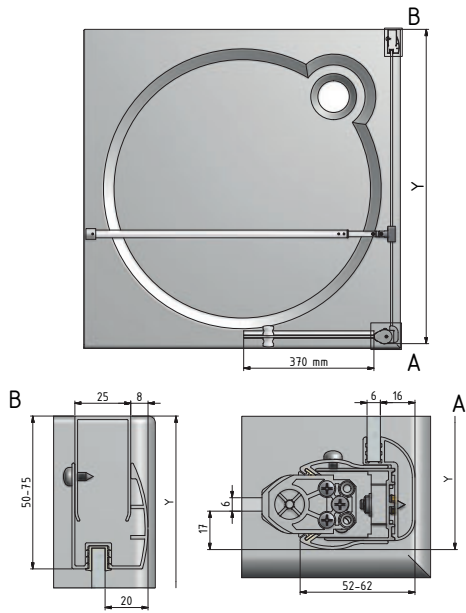
Variant	X (mm)	Y (mm)
800	755-775	775-795
900	855-875	875-895
1000	955-975	975-995
1100	1055-1075	1075-1095
1200	1155-1175	1175-1195

### TZ01 + TB



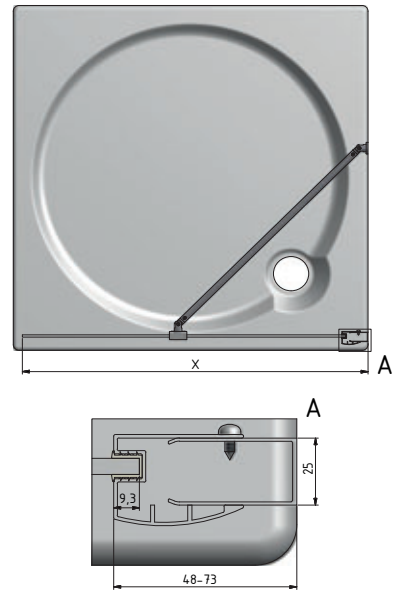
TZ01	X (mm)	Y (mm)	TB	V (mm)	Z (mm)
800	770-795	790-815	700	650-670	667-687
900	870-895	890-915	750	700-720	717-737
1000	970-995	990-1015	800	750-770	767-787
1100	1070-1095	1090-1115	900	850-870	867-887
1200	1170-1195	1190-1215	1000	950-970	967-987

■ TCW1



Variant	Y (mm)
800	770-795
900	870-895
1000	970-995
1200	1170-1195
1400	1370-1395

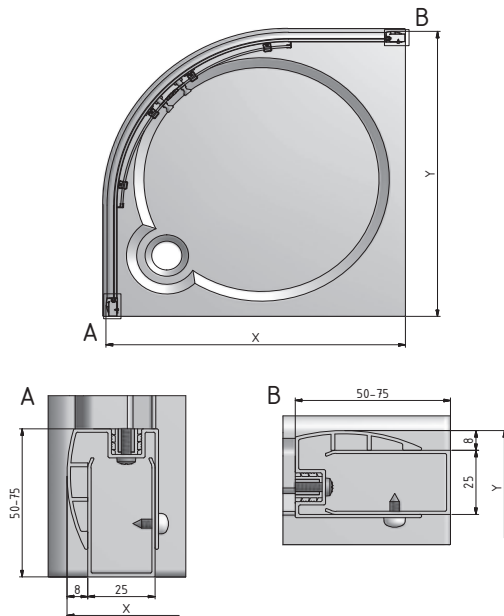
■ TBS



Variant	X (mm)
800	767-792
900	867-892
1000	967-992

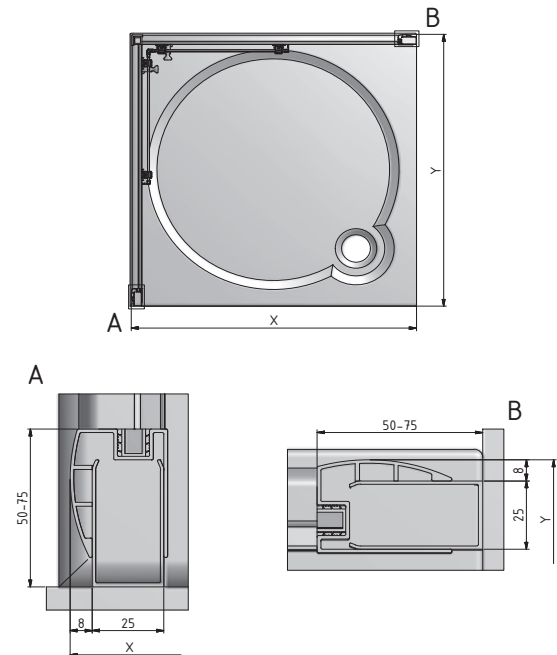


## ■ PXR2N



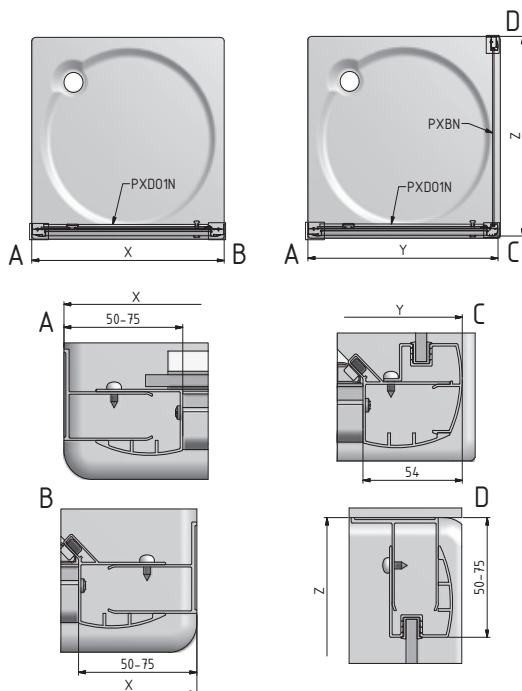
Variant	X (mm)	Y (mm)
800	780-805	780-805
900	880-905	880-905
1000	980-1005	980-1005

## ■ PXS2L + PXS2P



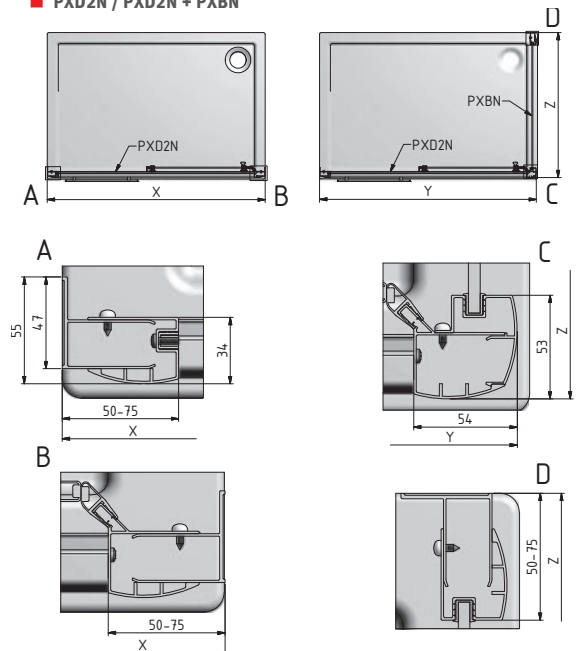
Variant	X (mm)	Y (mm)
800×800	786-810	786-810
900×900	886-910	886-910
1000×1000	986-1010	986-1010

## ■ PXD01N / PXD01N + PXBN



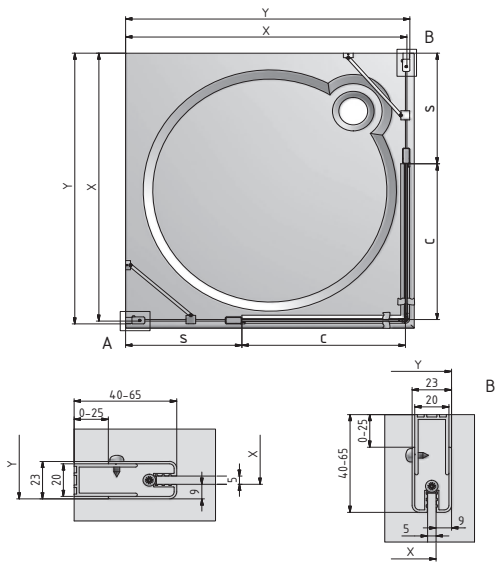
Variant	X (mm)	Y (mm)	Variant	Z (mm)
800	772-822	775-800	700	680-705
900	872-922	875-900	800	780-805
1000	972-1022	975-1000	900	880-905
1100	1072-1122	1075-1100	1000	980-1005

## ■ PXD2N / PXD2N + PXBN



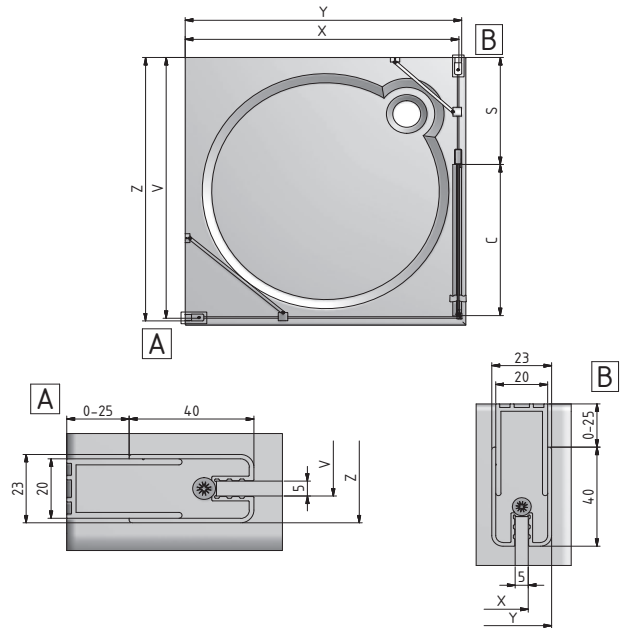
Variant	X (mm)	Y (mm)	Variant	Z (mm)
1100	1080-1130	1085-1110	700	680-705
1200	1180-1230	1185-1210	800	780-805
1300	1280-1330	1285-1310	900	880-905
1400	1380-1430	1385-1410	1000	980-1005
1500	1480-1530	1485-1510		
1600	1580-1630	1585-1610		

### ■ LYE4 + LYE4



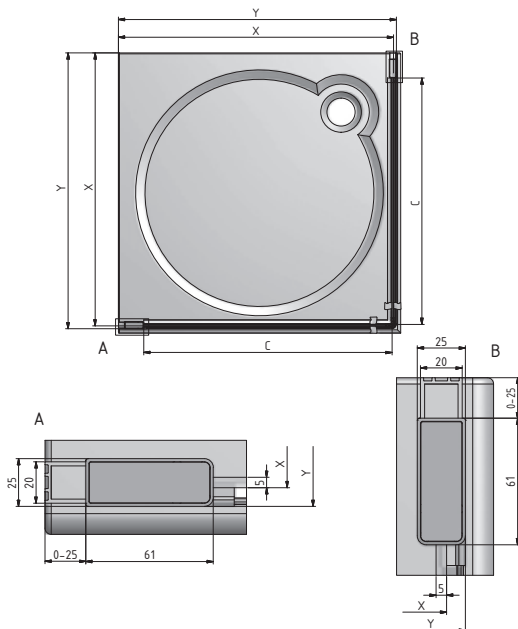
Variant	X (mm)	Y (mm)	S (mm)	C (mm)
800	758-783	767-792	243-268	510
900	858-883	867-892	343-368	510
1000	958-983	967-992	443-468	510
1100	1058-1083	1067-1092	443-468	610
1200	1158-1183	1167-1192	443-468	710

### ■ LYE4 + LYSW15



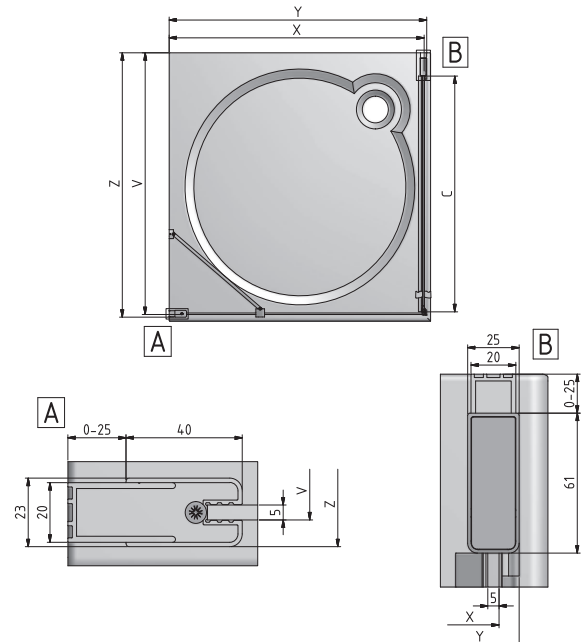
Variant	X (mm)	Y (mm)	V (mm)	Z (mm)	S (mm)	C (mm)
800	758-783	767-792	761-786	770-795	243-268	510
900	858-883	867-892	861-886	870-895	343-368	510
1000	958-983	967-992	961-986	970-995	443-468	510
1100	-	-	1061-1086	1070-1095	443-468	610
1200	-	-	1161-1186	1170-1195	443-468	710

### ■ LYE2 + LYE2



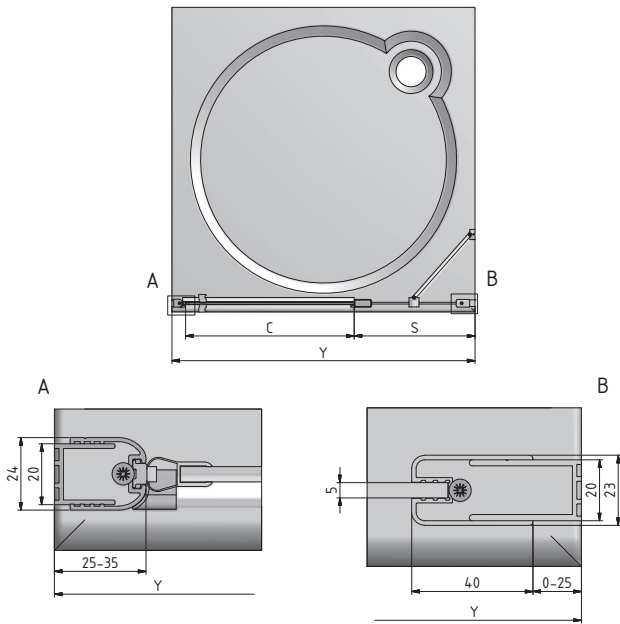
Variant	X (mm)	Y (mm)	C (mm)
800	758-783	767-792	690
900	858-883	867-892	790
1000	958-983	967-992	890

### ■ LYE2 + LYSW15



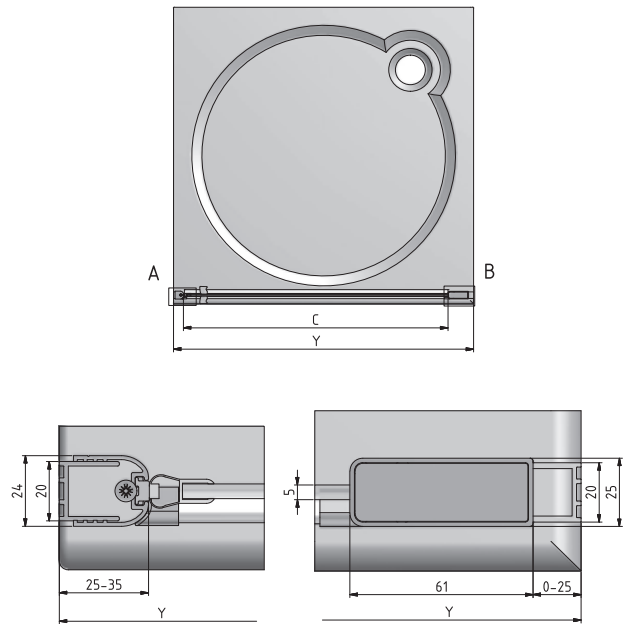
Variant	X (mm)	Y (mm)	V (mm)	Z (mm)	C (mm)
800	758-783	767-792	761-786	770-795	690
900	858-883	867-892	861-886	870-895	790
1000	958-983	967-992	961-986	970-995	890

## LYE4 + LZ



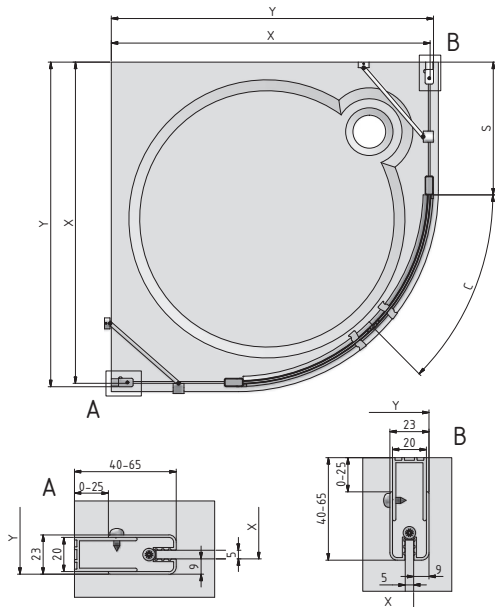
Variant	Y (mm)	C (mm)	S (mm)
800	780-815	510	243-268
900	880-915	510	343-368
1000	980-1015	510	443-468
1100	1080-1115	610	443-468
1200	1180-1215	710	443-468

## LYE2 + LZ



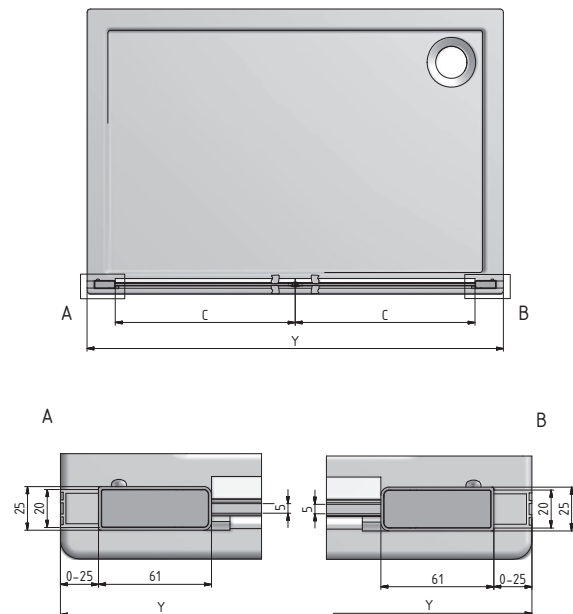
Variant	Y (mm)	C (mm)
800	780-815	690
900	880-915	790
1000	980-1015	890

## LYR4



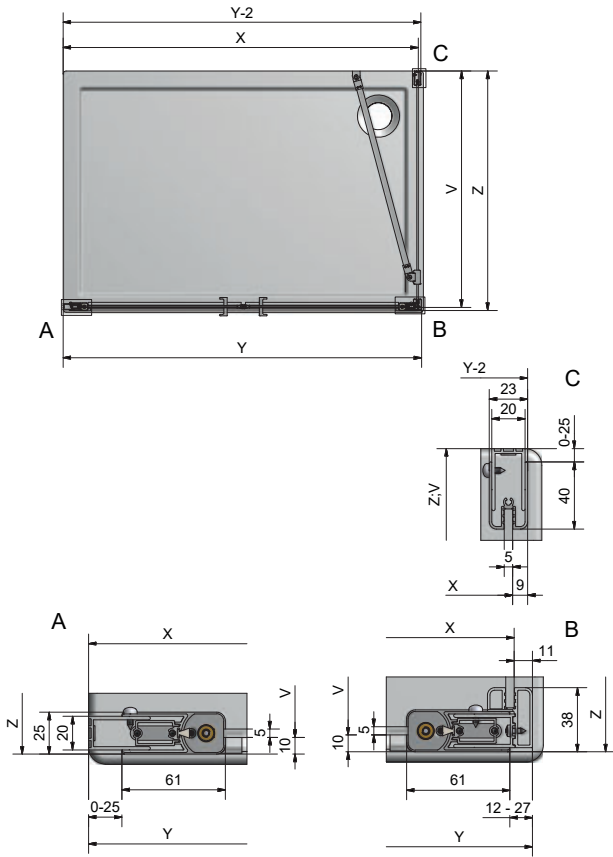
Variant	X (mm)	Y (mm)	S (mm)	C (mm)
800	758-783	767-792	243-268	395
900	858-883	867-892	343-368	395
1000	958-983	967-992	443-468	395

## LYP2



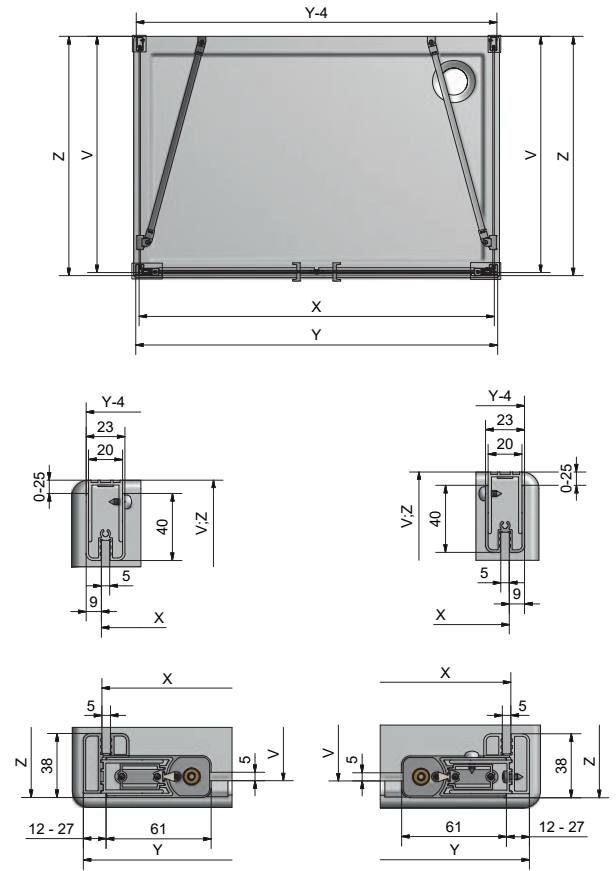
Variant	Y (mm)	C (mm)
800	760-810	320
900	860-910	370
1000	960-1010	420
1100	1060-1110	470
1200	1160-1210	520

■ LYP2 + LYSW1AP2



Variant	X (mm)	Y (mm)	V (mm)	Z (mm)
750	-	-	725-750	735-760
800	749-789	760-800	775-800	785-810
900	849-889	860-900	875-900	885-910
1000	949-989	960-1000	975-1000	985-1010
1100	1049-1089	1060-1100	-	-
1200	1149-1189	1160-1200	-	-

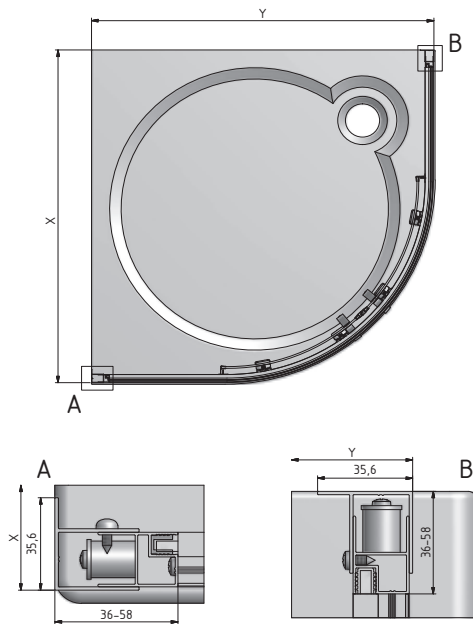
■ LYSW1AP2 + LYP2 + LYSW1AP2



Variant	X (mm)	Y (mm)	V (mm)	Z (mm)
750	-	-	725-750	735-760
800	762-792	784-814	775-800	785-810
900	862-892	884-914	875-900	885-910
1000	962-992	984-1014	975-1000	985-1010
1100	1062-1092	1084-1114	-	-
1200	1162-1192	1184-1214	-	-

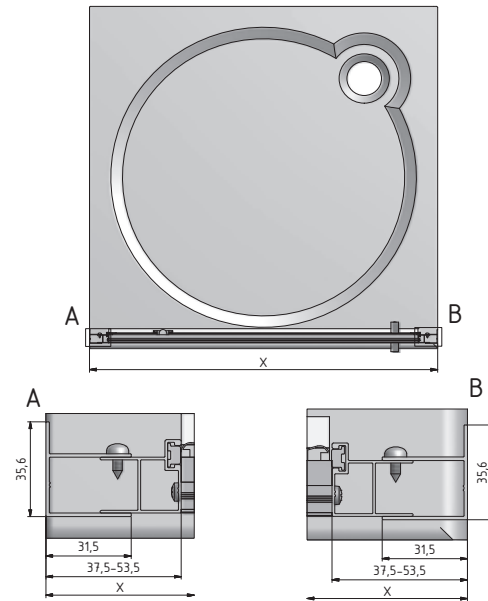


## ■ LLR2



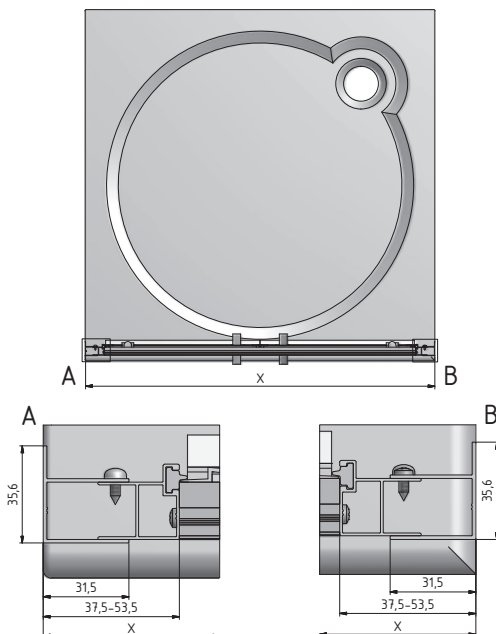
Variant	X (mm)	Y (mm)
800	776-798	776-798
900	876-898	876-898

## ■ LLD01



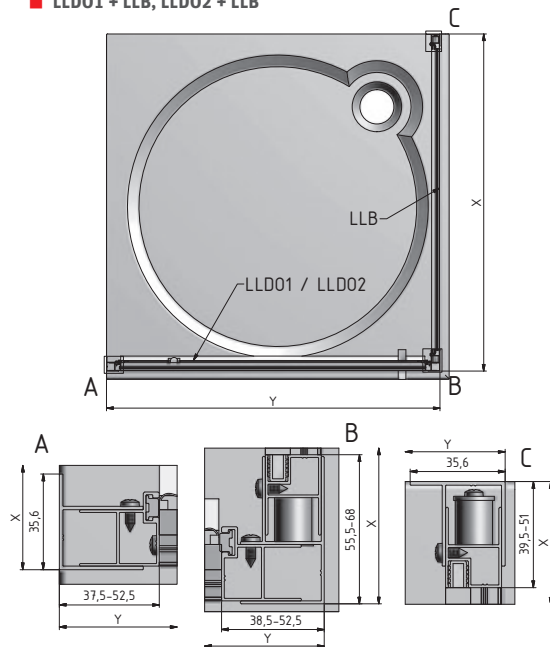
Variant	X (mm)
700	675-707
800	775-807
900	875-907
1000	975-1007

## ■ LLD02



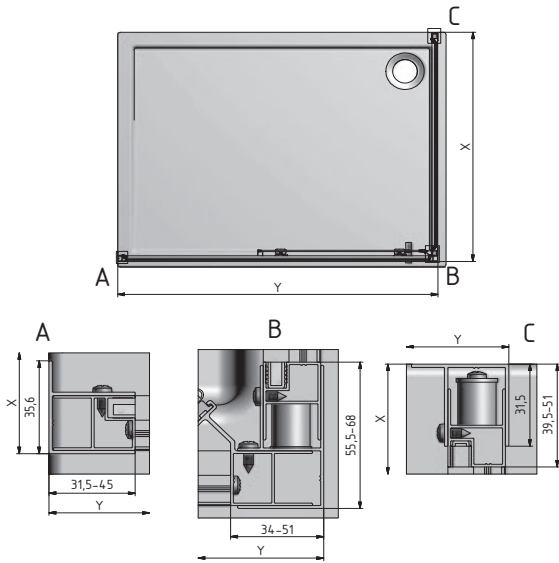
Variant	X (mm)
700	672-704
800	772-804
900	872-904
1000	972-1004

## ■ LLD01 + LLB, LLD02 + LLB



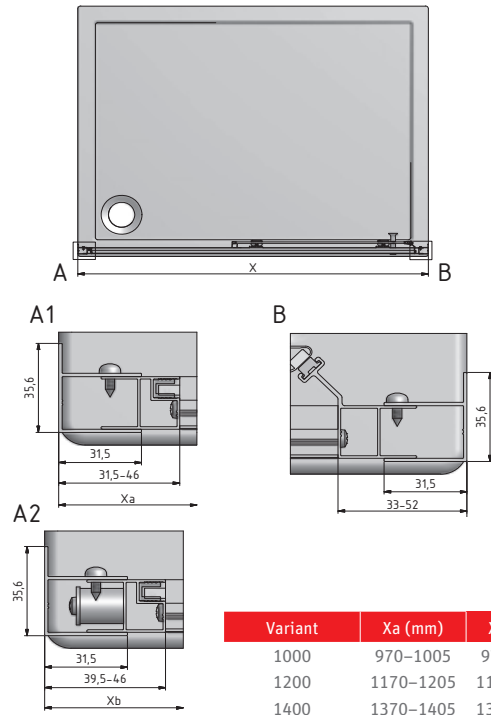
Variant	X (mm)	Y (mm)
700	679-705	675-705
750	729-755	-
800	779-805	775-805
900	879-905	875-905
1000	979-1005	975-1005

### ■ LLD2 + LLB



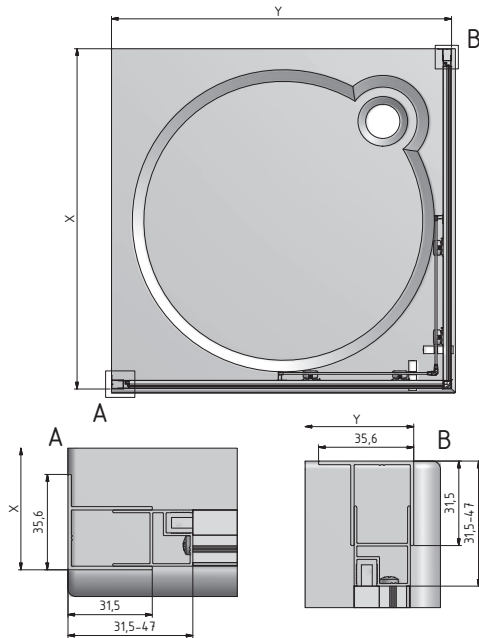
Variant	X (mm)	Y (mm)
700	679-705	-
750	729-765	-
800	779-805	-
900	879-905	-
1000	979-1005	970-1005
1200	-	1170-1205
1400	-	1370-1405
1600	-	1570-1605

### ■ LLD2



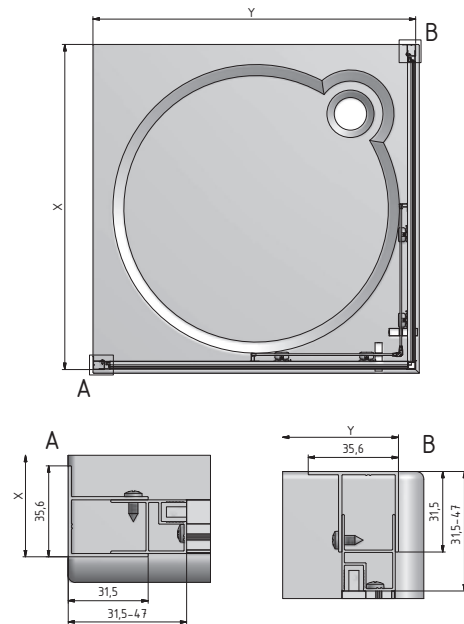
Variant	Xa (mm)	Xb (mm)
1000	970-1005	978-1005
1200	1170-1205	1178-1205
1400	1370-1405	1378-1405
1600	1570-1605	1578-1605
1700	1670-1705	1678-1705
1800	1770-1805	1778-1805

### ■ LLS2 - pre-assembled



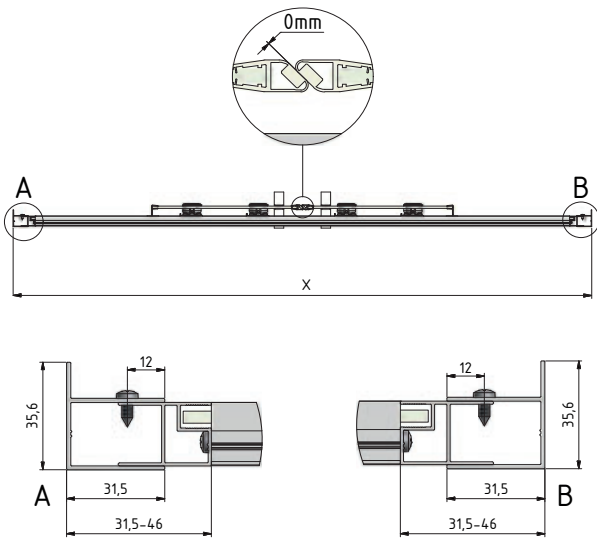
Variant	X (mm)	Y (mm)
800x800	775-790	775-790
900x900	875-890	875-890

### ■ LLS2 - standard



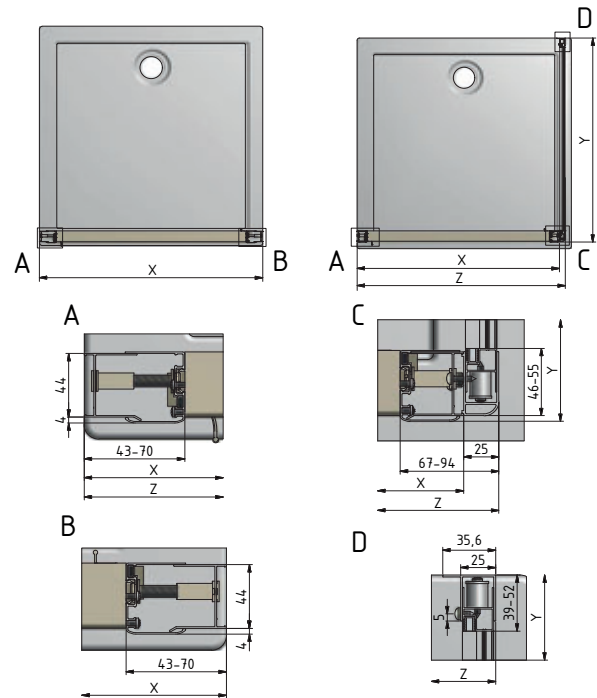
Variant	X (mm)	Y (mm)
1000x800 (800x1000)	975-990 (775-790)	775-790 (975-990)
1200x800 (800x1200)	1175-1190 (775-790)	775-790 (1175-1190)
1200x900 (900x1200)	1175-1190 (875-890)	875-890 (1175-1190)

■ LLD4



Variant	X (mm)
1100	1080-1110
1200	1180-1210
1300	1280-1310
1400	1380-1410
1500	1480-1510
1600	1580-1610

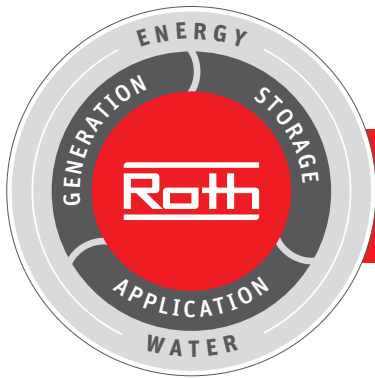
■ PD3N + LLBD



PD3N	X (mm)	Z (mm)	LLBD	Y (mm)
800	750-805	775-830	700	675-695
900	850-905	875-930	750	725-745
1000	950-1005	975-1030	800	775-795
			900	875-895
			1000	975-995

# Roth





## Roth Energy and Sanitary Systems

### Generation

- Solar systems <
- Heat pump systems <

### Storage

- Storage systems for
- Domestic & heating water <
- Combustibles and biofuels <
- Rainwater and waste water <

### Application

- > Radiant heating and cooling systems
- > Pipe installation systems
- > Shower systems



#### Roth Czech s.r.o.

Třebořov 160  
569 33 Czech Republic  
tel.: +420 461 353 611  
e-mail: [objednavky@roth-czech.cz](mailto:objednavky@roth-czech.cz)  
[www.roth-czech.cz/en](http://www.roth-czech.cz/en)